



# PARTS CATALOG

Published

2010/6 (Jun.)

---

0CR10-G57500

# PREFACE

- 1.This Parts Catalog carries all parts incorporated in YANMAR Model 2TNV70-NBK, 2TNV70-HGE engine manufactured since December, 2004.
- 2.Each illustration corresponds to the parts list on the following page.
- 3.When ordering parts,clearly write down the engine model and serial number,as well as the name and number of each part in your order sheet. This will help insure reliable delivery of the parts you have ordered.

## Directions for the Parts Catalog.

1. The parts stipulated in this Parts Catalog are not necessarily standard equipped parts.
2. Parts may change without prior notice.
3. The following is an example of the Parts Catalog format.

REF.	LEV.	PARTS NO.	DESCRIPTION	Q'TY						I	R
				(A)	(B)	(C)	(D)	(E)	(F)		
1	1	729595-51390	FUEL INJECTION PUMP	1	1	1	1	1			1
1-1	1	729595-51391	FUEL INJECTION PUMP	1	1	1	1	1		N	1
		(A=E00185) (B=E00200)									
3	2	26022-060162	SCREW M 6X 16	9	9	9	9	9			
3-1	2	26022-060162	SCREW M 6X 16	4	4	4	4	4		K	
		(A=E00156) (B=E00156) (C=E00156) (D=E00156) (E=E00156)									
4	2	129470-51040	CAMSHAFT	1	1	1	1	1			
5	2	122710-51050	BEARING, ROLLER	2	2	2	2	2			
6	2	129470-51060	RETAINER	1	1	1	1	1			

Remarks
(1) BOOST COMPEMSATOR TYPE. OPTIONAL PART, TO E00155,(4JH-DT, 4JH-DTZ

### ① Ref. No.

The Ref. No. listed may not be in accordance with the illustration Ref. No.

(Ex.) Illustration No.

List Ref No.

1

1

(Before change)

1-1

(After change)

For interchangeable symbols N, R and K, illustrations for new parts may be abbreviated.

### ② Lev. (Level)

Level indication

The numbers below indicate the level of relativity towards the main part.

1 ----- Main parts (Assembly parts)

2 ----- Sub component included in " 1 ".

3 ----- Sub component included in " 2 ".

Note) Parts that are not for sale are partially illustrated but not listed.

### ③ Interchangeability Mark

When a part change takes place, one of the following interchangeability symbols is indicated beside the part.

Symbol	Interchangeability	Contents note
N	Old $\begin{matrix} \leftarrow \text{Yes} \\ \text{No} \rightarrow \end{matrix}$ New	New Part is interchangeable for Old Part but Old Part is not interchangeable for New Part.
Q	Old $\begin{matrix} \leftarrow \text{No} \\ \text{Yes} \rightarrow \end{matrix}$ New	New Part is not interchangeable for Old Part but Old Part is interchangeable for New Part.
R	Old $\begin{matrix} \leftarrow \text{Yes} \\ \text{Yes} \rightarrow \end{matrix}$ New	New/ Old Parts are both interchangeable.
S	Old $\begin{matrix} \leftarrow \text{No} \\ \text{No} \rightarrow \end{matrix}$ New	New/ Old Parts are both not interchangeable.
W		Part discontinued.
Z		Part newly added.
F		Not interchangeable by a single part but interchangeable together with related parts.
K		Changes only for used parts quantities.

### ④ Effective Machine No.

When a part changes, the effective Machine No. will be indicated in the (A)-(F) column.

Product Symbol	Product No.	Product Symbol	Product No.
C	Clutch No. Compressor No.	F	Machine No. (Agricultural Equip.)
D	Drive No.	M	Machine No.
E	Engine No.	Note 1)	Date

Note 1) A date may follow the symbol. (Ex.) 1996.01

Note 2) " XXX " are for parts that could not be predicted or for engine models that could not be identified.

Note 3) (A=E00185) is the E (Engine Serial Number) for the column (A) model (in this case 4JH-DT) after the parts design change.

### ⑤ Remarks Mark

Figures or alphabets (symbols) are entered in the remarks column.

The comments (remarks) on parts that are indicated at the bottom of the illustration are the same symbols as those stated above.

# CONTENTS

MODEL : 2TNV70-NBK,HGE

PC NO : 0CR10-G57500

Fig.No. GROUP NAME  
ENGINE SECTION 2TNV70-NBK,HGE

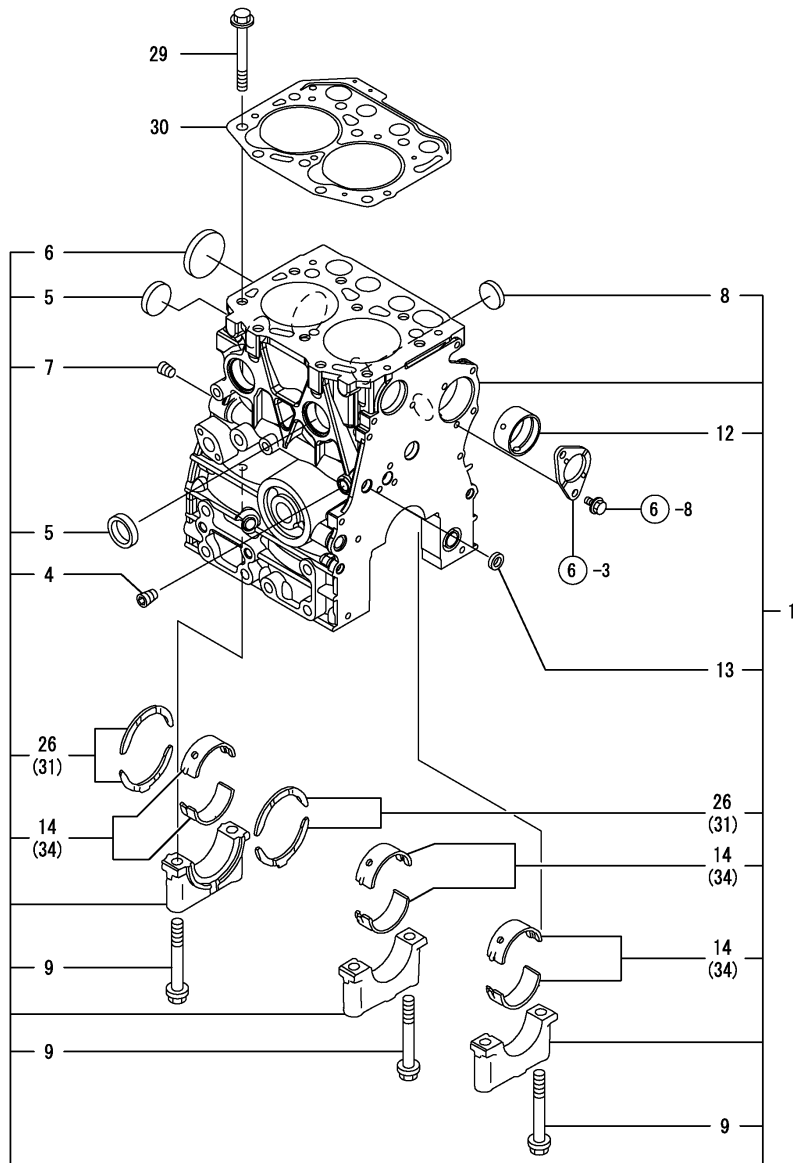
1. CYLINDER BLOCK
2. GEAR HOUSING
3. FLYWHEEL HOUSING & OIL SUMP
4. CYLINDER HEAD & BONNET
5. EXHAUST MANIFOLD
6. CAMSHAFT & DRIVING GEAR
7. CRANKSHAFT & PISTON
8. LUB.OIL SYSTEM
9. COOLING WATER SYSTEM
10. FUEL INJECTION PUMP
11. GOVERNOR
12. FUEL INJECTION VALVE
13. FUEL LINE
14. STARTING MOTOR
15. GENERATOR
16. GASKET SET

Fig.No. GROUP NAME

Fig.1. CYLINDER BLOCK

(A)=2TNV70-NBK  
(B)=2TNV70-HGE  
(C)=

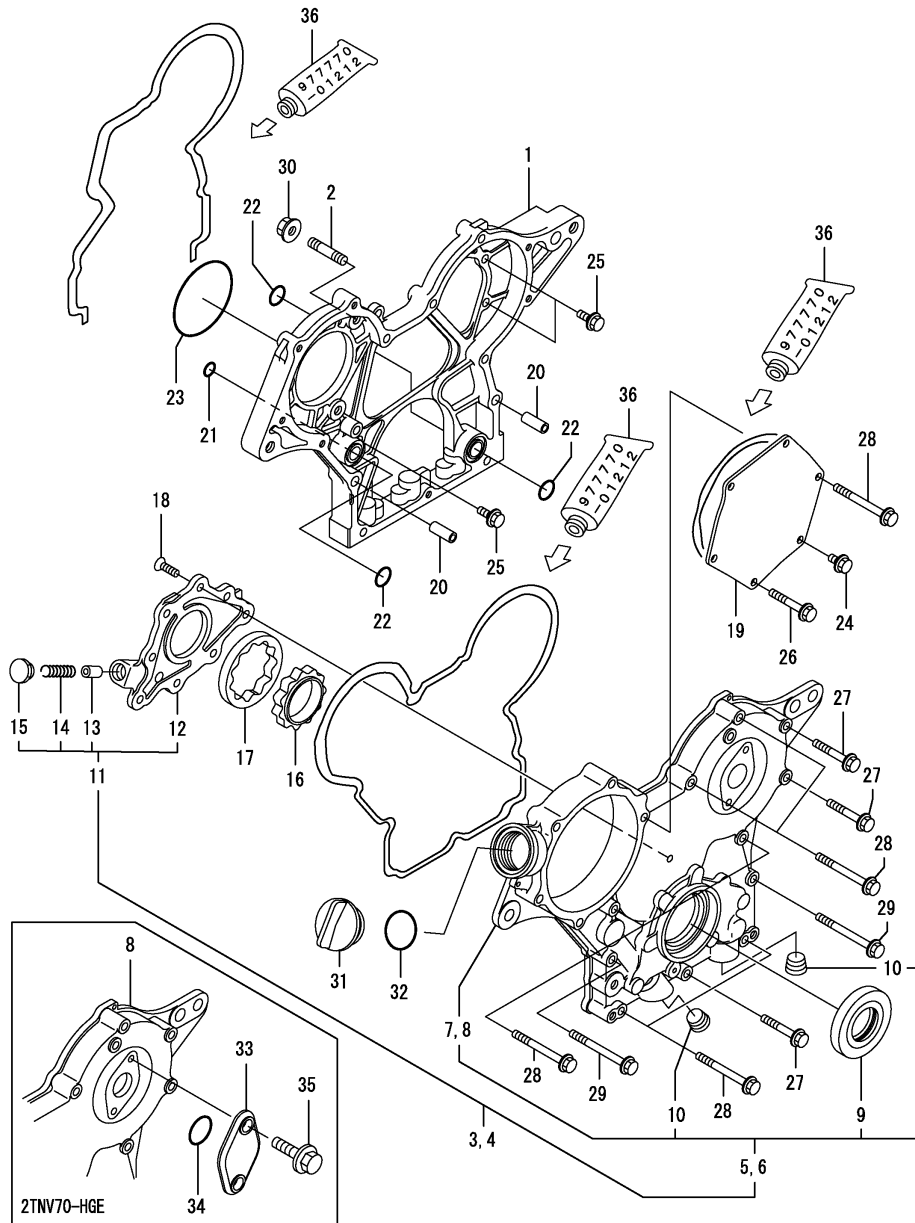
(D)=  
(E)=  
(F)=



REF.	LEV.	PARTS NO.	DESCRIPTION	Q'TY						I	R
				(A)	(B)	(C)	(D)	(E)	(F)		
1	1	719415-01560	BLOCK ASSY, CYLINDER	1	1						
4	2	124060-01050	PLUG PT1/8	1	1						
5	2	105311-01090	PLUG 30 (SUS)	3	3						
6	2	119623-01250	PLUG 45	1	1						
7	2	124160-01910	PLUG PT1/4	1	1						
8	2	119285-01990	PLUG 25	2	2						
9	2	119620-02020	BOLT	6	6						
12	2	119717-02410	BUSH, CAMSHAFT	1	1						
13	2	27241-120000	PLUG 12	1	1						
14	2	719717-02900	MAIN BEARING SET	3	3						1
26	2	119717-02930	BEARING, THRUST	2	2						
29	1	119515-01200	BOLT, CYLINDER HEAD	10	10						
30	1	119415-01330	GASKET, CYL.HEAD	1	1						
31	1	119810-02940	BEARING,THRUST .25OS	2	2						2
34	1	719717-02910	MAIN METAL US=0.25	3	3						3

Remarks  
 (1)REPAIR PART.  
 (2)OVER SIZED(O.S.=0.25)PART.  
 (3)UNDER SIZED(U.S.=0.25)PART.

Fig.2. GEAR HOUSING



(A)=2TNV70-NBK  
(B)=2TNV70-HGE  
(C)=

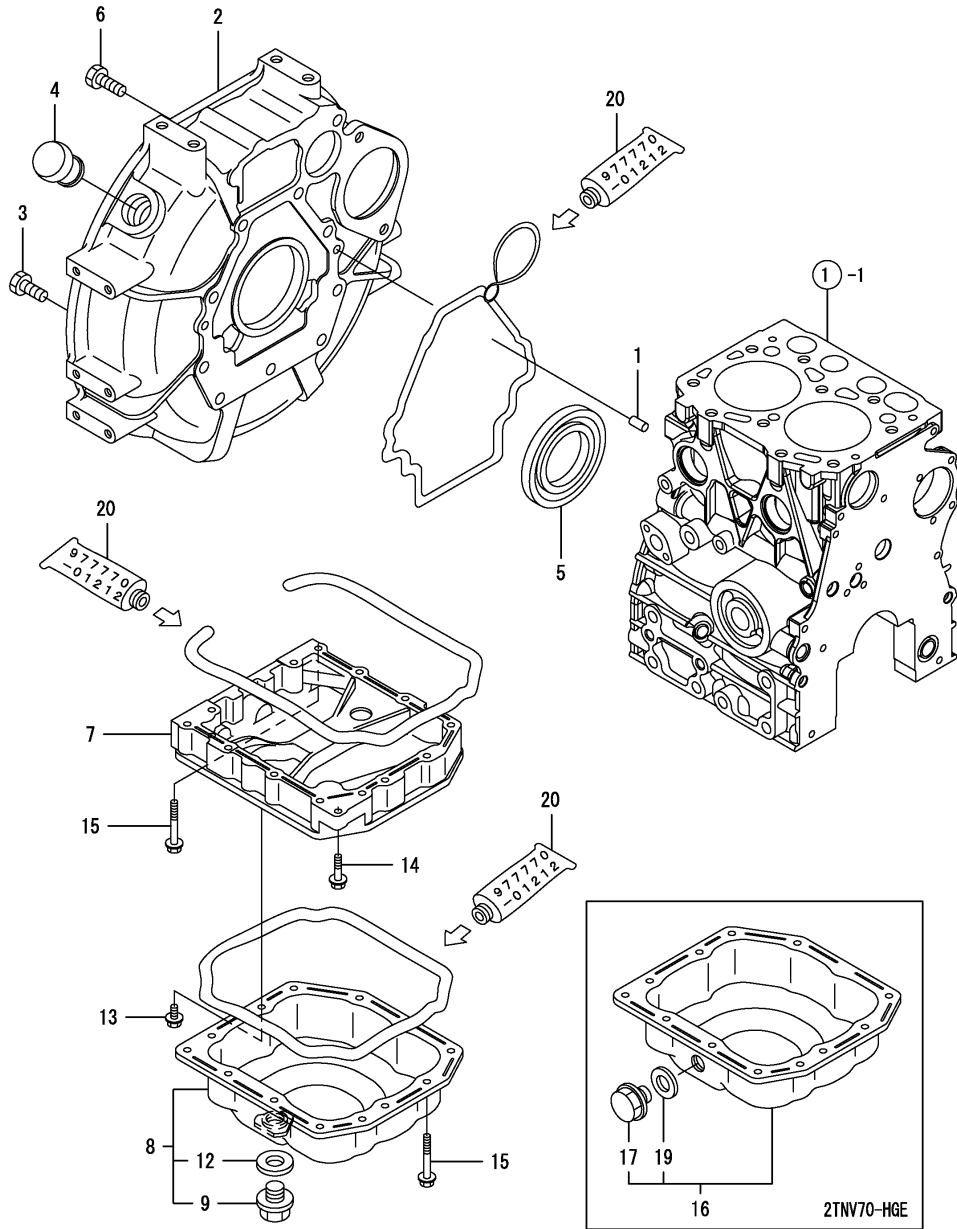
(D)=  
(E)=  
(F)=

REF.	LEV.	PARTS NO.	DESCRIPTION	QTY						I	R
				(A)	(B)	(C)	(D)	(E)	(F)		
1	1	119717-01501	CASE, GEAR	1	1						
2	1	119717-01570	BOLT, STUD M8	3	3						
3	1	119717-01590	COVER ASSY, GEAR CASE	1							
4	1	119744-01590	COVER ASSY, GEAR CASE		1						
5	2	719717-01500	COVER ASSY, GEAR CASE	1							
6	2	719744-01500	COVER ASSY, GEAR CASE		1						
7	3	119717-01521	COVER, GEAR CASE	1							
8	3	119744-01521	COVER, GEAR CASE		1						
9	3	119620-01800	SEAL, OIL	1	1						
10	3	23876-030000	PLUG PT3/8, SCREW	2	2						
11	2	119717-32100	COVER ASSY, PUMP	1	1						
12	3	119717-32080	COVER, LUB.OIL PUMP	1	1						
13	3	129900-32130	VALVE, RELIEF	1	1						
14	3	129001-32320	SPRING	1	1						
15	3	129001-32330	PLUG	1	1						
16	2	119717-32110	ROTOR, INNER	1	1						
17	2	119717-32120	ROTOR, OUTER	1	1						
18	2	119802-32130	SCREW, M6X16	8	8						
19	1	119717-01750	COVER, PUMP TIMING	1	1						
20	1	119660-01911	PIPE, KNOCK	4	4						
21	1	119624-32040	O-RING P 12.0	1	1						
22	1	119717-32050	O-RING, P17.0	3	3						
23	1	121850-51960	O-RING, F.I.PUMP	1	1						
24	1	26106-060122	BOLT M 6X 12 PLATED	1	1						
25	1	26106-060162	BOLT M 6X 16 PLATED	4	4						
26	1	26106-060402	BOLT M 6X 40 PLATED	4	4						
27	1	26106-060402	BOLT M 6X 40 PLATED	3	3						
28	1	26106-060602	BOLT M 6X 60 PLATED	7	7						
29	1	26106-060652	BOLT M 6X 65 PLATED	2	2						
30	1	26306-080002	NUT	3	3						
31	1	124160-01751	COVER, FILLER	1	1						
32	1	24311-000320	O-RING 1A P-32.0	1	1						
33	1	121023-01550	COVER, BLIND		1						
34	1	24341-000240	O-RING 1A S-24.0		1						
35	1	26106-060162	BOLT M 6X 16 PLATED		2						
36	1	977770-01212	GASKET, LIQUID	1	1						1

Remarks  
(1) OPTIONAL PART.

N:Old  $\begin{matrix} \text{Yes} \\ \text{No} \end{matrix}$  New, Q:Old  $\begin{matrix} \text{No} \\ \text{Yes} \end{matrix}$  New, R:Old  $\begin{matrix} \text{Yes} \\ \text{Yes} \end{matrix}$  New, S:Old  $\begin{matrix} \text{No} \\ \text{No} \end{matrix}$  New, W:Add, Z:Discontinued, F:Interchangeable by set, K:Q'ty Change

Fig.3. FLYWHEEL HOUSING & OIL SUMP



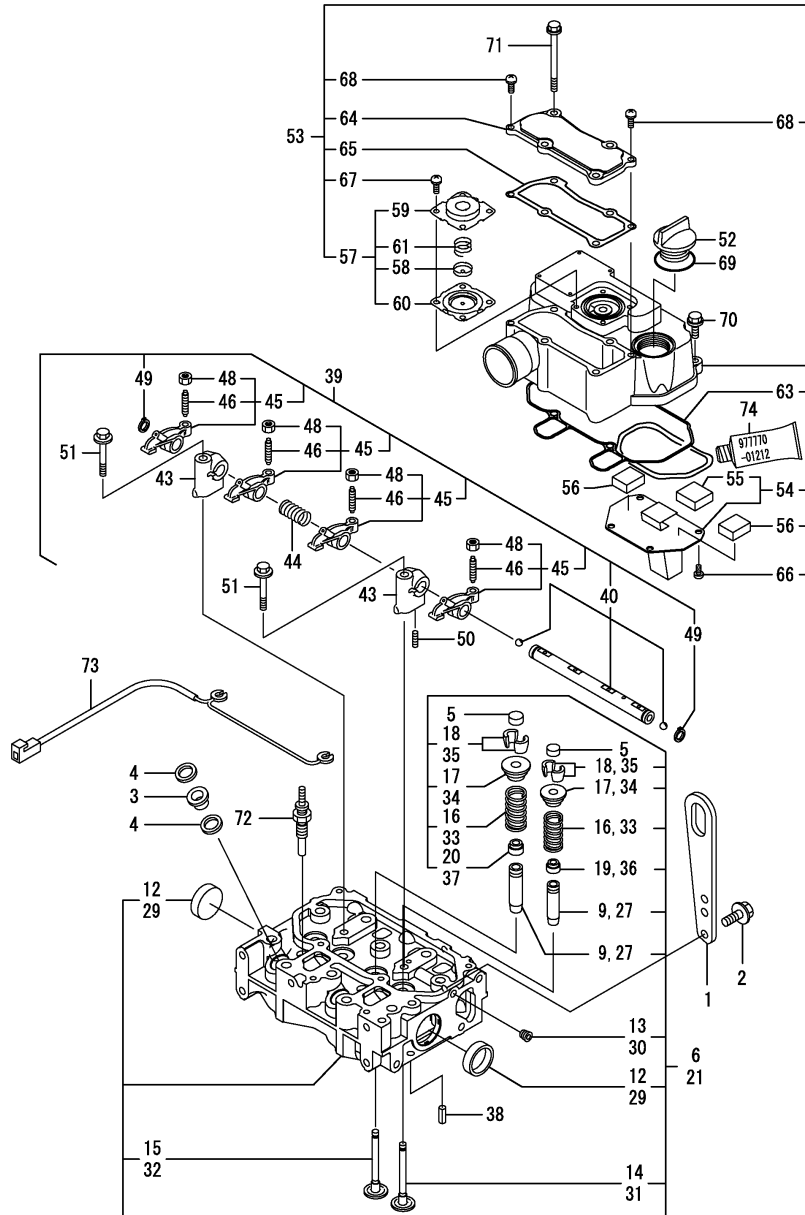
(A)=2TNV70-NBK  
(B)=2TNV70-HGE  
(C)=

(D)=  
(E)=  
(F)=

REF.	LEV.	PARTS NO.	DESCRIPTION	QTY						I	R
				(A)	(B)	(C)	(D)	(E)	(F)		
1	1	129100-01580	PARALLEL PIN 8X16	2	2						
2	1	119515-01601	HOUSING, FLYWHEEL	1	1						
3	1	121120-01620	BOLT M 10X 28	3	3						
4	1	119620-01750	CAP, FLYWHEEL COVER	1	1						
5	1	124085-02220	SEAL, OIL	1	1						
6	1	26206-100252	BOLT M10X25	7	7						
7	1	119415-01720	SPACER, OIL SUMP	1	1						
8	1	119440-01770	SUMP ASSY, LUB.OIL	1							
9	2	105425-01690	PLUG M16	1							
12	2	22190-160002	SEAL WASHER 16S	1							
13	1	26106-060122	BOLT M 6X 12 PLATED	1	1						
14	1	26106-060252	BOLT M 6X 25 PLATED	1	1						
15	1	26106-060452	BOLT M 6X 45 PLATED	13	13						
16	1	119446-01770	SUMP ASSY, LUB.OIL								
17	2	105425-01690	PLUG M16								
19	2	22190-160002	SEAL WASHER 16S								
20	1	977770-01212	GASKET, LIQUID	1	1						1

Remarks  
(1) OPTIONAL PART.

Fig.4. CYLINDER HEAD & BONNET



Remarks  
 (1) REPAIR PART.  
 (2) OPTIONAL PART.

OCR10-G57500 4. CYLINDER HEAD & BONNET

(A)=2TNV70-NBK  
 (B)=2TNV70-HGE  
 (C)=

(D)=  
 (E)=  
 (F)=

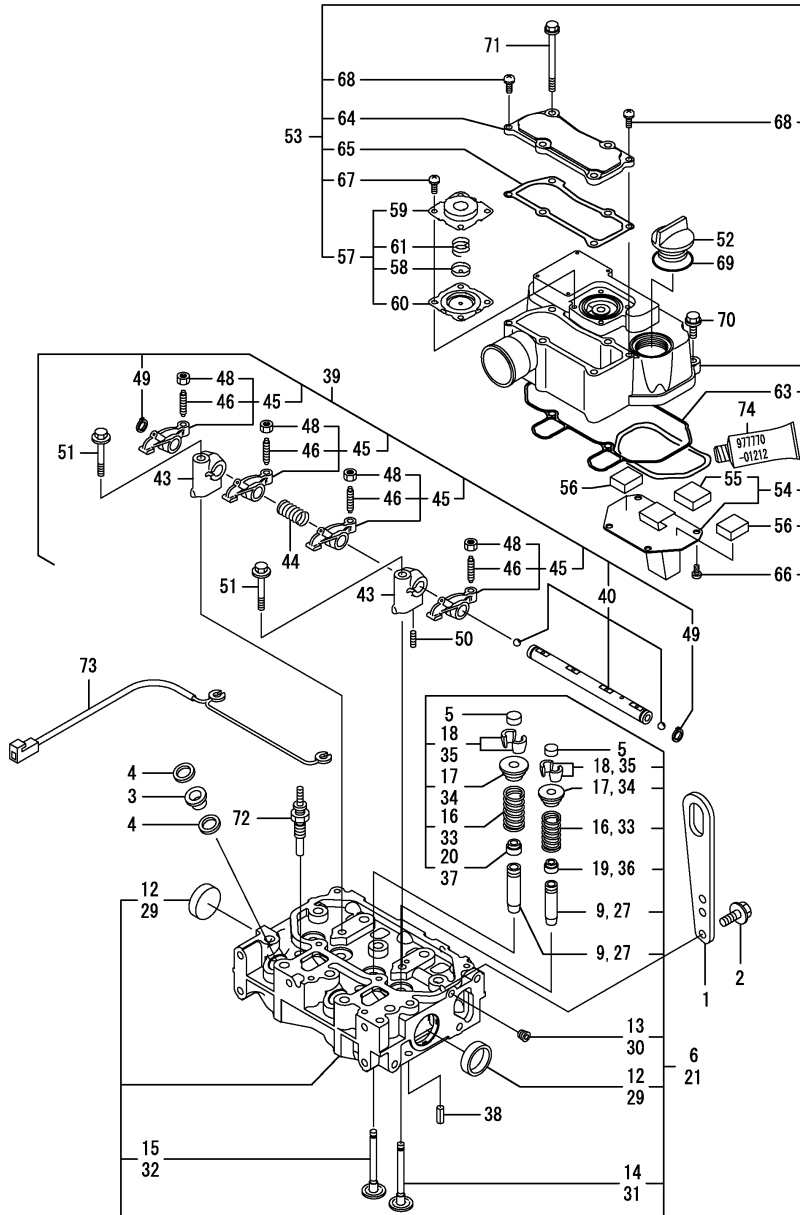
REF.	LEV.	PARTS NO.	DESCRIPTION	Q'TY						I	R
				(A)	(B)	(C)	(D)	(E)	(F)		
1	1	129900-07900	LIFTER, ENGINE	1	1						
2	1	26106-080162	BOLT M 8X 16 PLATED	2	2						
3	1	129901-11450	PROTECTOR, NOZZLE	2	2						
4	1	119600-11460	GASKET, NOZZLE	4	4						
5	1	105010-11490	CAP, VALVE	4	4						
6	1	119415-11740	HEAD ASSY, CYLINDER	1							
9	2	119515-11800	GUIDE, VALVE	4							1
12	2	119285-11990	PLUG 35	2							
13	2	23876-005000	PLUG PT 1/16,SCREW	1							
14	2	119515-11100	VALVE, INTAKE	2							
15	2	119515-11110	VALVE, EXHAUST	2							
16	2	119717-11131	SPRING, VALVE	4							
17	2	129508-11180	RETAINER, SPRING	4							
18	2	119717-11190	COTTER, VALVE	8							
19	2	119717-11340	SEAL, VALVE STEM	2							
20	2	119717-11350	SEAL, VALVE STEM	2							
21	1	119415-11750	HEAD ASSY, CYLINDER			1					
27	2	119515-11800	GUIDE, VALVE	4							1
29	2	119285-11990	PLUG 35	2							
30	2	23876-005000	PLUG PT 1/16,SCREW	1							
31	2	119515-11100	VALVE, INTAKE	2							
32	2	119515-11110	VALVE, EXHAUST	2							
33	2	119717-11131	SPRING, VALVE	4							
34	2	129508-11180	RETAINER, SPRING	4							
35	2	119717-11190	COTTER, VALVE	8							
36	2	119717-11340	SEAL, VALVE STEM	2							
37	2	119717-11350	SEAL, VALVE STEM	2							
38	1	22351-060012	SPRING PIN 6X12	2	2						
39	1	119415-11200	SUPPORT ASSY, ARM	1	1						
40	2	119415-11240	SHAFT ASSY, ROCKER	1	1						
43	2	119717-11260	SUPPORT, ROCKER ARM	2	2						
44	2	119515-11280	SPRING, SHAFT	1	1						
45	2	119717-11650	ARM ASSY, ROCKER	4	4						
46	3	129150-11230	SCREW, VALVE	4	4						
48	3	129150-11750	NUT M8XP1.0	4	4						
49	2	22242-000120	CIRCLIP 12	2	2						
50	2	26979-050162	SCREW M 5X16	1	1						
51	1	26106-080402	BOLT M 8X 40 PLATED	2	2						
52	1	124160-01751	COVER,FILLER	1	1						
53	1	119415-11380	BONNET ASSY, HEAD	1	1						
54	2	119717-03031	PLATE, BAFFLE	1	1						
55	3	119717-03070	BAFFLE, BREATHER	1	1						
56	2	119717-03070	BAFFLE, BREATHER	2	2						
57	2	119802-03100	DIAPHRAGM ASSY	1	1						
58	3	119802-03110	PLATE, DIAPHRAGM	1	1						
59	3	119802-03121	COVER, DIAPHRAGM	1	1						
60	3	119802-03131	DIAPHRAGM	1	1						
61	3	119802-03141	SPRING, DIAPHRAGM	1	1						
63	2	119415-11310	GASKET, BONNET	1	1						
64	2	119415-11320	PLATE, BAFFLE	1	1						
65	2	119415-11330	PLATE, BAFFLE	1	1						



Fig.4. CYLINDER HEAD & BONNET

(A)=2TNV70-NBK  
(B)=2TNV70-HGE  
(C)=

(D)=  
(E)=  
(F)=



REF.	LEV.	PARTS NO.	DESCRIPTION	Q'TY						I	R
				(A)	(B)	(C)	(D)	(E)	(F)		
66	2	22857-500100	SCREW 5X10,TAPPING	4	4						
67	2	22857-500100	SCREW 5X10,TAPPING	4	4						
68	2	22857-500160	SCREW 5X16	2	2						
69	1	24311-000320	O-RING 1A P-32.0	1	1						
70	1	26106-060202	BOLT M 6X 20 PLATED	2	2						
71	1	26106-060752	BOLT M 6X 75 PLATED	4	4						
72	1	119717-77800	PLUG, GLOW	2	2						
73	1	119415-77820	CONNECTOR, GLOW PLUG	1	1						
74	1	977770-01212	GASKET, LIQUID	1	1						2

Remarks  
(1) REPAIR PART.  
(2) OPTIONAL PART.

Fig.5. EXHAUST MANIFOLD

(A)=2TNV70-NBK  
(B)=2TNV70-HGE  
(C)=

(D)=  
(E)=  
(F)=

REF.	LEV.	PARTS NO.	DESCRIPTION	Q'TY						I	R
				(A)	(B)	(C)	(D)	(E)	(F)		
1	1	119415-13100	MANIFOLD, EXHAUST	1	1						
2	1	119415-13110	GASKET, MANIFOLD	1	1						
3	1	119717-13600	STUD, M8X50	2	2						
4	1	119802-13620	BOLT M 8X 50 PLATED	2	2						
5	1	119131-18320	BOLT M 8X 22	4	4						
6	1	26306-080002	NUT	2	2						
7	1	119515-13200	GASKET, SILENCER	1	1						

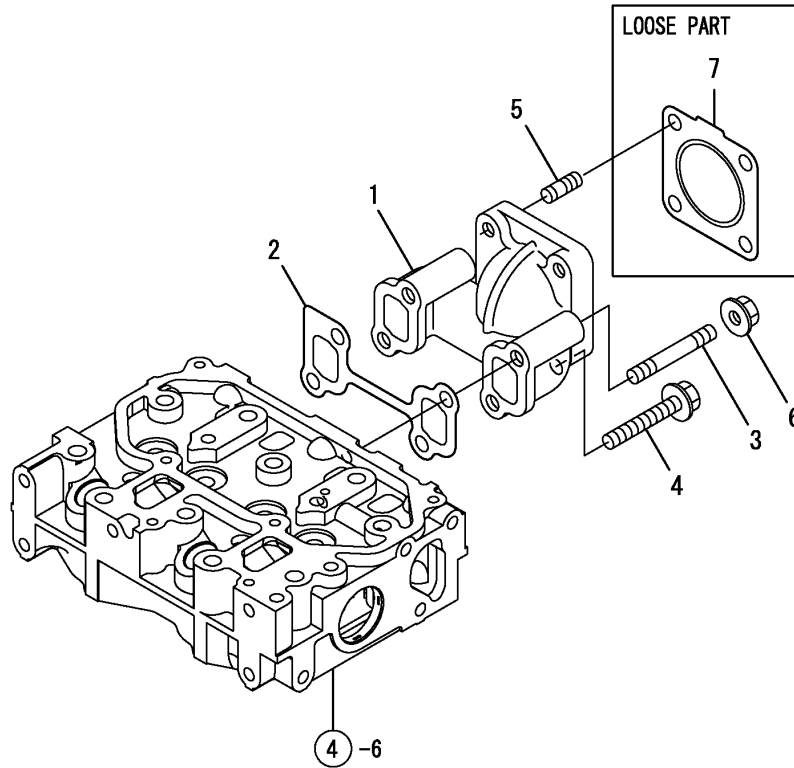
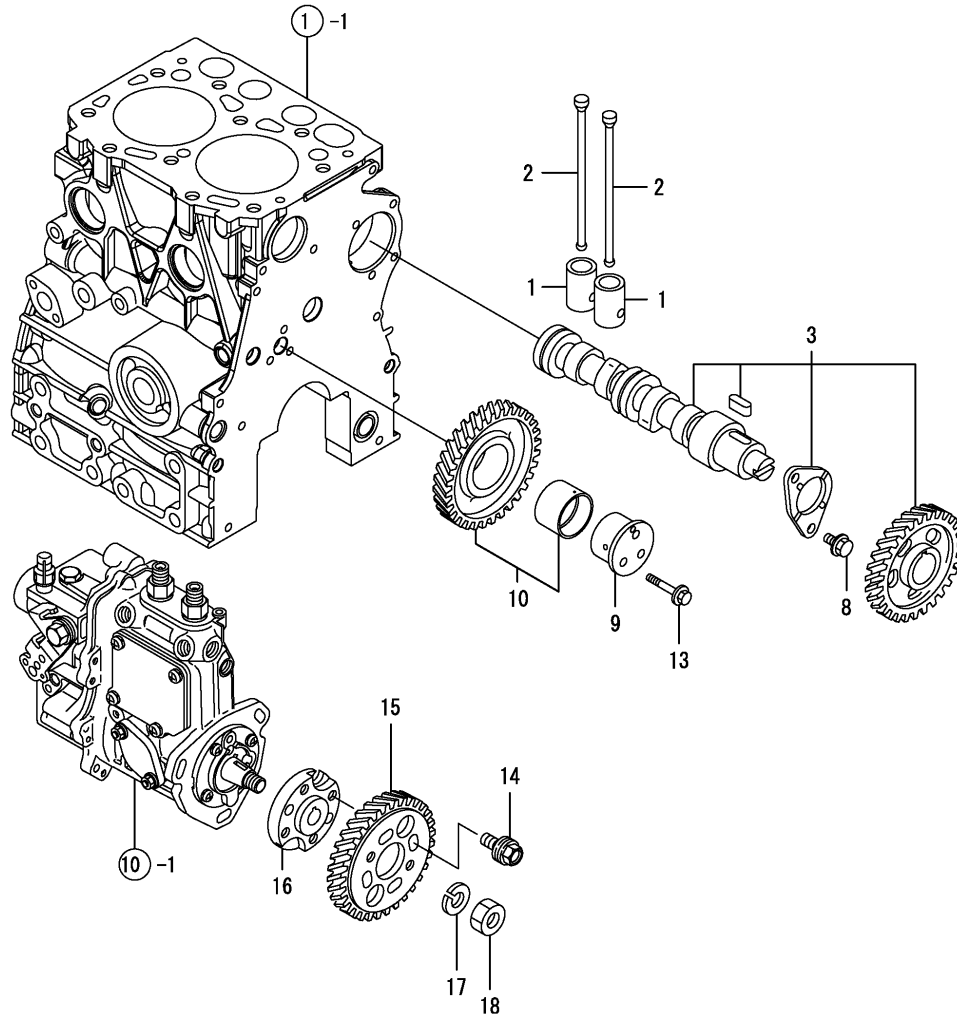


Fig.6. CAMSHAFT & DRIVING GEAR

(A)=2TNV70-NBK  
(B)=2TNV70-HGE  
(C)=

(D)=  
(E)=  
(F)=



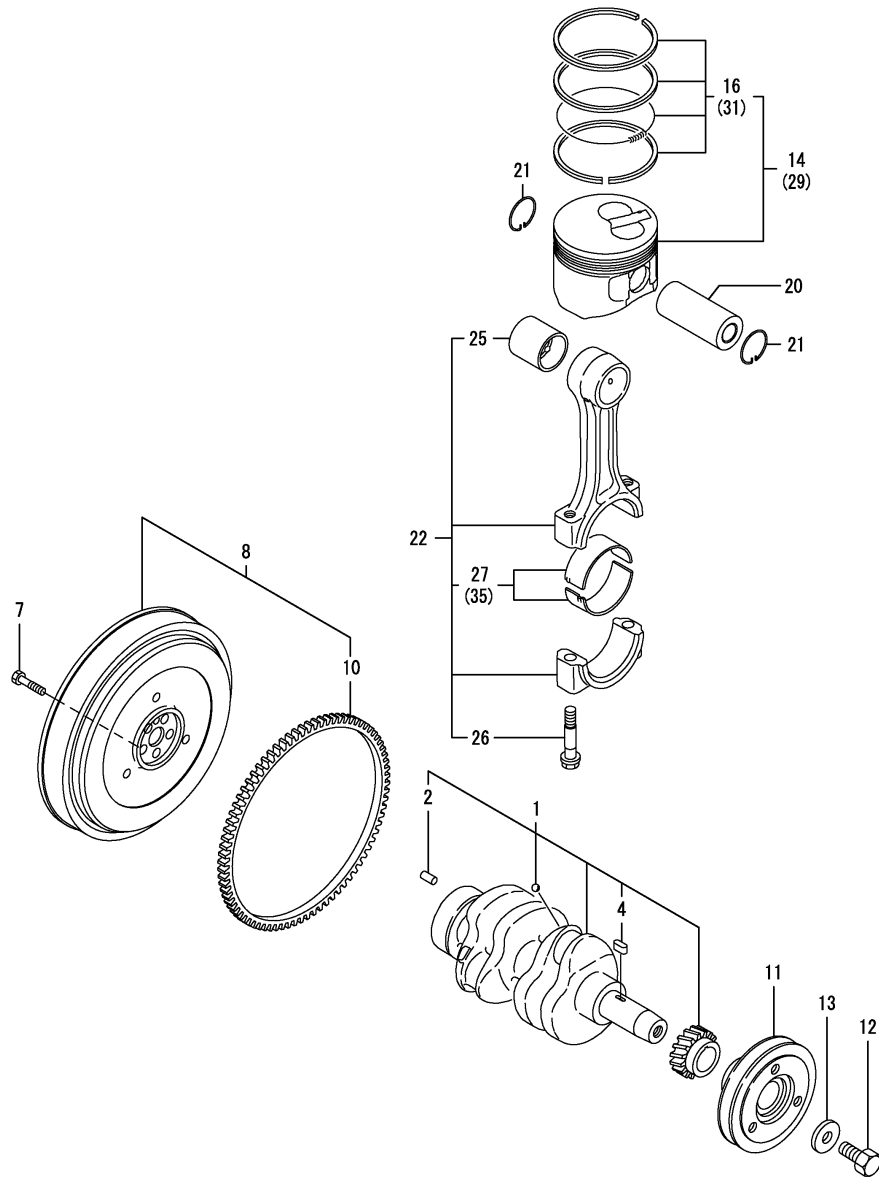
REF.	LEV.	PARTS NO.	DESCRIPTION	QTY						I	R
				(A)	(B)	(C)	(D)	(E)	(F)		
1	1	119620-14200	TAPPET	4	4						
2	1	119515-14400	ROD, PUSH	4	4						
3	1	119415-14580	CAMSHAFT ASSY	1	1						
8	1	26106-060122	BOLT M 6X 12 PLATED	2	2						
9	1	119717-25050	SHAFT, IDLE GEAR	1	1						
10	1	119717-25100	GEAR ASSY, IDLE	1	1						
13	1	26106-060352	BOLT M 6X 35 PLATED	3	3						
14	1	129150-25301	BOLT,FI-P	4	4						
15	1	119717-25930	GEAR, PUMP	1	1						
16	1	119717-51150	FLANGE	1	1						
17	1	22217-120000	SPRING WASHER 12	1	1						
18	1	26716-120002	NUT 12	1	1						

Fig.7. CRANKSHAFT & PISTON

OCR10-G57500 7. CRANKSHAFT & PISTON

(A)=2TNV70-NBK  
(B)=2TNV70-HGE  
(C)=

(D)=  
(E)=  
(F)=



REF.	LEV.	PARTS NO.	DESCRIPTION	Q'TY						I	R
				(A)	(B)	(C)	(D)	(E)	(F)		
1	1	119415-21700	CRANKSHAFT ASSY	1	1						
2	2	129100-01580	PARALLEL PIN 8X16	1	1						
4	2	22512-040120	KEY 4X 12	1	1						
7	1	119620-21500	BOLT, FLYWHEEL	5	5						
8	1	119415-21580	FLYWHEEL ASSY	1	1						
10	2	124950-21600	GEAR, RING	1	1						
11	1	119717-21650	V-PULLEY, CRANKSHAFT	1	1						
12	1	119621-21680	BOLT M12X1.25,FLANGE	1	1						
13	1	119620-21941	WASHER	1	1						
14	1	119515-22080	PISTON ASSY	2	2						
16	2	119515-22500	RING SET	2	2						
20	1	119515-22300	PIN, PISTON	2	2						
21	1	22252-000220	CIRCLIP 22	4	4						
22	1	119515-23000	ROD ASSY, CONNECTING	2	2						
25	2	119717-23910	BUSH, PISTON PIN	2	2						1
26	2	119717-23200	BOLT, CONNECTING ROD	4	4						
27	2	119515-23600	METAL ASSY,CRANK PIN	2	2						
29	1	119515-22900	PISTON ASSY(O.S=0.25)	2	2						2
31	2	119515-22550	RING SET (O.S=0.25)	2	2						2
35	1	119515-23610	BEARING,PIN US=0.25	2	2						3

Remarks

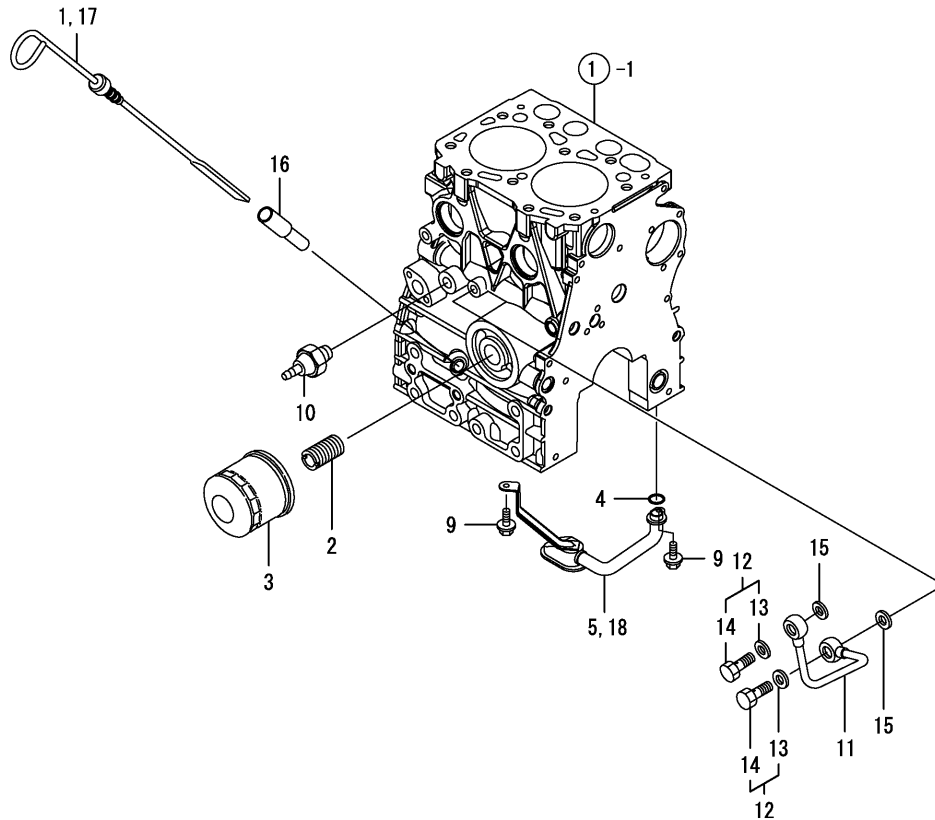
- (1) REPAIR PART.
- (2) OVER-SIZED(O.S.=0.25)PART.
- (3) UNDER-SIZED(U.S.=0.25)PART.

Fig.8. LUB.OIL SYSTEM

OCR10-G57500 8. LUB.OIL SYSTEM

(A)=2TNV70-NBK  
(B)=2TNV70-HGE  
(C)=

(D)=  
(E)=  
(F)=



REF.	LEV.	PARTS NO.	DESCRIPTION	QTY						I	R	
				(A)	(B)	(C)	(D)	(E)	(F)			
1	1	119415-34801	DIPSTICK	1								
2	1	129100-35140	STUD	1	1							
3	1	119305-35151	FILTER ASSY, LUB.OIL	1	1							1
4	1	119717-32060	O-RING, P15.0	1	1							
5	1	119415-35080	PIPE ASSY, LUB,OIL	1								
9	1	26106-060102	BOLT 6X 10 PLATED	2	2							
10	1	114250-39450	SWITCH,(0.5KG)L.O.	1	1							
11	1	119415-39210	PIPE ASSY, HYDRAULIC	1	1							
12	1	129005-59830	BOLT ASSY, JOINT	2	2							
13	2	22190-080002	SEAL WASHER 8S	2	2							
14	2	23857-030000	JOINT BOLT 3	2	2							
15	1	22190-080002	SEAL WASHER 8S	2	2							
16	1	121520-34810	GUIDE, DIPSTICK	1	1							
17	1	119446-34801	DIPSTICK									
18	1	119446-35080	PIPE ASSY, LUB,OIL									

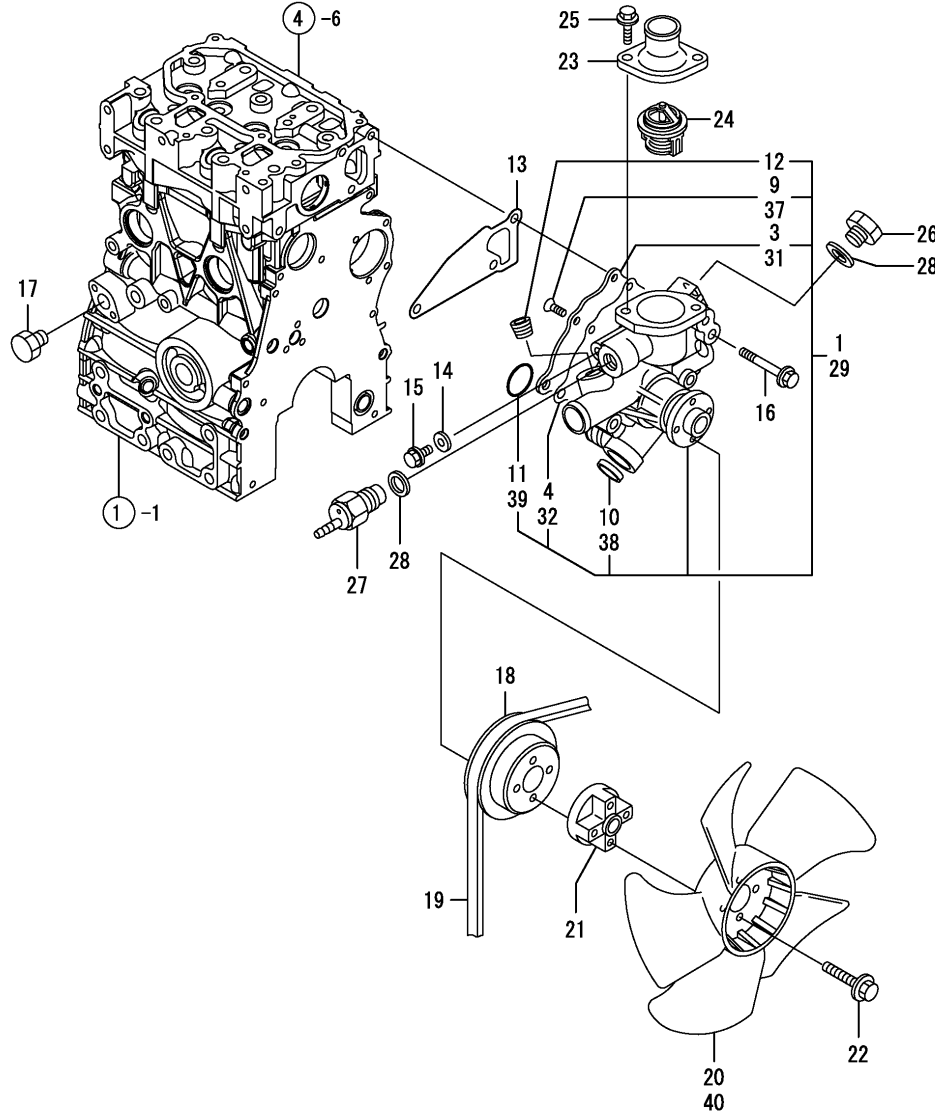
Remarks  
(1) REPAIR PART.

Fig.9. COOLING WATER SYSTEM

OCR10-G57500 9. COOLING WATER SYSTEM

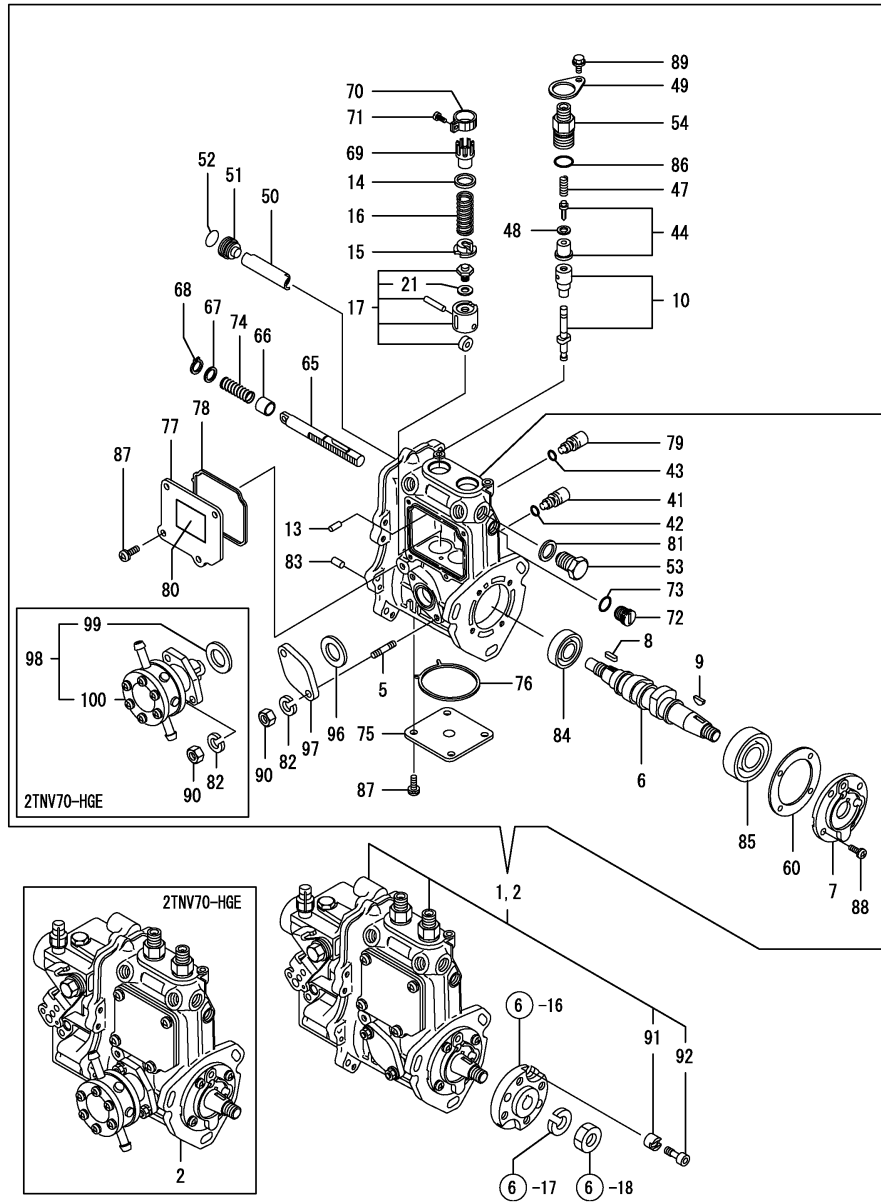
(A)=2TNV70-NBK  
(B)=2TNV70-HGE  
(C)=

(D)=  
(E)=  
(F)=



REF.	LEV.	PARTS NO.	DESCRIPTION	Q'TY						I	R
				(A)	(B)	(C)	(D)	(E)	(F)		
1	1	119540-42000	PUMP ASSY,WATER	1							
3	2	119515-42041	COVER	1							
4	2	119717-42031	GASKET	1							
9	2	26577-060122	SCREW M 6X 12	4							
10	2	27241-250000	PLUG 25	1							
11	2	119717-42320	O-RING	1							
12	2	129916-49740	PLUG, DRAIN R03	1							
13	1	119515-42020	GASKET, WATER PUMP	1	1						
14	1	23414-080000	GASKET 8, ROUND	1	1						
15	1	26106-080122	BOLT M 8X 12 PLATED	1	1						
16	1	26106-080502	BOLT M 8X 50 PLATED	3	3						
17	1	171056-49120	PLUG, DRAIN	1	1						
18	1	119515-42350	V-PULLEY, C.W.PUMP	1	1						
19	1	171001-42290	V-BELT (A-35.5)	1	1						
20	1	124450-44740	FAN, COOLING	1	1						
21	1	121267-44760	SPACER	1	1						
22	1	26106-060302	BOLT M 6X 30 PLATED	4	4						
23	1	129350-49530	COVER, THERMOSTAT	1	1						
24	1	119717-49800	THERMOSTAT, 71C	1	1						
25	1	26106-080202	BOLT M 8X 20 PLATED	2	2						
26	1	121450-42450	PLUG M16	1	1						
27	1	121250-44901	SWITCH, THERMO(110 C	1	1						
28	1	124465-44950	GASKET 16	2	2						
29	1	119515-42001	PUMP ASSY, WATER	1							
31	2	119515-42041	COVER		1						
32	2	119717-42031	GASKET		1						
37	2	26577-060122	SCREW M 6X 12		4						
38	2	27241-250000	PLUG 25		1						
39	2	119717-42320	O-RING		1						
40	1	119415-44740	FAN, D=260 VC		1						

Fig.10. FUEL INJECTION PUMP



Remarks  
 (1) GOVERNOR ASSY(FIG.11) IS  
 INCORPORATED IN THIS FOP.CMP  
 (REF.NO.1,2).

(A)=2TNV70-NBK  
 (B)=2TNV70-HGE  
 (C)=

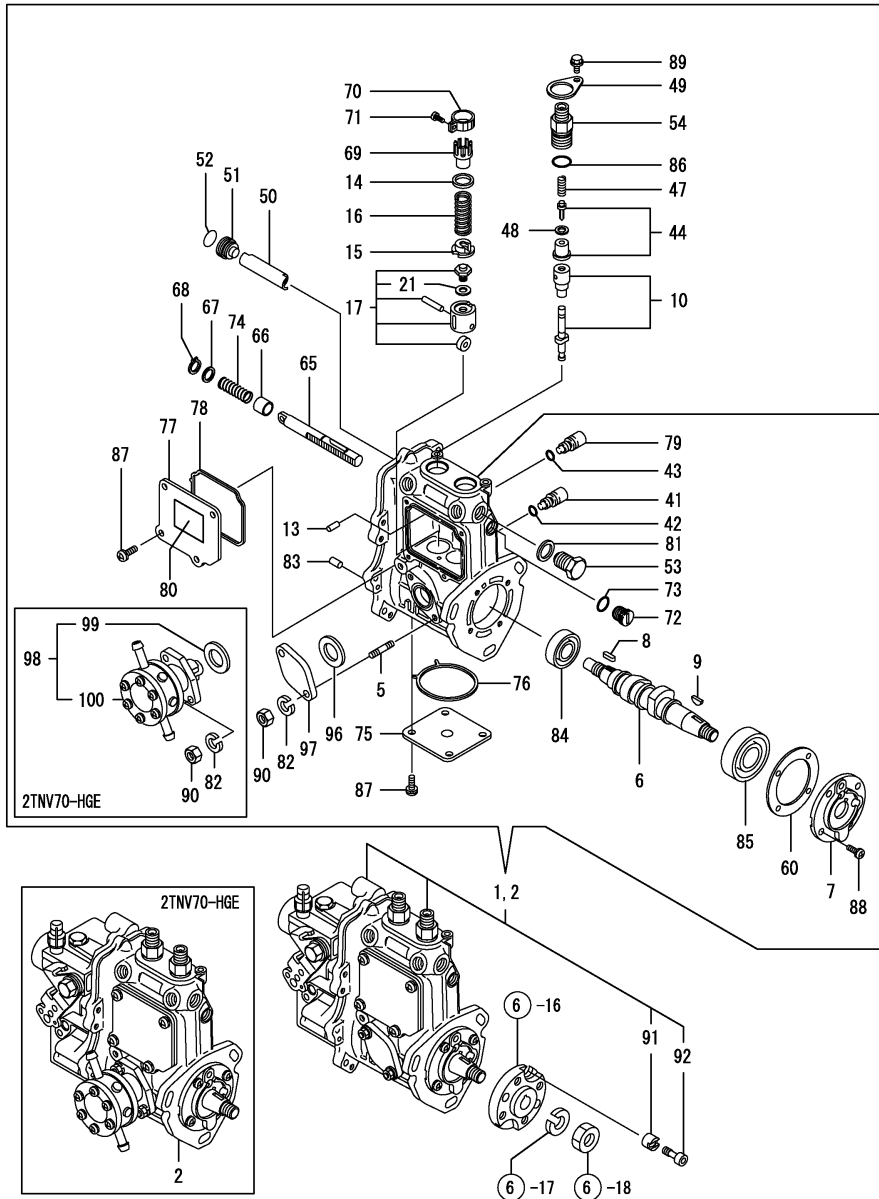
(D)=  
 (E)=  
 (F)=

REF.	LEV.	PARTS NO.	DESCRIPTION	QTY						I	R
				(A)	(B)	(C)	(D)	(E)	(F)		
1	1	719440-51350	FIE ASSY(2TNV70-NBK	1						1	
2	1	719446-51350	FIE ASSY(2TNV70-HGE		1						1
5	2	129155-51020	STUD, FEED PUMP	2	2						
6	2	119415-51030	CAMSHAFT	1	1						
7	2	119717-51060	SUPPORT, BEARING	1	1						
8	2	119717-51070	PARALLEL PIN	1	1						
9	2	122710-51090	KEY	1	1						
10	2	119515-51100	PLUNGER ASSY	2	2						
13	2	129155-51140	PIN, BARREL LOCKING	2	2						
14	2	158600-51170	SEAT SPRING	2	2						
15	2	119717-51180	RETAINER, SPRING	2	2						
16	2	119717-51190	SPRING, PLUNGER	2	2						
17	2	119717-51200	TAPPET ASSY	2	2						
21	3	129155-51600	SHIM PACK	1	1						
41	2	158600-51270	STOPPER	2	2						
42	2	129155-51280	O-RING S6	2	2						
43	2	129155-51280	O-RING S6	1	1						
44	2	119717-51300	VALVE ASSY, DELIVERY	2	2						
47	2	119717-51330	SPRING, DELIVERY	2	2						
48	2	124550-51350	GASKET, DELIVERY	2	2						
49	2	118400-51370	LOCKING	2	2						
50	2	119415-51400	PROTECTOR	1	1						
51	2	158600-51410	PLUG	1	1						
52	2	119717-51420	O-RING	1	1						
53	2	158600-51420	PLUG	1	1						
54	2	158600-51441	VALVE ASSY, DELIVERY	2	2						
60	2	129155-51450	SHIM SET, ADJUSTING	1	1						
65	2	119415-51500	RACK, CONTROL	1	1						
66	2	129155-51521	BUSH, RACK	1	1						
67	2	129155-51530	SPACER, AUX. SPRING	1	1						
68	2	129155-51540	CIRCLIP	1	1						
69	2	129155-51550	PINION, CONTROL	2	2						
70	2	129100-51560	PINION	2	2						
71	2	129100-51570	SCREW	2	2						
72	2	158600-51570	PLUG	1	1						
73	2	129155-51580	O-RING	1	1						
74	2	129155-51591	SPRING, RACK	1	1						
75	2	119415-51700	COVER,LOWER	1	1						
76	2	119415-51710	PACKING	1	1						
77	2	119415-51750	COVER, BODY SIDE	1	1						
78	2	119415-51760	GASKET	1	1						
79	2	158600-51790	GUIDE, RACK	1	1						
80	2	129156-51910	LABEL, CAUTION	1	1						
81	2	22190-160002	SEAL WASHER 16S	1	1						
82	2	22217-060000	SPRING WASHER 6	2	2						
83	2	22351-050010	SPRING PIN 5X10	2	2						
84	2	24101-060034	BALL BEARING	1	1						
85	2	24101-063034	BALL BEARING	1	1						
86	2	24316-000150	O-RING 4D P15	2	2						
87	2	26022-050122	SCREW M 5X 12	8	8						
88	2	26022-060162	SCREW M 6X 16	4	4						

Fig.10. FUEL INJECTION PUMP

(A)=2TNV70-NBK  
(B)=2TNV70-HGE  
(C)=

(D)=  
(E)=  
(F)=



REF.	LEV.	PARTS NO.	DESCRIPTION	QTY						I	R
				(A)	(B)	(C)	(D)	(E)	(F)		
89	2	26106-050102	BOLT M 5X 10 PLATED	2	2						
90	2	26716-060002	NUT 6	2	2						
91	2	119717-51480	COLLAR. FIC FIX	1	1						
92	2	119717-51490	BOLT, FIXATION	1	1						
96	2	129155-52051	GASKET	1							
97	2	129100-52200	COVER	1							
98	2	129100-52000	FEED PUMP ASSY					1			
99	3	129155-52051	GASKET					1			
100	3	129100-52101	PUMP ASSY, FUEL FEED					1			

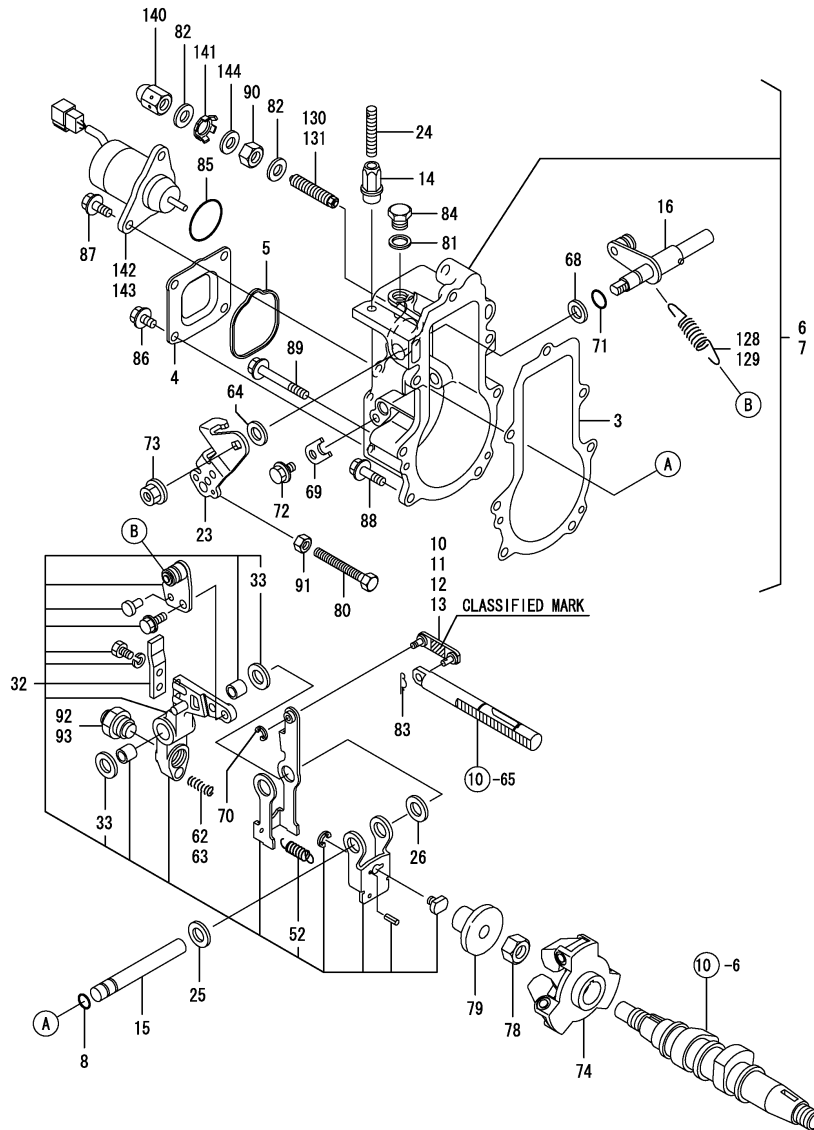
Remarks  
(1) GOVERNOR ASSY(FIG.11) IS  
INCORPORATED IN THIS FOP.CMP  
(REF.NO.1,2).



Fig.11. GOVERNOR

(A)=2TNV70-NBK  
(B)=2TNV70-HGE  
(C)=

(D)=  
(E)=  
(F)=



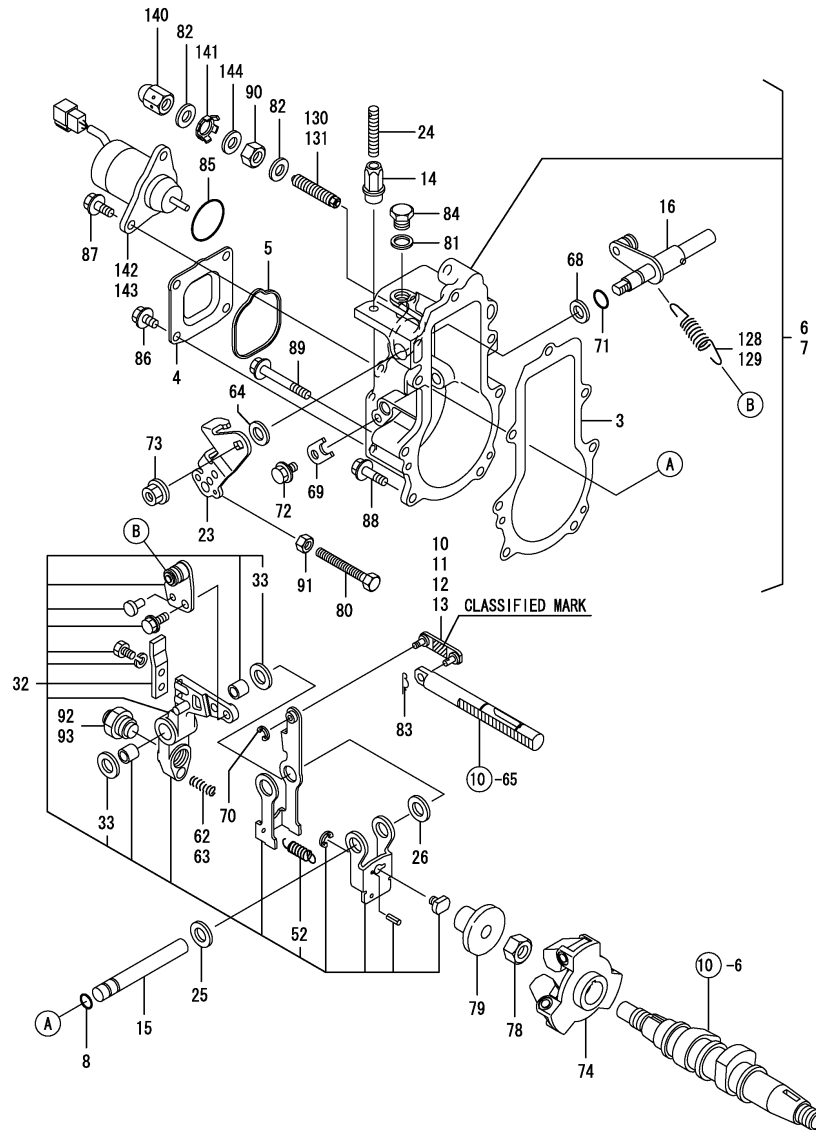
Remarks  
(1) SELECTIVE PARTS: CERTAIN THE CLASSIFICATION MARK, THEN PLACE YOUR ORDER. (REF. TO ILLUSTRATION).  
\* THIS FIGURE (GOVERNOR ASSY) IS INCORPORATED IN THE FUEL INJECTION PUMP ASSY (FIG. 10).

REF.	LEV.	PARTS NO.	DESCRIPTION	QTY						I	R
				(A)	(B)	(C)	(D)	(E)	(F)		
3	2	119717-61050	GASKET, CASE	1	1						
4	2	119717-61060	CASE, GOVERNOR	1	1						
5	2	119717-61070	GASKET, COVER	1	1						
6	2	119717-61100	CASE ASSY, GOVERNOR	1							
7	2	119515-61100	CASE ASSY, GOVERNOR		1						
8	3	129155-51280	O-RING S6	1	1						
10	3	119717-61120	LINK, CLASSIFIED MARK:3	1	1						1
11	3	119717-61130	LINK, L=29.8 :98	1	1						1
12	3	119717-61140	LINK, L=28.8 :88	1	1						1
13	3	119717-61150	LINK, L=30.3 :03	1	1						1
14	3	129209-61370	NUT M6	1	1						
15	3	129052-61390	SHAFT, GOV. LEVER	1	1						
16	3	119717-61400	SHAFT ASSY, CONTROL	1	1						
23	3	119515-61440	LEVER, CONTROL	1	1						
24	3	129155-61450	BOLT, REVOL. LIMIT	1	1						
25	3	129156-61460	SHIM T=0.6	1	1						
26	3	129155-61480	SPACER ASSY	1	1						
32	3	119717-61500	LEVER ASSY, GOVERNOR	1	1						
33	4	174307-51700	SHIM SET	2	2						
52	4	129486-61540	SPRING, SET	1	1						
62	3	129100-61650	SPRING, FUEL CONTROL	1							
63	3	129486-61650	SPRING		1						
64	3	158552-61700	SHIM ASSY	1	1						
68	3	158552-61710	SHIM T=1.0	1	1						
69	3	119660-61901	RETAINER, SHAFT	1	1						
70	3	22272-000030	CIRCLIP E-3	1	1						
71	3	24341-000070	O-RING 1A S-7.0	1	1						
72	3	26106-060102	BOLT 6X 10 PLATED	1	1						
73	3	26366-080002	NUT M 8	1	1						
74	2	119717-61200	WEIGHT ASSY	1	1						
78	2	119660-61300	NUT, GOVERNOR WEIGHT	1	1						
79	2	129155-61341	SLEEVE (L=25.5)	1	1						
80	2	129155-61460	BOLT, IDLE LIMIT	1	1						
81	2	22190-100002	SEAL WASHER 10S	1	1						
82	2	22190-120002	SEAL WASHER 12	2	2						
83	2	22372-040000	SNAP PIN 4	1	1						
84	3	23887-100002	PLUG 10	1	1						
85	2	24341-000280	O-RING 1A S-28.0	1	1						
85-1	2	158552-61900	O-RING	1	1						N
(A)=EXXXXXX (B)=EXXXXXX)											
86	2	26106-060102	BOLT 6X 10 PLATED	4	4						
87	2	26106-060142	BOLT M 6X 14 PLATED	2	2						
88	2	26106-060202	BOLT M 6X 20 PLATED	4	4						
89	2	26106-060452	BOLT M 6X 45 PLATED	3	3						
90	2	26736-120002	NUT M12	1	1						
91	2	26756-060002	LOCK NUT 6	1	1						
92	2	119740-61560	ANGLEICH ASSY	1							
93	2	119761-61560	ANGLEICH ASSY		1						
128	2	119718-61700	SPRING, GOVERNOR	1							
129	2	129100-61730	SPRING		1						
130	2	158601-61710	LIMITER ASSY, FUEL	1							

Fig.11. GOVERNOR

(A)=2TNV70-NBK  
(B)=2TNV70-HGE  
(C)=

(D)=  
(E)=  
(F)=

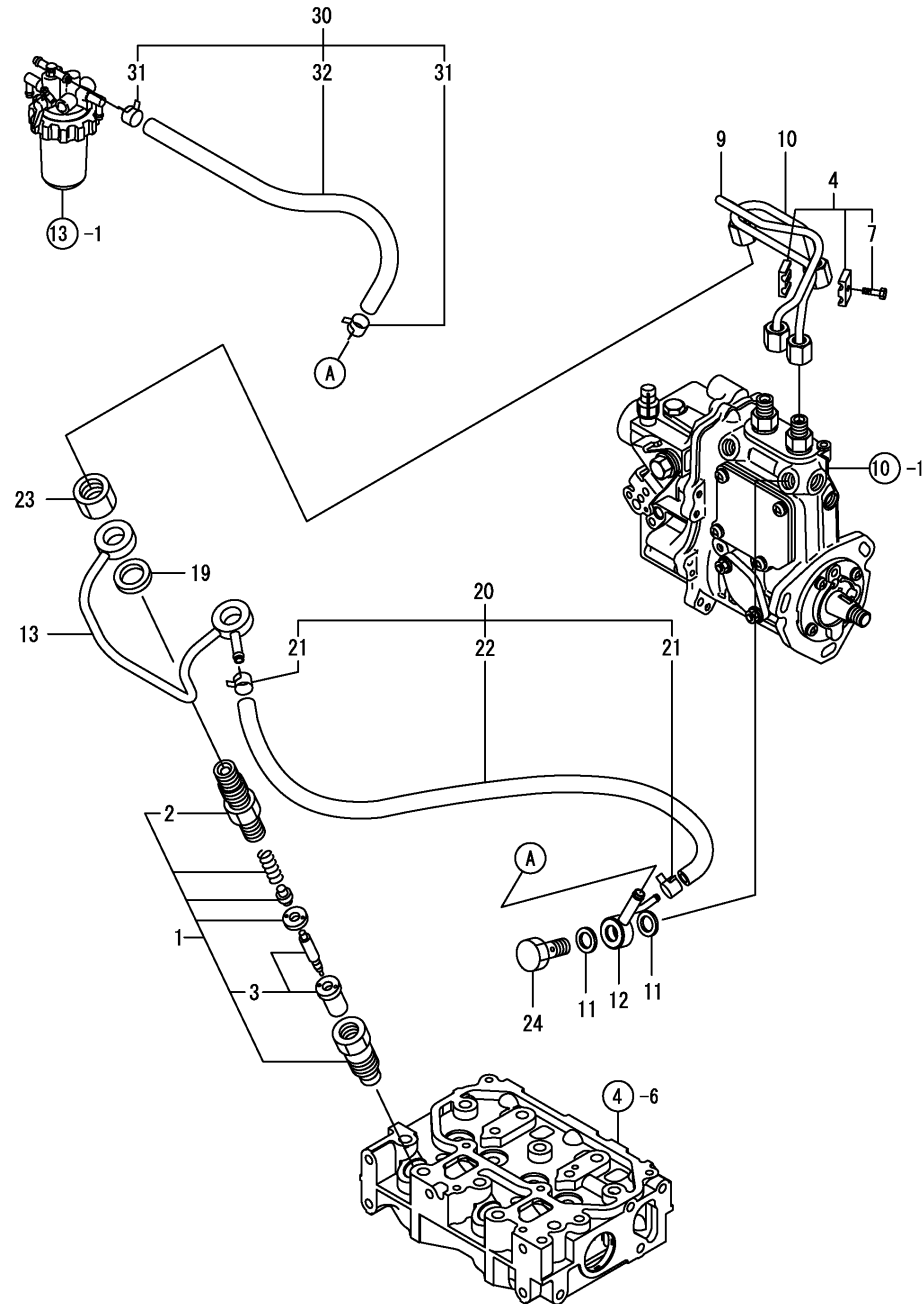


REF.	LEV.	PARTS NO.	DESCRIPTION	Q'TY						I	R
				(A)	(B)	(C)	(D)	(E)	(F)		
131	2	158601-61700	LIMITER ASSY, FUEL		1						
140	2	129209-61930	CAP NUT	1	1						
141	2	129209-61970	PLATE	1	1						
142	2	119233-77932	SOLENOID, STOP	1							
143	2	119653-77950	SOLENOID, STOP		1						
144	2	23414-120016	GASKET 12	1	1						

Remarks

(1) SELECTIVE PARTS: CERTAIN THE CLASSIFICATION MARK, THEN PLACE YOUR ORDER. (REF. TO ILLUSTRATION).  
\* THIS FIGURE (GOVERNOR ASSY) IS INCORPORATED IN THE FUEL INJECTION PUMP ASSY (FIG. 10).

Fig.12. FUEL INJECTION VALVE

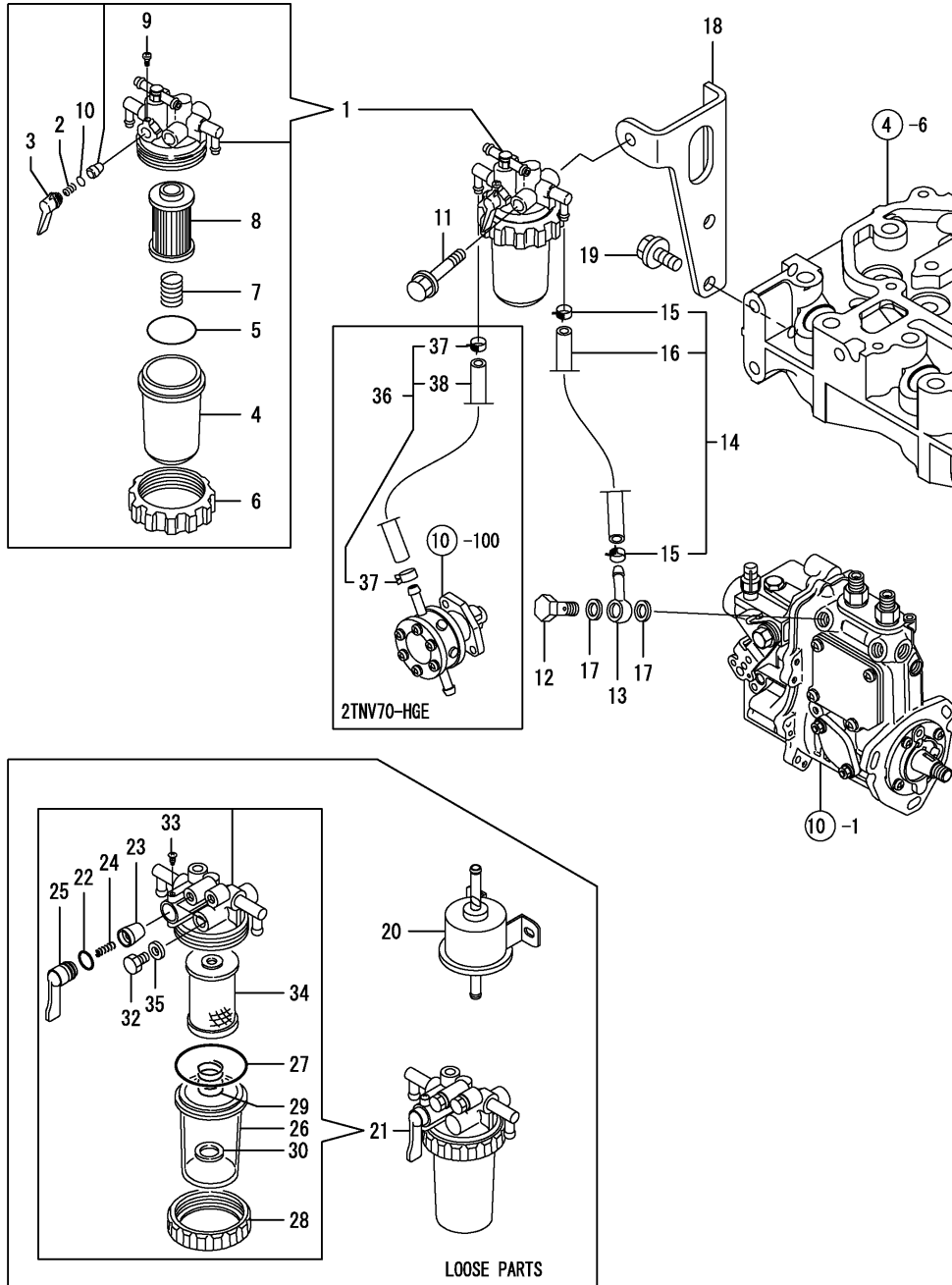


(A)=2TNV70-NBK  
(B)=2TNV70-HGE  
(C)=

(D)=  
(E)=  
(F)=

REF.	LEV.	PARTS NO.	DESCRIPTION	QTY						I	R
				(A)	(B)	(C)	(D)	(E)	(F)		
1	1	119515-53001	VALVE ASSY,INJECTION	2	2						
2	2	118200-53010	HOLDER, NOZZLE	2	2						
3	2	119515-53010	NOZZLE ASSY	2	2						
4	1	119305-59120	RETAINER	1	1						
7	2	129150-59131	BOLT M4X14,HEX.SCKT.	1	1						
9	1	119415-59810	PIPE, FUEL INJECTION	1	1						
10	1	119415-59820	PIPE, FUEL INJECTION	1	1						
11	1	22190-120002	SEAL WASHER 12	2	2						
12	1	119840-59570	JOINT	1	1						
13	1	119415-59540	PIPE ASSY, RETURN	1	1						
19	1	129901-59560	GASKET, RETURN	2	2						
20	1	119515-59570	PIPE, FUEL RETURN	1	1						
21	2	124066-59100	CLAMP 8	2	2						
22	2	105225-59240	PIPE, FUEL OIL	1	1						
23	1	119620-59700	NUT	2	2						
24	1	119813-59950	VALVE ASSY, CHECK	1	1						
30	1	129210-59130	PIPE ASSY, FUEL OIL	1	1						
31	2	124766-59050	CLAMP 12	2	2						
32	2	105025-59750	PIPE, FUEL OIL	1	1						

Fig.13. FUEL LINE

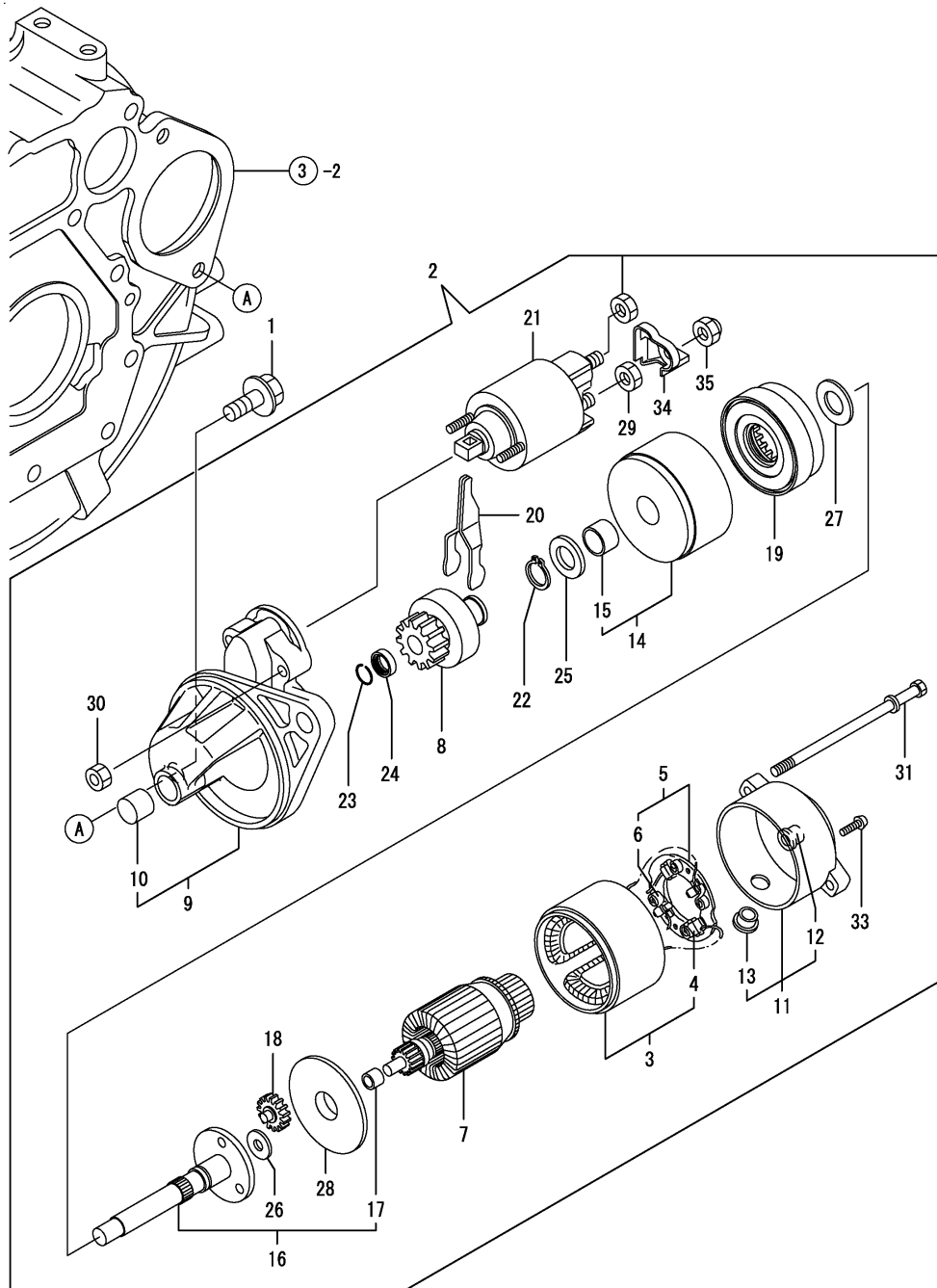


(A)=2TNV70-NBK  
(B)=2TNV70-HGE  
(C)=

(D)=  
(E)=  
(F)=

REF.	LEV.	PARTS NO.	DESCRIPTION	QTY						I	R
				(A)	(B)	(C)	(D)	(E)	(F)		
1	1	119833-55620	STRAINER ASSY, FUEL	1	1						
2	2	104200-55330	SPRING, TAPER VALVE	1	1						
3	2	119810-55340	LEVER	1	1						
4	2	121254-55510	CUP, STRAINER	1	1						
5	2	102103-55520	O-RING	1	1						
6	2	110250-55610	RING, RETAINING	1	1						
7	2	121250-55620	SPRING	1	1						
8	2	119810-55650	ELEMENT	1	1						
9	2	104200-55750	SCREW M 4	1	1						
10	2	24311-240100	O-RING 1A P-10A	1	1						
11	1	26014-080702	BOLT W/WASHER M8X 70	1	1						
12	1	103854-39140	BOLT, PIPE JOINT	1	1						
13	1	101304-59020	JOINT 12, PIPE	1	1						
14	1	129210-59050	PIPE ASSY, FUEL	1	1						
15	2	124766-59050	CLAMP 12	2	2						
16	2	105312-59510	PIPE, FUEL	1	1						
17	1	22190-120002	SEAL WASHER 12	2	2						
18	1	119717-55650	BRACKET, FO FILTER	1	1						
19	1	26106-080142	BOLT 8X 14 PLATED	2	2						
20	1	119225-52102	PUMP ASSY, FUEL FEED	1							
21	1	129335-55700	SEPARATOR, WATER	1	1						
22	2	24311-240100	O-RING 1A P-10A	1	1						
23	2	104200-55321	VALVE, TAPER	1	1						
24	2	104200-55330	SPRING, TAPER VALVE	1	1						
25	2	104200-55341	HANDLE, COCK	1	1						
26	2	124064-55510	BOWL, FUEL STRAINER	1	1						
27	2	102103-55520	O-RING	1	1						
28	2	110250-55610	RING, RETAINING	1	1						
29	2	121257-55720	SPRING, SCREEN	1	1						
30	2	121257-55731	FLOAT	1	1						
32	2	101720-55750	PLUG 6	2	2						
33	2	104200-55750	SCREW M 4	1	1						
34	2	171081-55910	SCREEN	1	1						
35	2	23418-060000	GASKET 6, NYLON	2	2						
36	1	129210-59140	FO-T CMP		1						
37	2	124766-59050	CLAMP 12		2						
38	2	105230-59510	PIPE, FUEL		1						

Fig.14. STARTING MOTOR

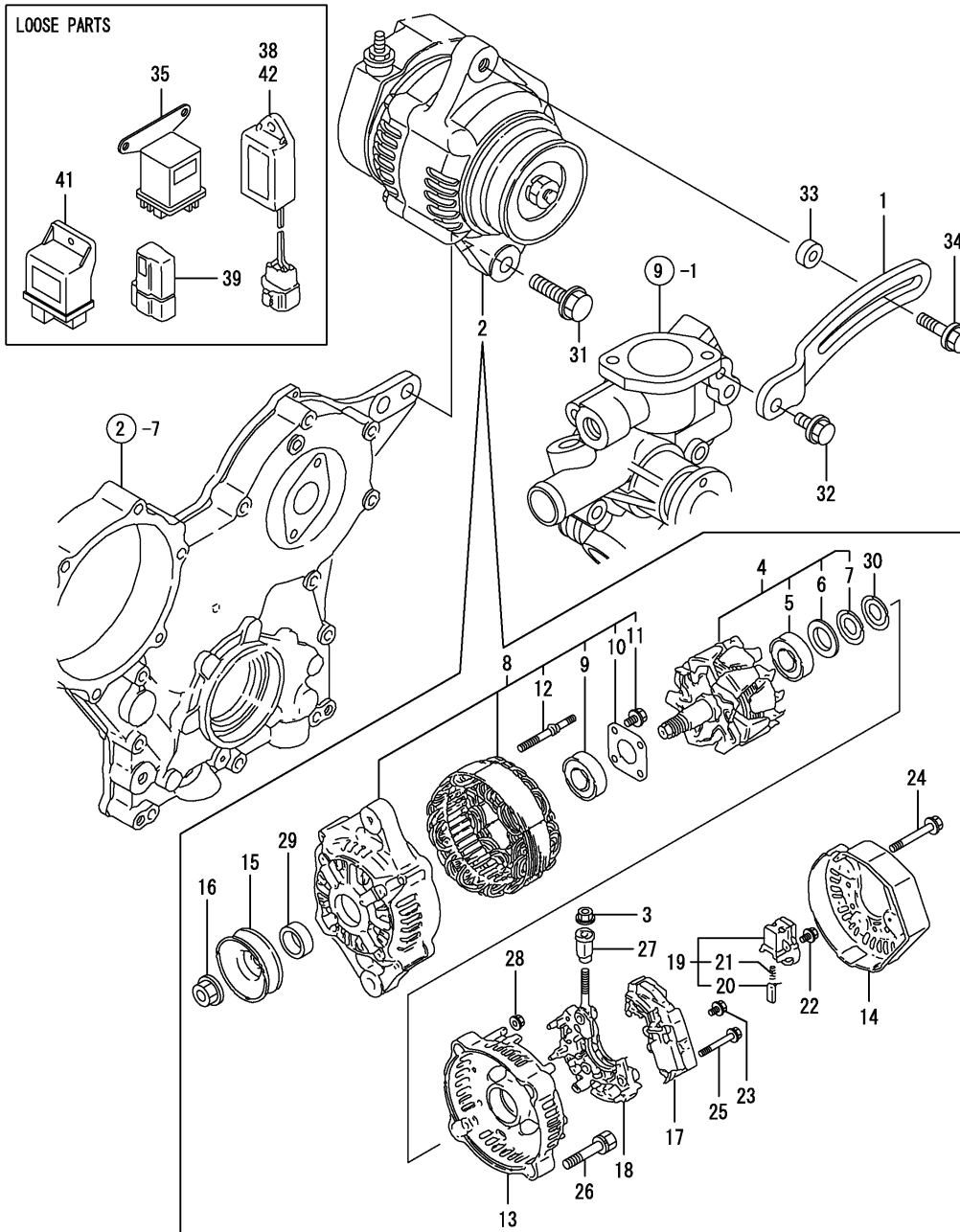


(A)=2TNV70-NBK  
(B)=2TNV70-HGE  
(C)=

(D)=  
(E)=  
(F)=

REF.	LEV.	PARTS NO.	DESCRIPTION	QTY						I	R
				(A)	(B)	(C)	(D)	(E)	(F)		
1	1	26106-100252	BOLT M10X 25 PLATED	2	2						
2	1	119515-77010	STARTER, P1.1	1	1						
3	2	X0281007680	COIL ASSY, FIELD	1	1						
4	3	X0280996180	STARTER KIT	2	2						
5	2	X0285105190	HOLDER ASSY.	1	1						
6	3	X0285205030	SPRING	4	4						
7	2	X0282005871	ARMATURE ASSY	1	1						
8	2	X0283006960	CLUTCH SUB-ASSY.	1	1						
9	2	X4284001590	HOUSING ASSY,STARTER	1	1						
10	3	X9491050100	NEEDLE BEARING	1	1						
11	2	X0285007030	FRAME ASSY.	1	1						
12	3	X9491040990	BEARING	1	1						
13	3	X0280626010	COVER	1	1						
14	2	X0284105040	BEARING SUB-ASSY.	1	1						
15	3	X9491034330	BEARING	1	1						
16	2	X0286105010	SHAFT SUB-ASSY.	1	1						
17	3	X9491034320	BEARING	1	1						
18	2	X0286305010	GEAR	3	3						
19	2	X0286355010	GEAR	1	1						
20	2	X0287405140	LEVER	1	1						
21	2	X0534007800	SWITCH,EMERGENCY	1	1						
22	2	X9055715000	RING	1	1						
23	2	X9490721360	RING	1	1						
24	2	X0280210331	NUT	1	1						
25	2	X9490138110	WASHER	1	1						
26	2	X9490138090	WASHER	1	1						
27	2	X9490138100	WASHER	1	1						
28	2	X0284525010	PLATE	1	1						
29	2	X9490562360	NUT	1	1						
30	2	X9490560750	NUT	2	2						
31	2	X9490423520	BOLT, THROUGH	2	2						
33	2	X9490065670	SCREW M 4X 6 (BS)	2	2						
34	2	X0280335360	COVER SET, TERMINAL	1	1						
35	2	X1289510130	NUT	1	1						

Fig.15. GENERATOR



(A)=2TNV70-NBK  
(B)=2TNV70-HGE  
(C)=

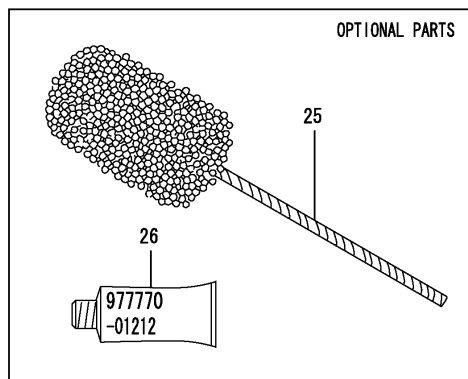
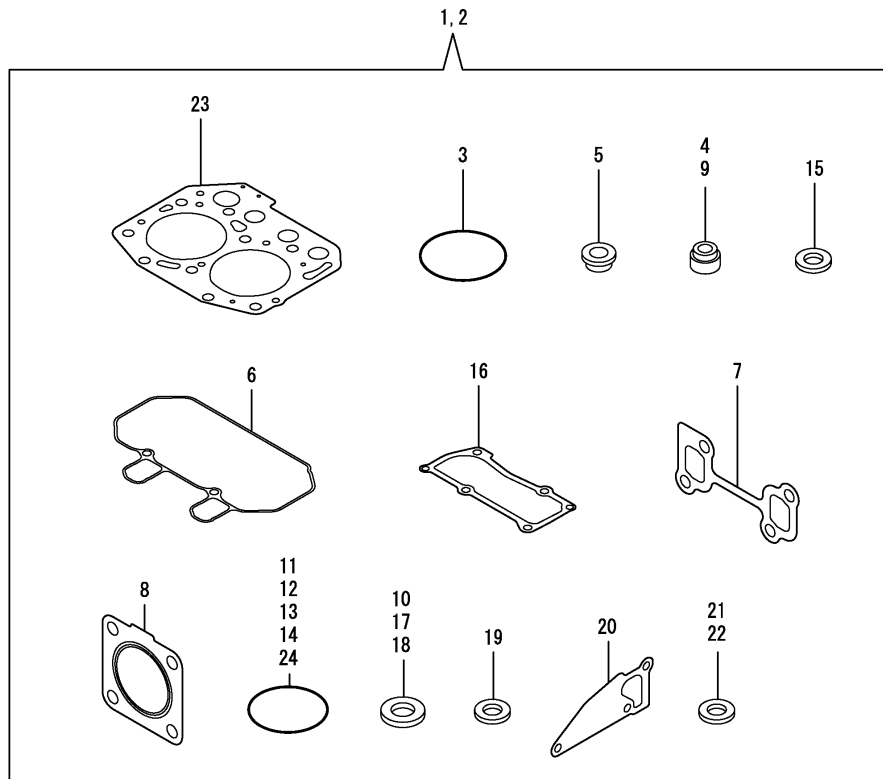
(D)=  
(E)=  
(F)=

REF.	LEV.	PARTS NO.	DESCRIPTION	QTY						I	R
				(A)	(B)	(C)	(D)	(E)	(F)		
1	1	119717-77340	ADJUSTER, BELT	1	1						
2	1	129423-77200	GENERATOR	1	1						
3	2	X9490561001	NUT	1	1						
4	2	119620-77380	ROTOR ASSY	1	1						
5	3	119620-79240	BALL BEARING	1	1						
6	3	119620-79250	COVER, BEARING	1	1						
7	3	119620-79360	THRUST WASHER	1	1						
8	2	119620-77421	FLAME ASSY, DRIVE	1	1						
9	3	119620-79200	BALL BEARING	1	1						
10	3	119620-79210	PLATE	1	1						
11	3	119620-79220	SCREW	4	4						
12	3	119620-79230	BOLT, STUD	2	2						
13	2	119620-77440	FLAME ASSY, REAR	1	1						
14	2	129240-79300	COVER	1	1						
15	2	119620-77461	PULLEY	1	1						
16	2	119620-77471	NUT	1	1						
17	2	129423-77710	REGULATOR ASSY	1	1						
18	2	119620-79260	HOLDER	1	1						
19	2	119620-79270	HOLDER, BRUSH	1	1						
20	3	119620-77480	BRUSH ASSY	2	2						
21	3	119620-79280	SPRING	2	2						
22	2	119620-79290	SCREW	1	1						
23	2	119620-79300	SCREW	1	1						
24	2	119620-79310	BOLT	3	3						
25	2	119620-79320	SCREW W/WASHER	2	2						
26	2	119620-79330	BOLT	2	2						
27	2	119620-79340	INSULATION BUSH	1	1						
28	2	119620-79350	NUT	2	2						
29	2	119620-77490	COLLAR	1	1						
30	2	119620-79360	THRUST WASHER	1	1						
31	1	26106-100452	BOLT M10X 45 PLATED	1	1						
32	1	26106-080202	BOLT M 8X 20 PLATED	1	1						
33	1	119940-77270	ADJUSTER, BELT	1	1						
34	1	119802-77340	BOLT, ADJUSTER	1	1						
35	1	119650-77910	RELAY, GROW	1	1						
38	1	129211-77920	TIMER	1	1						
39	1	119643-66900	DIODE	1	1						
41	1	119802-77200	RELAY, SAFETY	1							
42	1	129155-77925	TIMER (3SEC)	1							

Fig.16. GASKET SET

(A)=2TNV70-NBK  
(B)=2TNV70-HGE  
(C)=

(D)=  
(E)=  
(F)=



REF.	LEV.	PARTS NO.	DESCRIPTION	Q'TY						I	R
				(A)	(B)	(C)	(D)	(E)	(F)		
1	1	719415-92610	GASKET SET(NON-ASB.)	1							1
2	1	719415-92620	GASKET SET(NON-ASB.)		1						1
3	2	121850-51960	O-RING, F.I.PUMP	1	1						
4	2	119717-11340	SEAL, VALVE STEM	2	2						
5	2	129901-11450	PROTECTOR, NOZZLE	2	2						
6	2	119415-11310	GASKET, BONNET	1	1						
7	2	119415-13110	GASKET, MANIFOLD	1	1						
8	2	119515-13200	GASKET, SILENCER	1	1						
9	2	119717-11350	SEAL, VALVE STEM	2	2						
10	2	22190-080002	SEAL WASHER 8S	4	4						
11	2	24311-000320	O-RING 1A P-32.0	2	2						
12	2	119717-32060	O-RING, P15.0	1	1						
13	2	119624-32040	O-RING P 12.0	1	1						
14	2	119717-32050	O-RING, P17.0	3	3						
15	2	119600-11460	GASKET, NOZZLE	4	4						
16	2	119415-11330	PLATE, BAFFLE	1	1						
17	2	22190-160002	SEAL WASHER 16S	1	1						
18	2	22190-120002	SEAL WASHER 12	4	4						
19	2	129901-59560	GASKET, RETURN	2	2						
20	2	119515-42020	GASKET, WATER PUMP	1	1						
21	2	23414-080000	GASKET 8, ROUND	1	1						
22	2	124465-44950	GASKET 16	2	2						
23	2	119415-01330	GASKET, CYL.HEAD	1	1						
24	2	24341-000240	O-RING 1A S-24.0		1						
25	1	129400-92410	FLEX HORN	1	1						1
26	1	977770-01212	GASKET, LIQUID	1	1						1

Remarks  
(1) OPTIONAL PART.

## **Part Number Index**

All parts are stipulated in the order of part numbers.

(Depending on the area in which the part is used.)

This index will display the location of the part according to each part number.



## PARTS No. INDEX

PARTS No.	Fig.	Ref.No.
101304-59020	13	13
101720-55750	13	32
102103-55520	13	5
		27
103854-39140	13	12
104200-55321	13	23
104200-55330	13	2
		24
104200-55341	13	25
104200-55750	13	9
		33
105010-11490	4	5
105025-59750	12	32
105225-59240	12	22
105230-59510	13	38
105311-01090	1	5
105312-59510	13	16
105425-01690	3	9
		17
110250-55610	13	6
		28
114250-39450	8	10
118200-53010	12	2
118400-51370	10	49
119131-18320	5	5
119225-52102	13	20
119233-77932	11	142
119285-01990	1	8
119285-11990	4	12
		29
119305-35151	8	3
119305-59120	12	4
119415-01330	1	30
	16	23
119415-01720	3	7
119415-11200	4	39
119415-11240	4	40
119415-11310	4	63
	16	6
119415-11320	4	64
119415-11330	4	65
	16	16
119415-11380	4	53
119415-11740	4	6
119415-11750	4	21
119415-13100	5	1
119415-13110	5	2
	16	7
119415-14580	6	3
119415-21580	7	8

PARTS No.	Fig.	Ref.No.
119415-21700	7	1
119415-34801	8	1
119415-35080	8	5
119415-39210	8	11
119415-44740	9	40
119415-51030	10	6
119415-51400	10	50
119415-51500	10	65
119415-51700	10	75
119415-51710	10	76
119415-51750	10	77
119415-51760	10	78
119415-59540	12	13
119415-59810	12	9
119415-59820	12	10
119415-77820	4	73
119440-01770	3	8
119446-01770	3	16
119446-34801	8	17
119446-35080	8	18
119515-01200	1	29
119515-01601	3	2
119515-11100	4	14
		31
119515-11110	4	15
		32
119515-11280	4	44
119515-11800	4	9
		27
119515-13200	5	7
	16	8
119515-14400	6	2
119515-22080	7	14
119515-22300	7	20
119515-22500	7	16
119515-22550	7	31
119515-22900	7	29
119515-23000	7	22
119515-23600	7	27
119515-23610	7	35
119515-42001	9	29
119515-42020	9	13
	16	20
119515-42041	9	3
		31
119515-42350	9	18
119515-51100	10	10
119515-53001	12	1
119515-53010	12	3
119515-59570	12	20

PARTS No.	Fig.	Ref.No.
119515-61100	11	7
119515-61440	11	23
119515-77010	14	2
119540-42000	9	1
119600-11460	4	4
	16	15
119620-01750	3	4
119620-01800	2	9
119620-02020	1	9
119620-14200	6	1
119620-21500	7	7
119620-21941	7	13
119620-59700	12	23
119620-77380	15	4
119620-77421	15	8
119620-77440	15	13
119620-77461	15	15
119620-77471	15	16
119620-77480	15	20
119620-77490	15	29
119620-79200	15	9
119620-79210	15	10
119620-79220	15	11
119620-79230	15	12
119620-79240	15	5
119620-79250	15	6
119620-79260	15	18
119620-79270	15	19
119620-79280	15	21
119620-79290	15	22
119620-79300	15	23
119620-79310	15	24
119620-79320	15	25
119620-79330	15	26
119620-79340	15	27
119620-79350	15	28
119620-79360	15	7
		30
119621-21680	7	12
119623-01250	1	6
119624-32040	2	21
	16	13
119643-66900	15	39
119650-77910	15	35
119653-77950	11	143
119660-01911	2	20
119660-61300	11	78
119660-61901	11	69
119717-01501	2	1
119717-01521	2	7

PARTS No.	Fig.	Ref.No.
119717-01570	2	2
119717-01590	2	3
119717-01750	2	19
119717-02410	1	12
119717-02930	1	26
119717-03031	4	54
119717-03070	4	55
		56
119717-11131	4	16
		33
119717-11190	4	18
		35
119717-11260	4	43
119717-11340	4	19
		36
	16	4
119717-11350	4	20
		37
	16	9
119717-11650	4	45
119717-13600	5	3
119717-21650	7	11
119717-23200	7	26
119717-23910	7	25
119717-25050	6	9
119717-25100	6	10
119717-25930	6	15
119717-32050	2	22
	16	14
119717-32060	8	4
	16	12
119717-32080	2	12
119717-32100	2	11
119717-32110	2	16
119717-32120	2	17
119717-42031	9	4
		32
119717-42320	9	11
		39
119717-49800	9	24
119717-51060	10	7
119717-51070	10	8
119717-51150	6	16
119717-51180	10	15
119717-51190	10	16
119717-51200	10	17
119717-51300	10	44
119717-51330	10	47
119717-51420	10	52
119717-51480	10	91

## PARTS No. INDEX

PARTS No.	Fig.	Ref.No.
119717-51490	10	92
119717-55650	13	18
119717-61050	11	3
119717-61060	11	4
119717-61070	11	5
119717-61100	11	6
119717-61120	11	10
119717-61130	11	11
119717-61140	11	12
119717-61150	11	13
119717-61200	11	74
119717-61400	11	16
119717-61500	11	32
119717-77340	15	1
119717-77800	4	72
119718-61700	11	128
119740-61560	11	92
119744-01521	2	8
119744-01590	2	4
119761-61560	11	93
119802-03100	4	57
119802-03110	4	58
119802-03121	4	59
119802-03131	4	60
119802-03141	4	61
119802-13620	5	4
119802-32130	2	18
119802-77200	15	41
119802-77340	15	34
119810-02940	1	31
119810-55340	13	3
119810-55650	13	8
119813-59950	12	24
119833-55620	13	1
119840-59570	12	12
119940-77270	15	33
121023-01550	2	33
121120-01620	3	3
121250-44901	9	27
121250-55620	13	7
121254-55510	13	4
121257-55720	13	29
121257-55731	13	30
121267-44760	9	21
121450-42450	9	26
121520-34810	8	16
121850-51960	2	23
	16	3
122710-51090	10	9
124060-01050	1	4

PARTS No.	Fig.	Ref.No.
124064-55510	13	26
124066-59100	12	21
124085-02220	3	5
124160-01751	2	31
	4	52
124160-01910	1	7
124450-44740	9	20
124465-44950	9	28
	16	22
124550-51350	10	48
124766-59050	12	31
	13	15
		37
124950-21600	7	10
129001-32320	2	14
129001-32330	2	15
129005-59830	8	12
129052-61390	11	15
129100-01580	3	1
	7	2
129100-35140	8	2
129100-51560	10	70
129100-51570	10	71
129100-52000	10	98
129100-52101	10	100
129100-52200	10	97
129100-61650	11	62
129100-61730	11	129
129150-11230	4	46
129150-11750	4	48
129150-25301	6	14
129150-59131	12	7
129155-51020	10	5
129155-51140	10	13
129155-51280	10	42
		43
	11	8
129155-51450	10	60
129155-51521	10	66
129155-51530	10	67
129155-51540	10	68
129155-51550	10	69
129155-51580	10	73
129155-51591	10	74
129155-51600	10	21
129155-52051	10	96
		99
129155-61341	11	79
129155-61450	11	24
129155-61460	11	80

PARTS No.	Fig.	Ref.No.
129155-61480	11	26
129155-77925	15	42
129156-51910	10	80
129156-61460	11	25
129209-61370	11	14
129209-61930	11	140
129209-61970	11	141
129210-59050	13	14
129210-59130	12	30
129210-59140	13	36
129211-77920	15	38
129240-79300	15	14
129335-55700	13	21
129350-49530	9	23
129400-92410	16	25
129423-77200	15	2
129423-77710	15	17
129486-61540	11	52
129486-61650	11	63
129508-11180	4	17
		34
129900-07900	4	1
129900-32130	2	13
129901-11450	4	3
	16	5
129901-59560	12	19
	16	19
129916-49740	9	12
158552-61700	11	64
158552-61710	11	68
158552-61900	11	85 -1
158600-51170	10	14
158600-51270	10	41
158600-51410	10	51
158600-51420	10	53
158600-51441	10	54
158600-51570	10	72
158600-51790	10	79
158601-61700	11	131
158601-61710	11	130
171001-42290	9	19
171056-49120	9	17
171081-55910	13	34
174307-51700	11	33
719415-01560	1	1
719415-92610	16	1
719415-92620	16	2
719440-51350	10	1
719446-51350	10	2
719717-01500	2	5

PARTS No.	Fig.	Ref.No.
719717-02900	1	14
719717-02910	1	34
719744-01500	2	6
977770-01212	2	36
	3	20
	4	74
	16	26
X0280210331	14	24
X0280335360	14	34
X0280626010	14	13
X0280996180	14	4
X0281007680	14	3
X0282005871	14	7
X0283006960	14	8
X0284105040	14	14
X0284525010	14	28
X0285007030	14	11
X0285105190	14	5
X0285205030	14	6
X0286105010	14	16
X0286305010	14	18
X0286355010	14	19
X0287405140	14	20
X0534007800	14	21
X1289510130	14	35
X4284001590	14	9
X9055715000	14	22
X9490065670	14	33
X9490138090	14	26
X9490138100	14	27
X9490138110	14	25
X9490423520	14	31
X9490560750	14	30
X9490561001	15	3
X9490562360	14	29
X9490721360	14	23
X9491034320	14	17
X9491034330	14	15
X9491040990	14	12
X9491050100	14	10



**YANMAR CO.,LTD.**