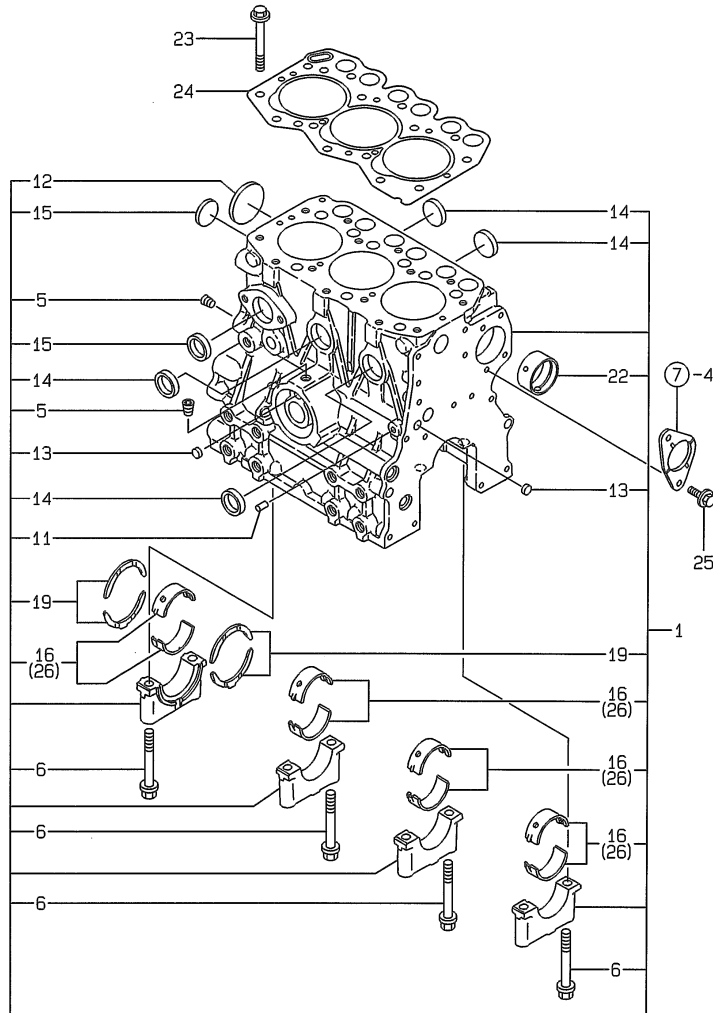


Fig.1. CYLINDER BLOCK

Y00R4511 1. CYLINDER BLOCK

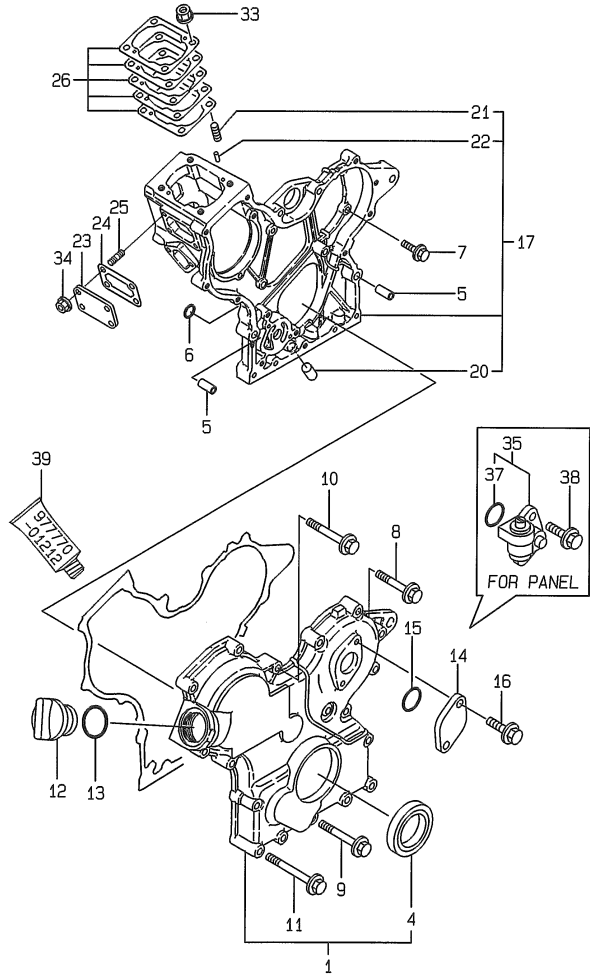
(A)=3TNE68-SA (D)=3TNE68C-SA  
 (B)=3TNE68-G1A (E)=3TNE68C-G1A  
 (C)=3TNE68-G2A (F)=



REF.	LEV.	PARTS NO.	DESCRIPTION	QTY						I	R
				(A)	(B)	(C)	(D)	(E)	(F)		
1	1	719265-01560	BLOCK ASSY, CYLINDER	1	1	1	1	1			
5	2	124060-01050	PLUG PT1/8	2	2	2	2	2			
6	2	119260-02020	BOLT	8	8	8	8	8			
11	2	27221-060100	PLUG 6X10	1	1	1	1	1			
12	2	27231-400000	PLUG 40	1	1	1	1	1			
I 12-1	2	119265-01250	PLUG 40	1	1	1	1	1		N	
		(A=E41889) (B=E43760) (C=E41816) (D=E00895) (E=E01001)									
13	2	27241-100000	PLUG 10	2	2	2	2	2			
14	2	27241-250000	PLUG 25	4	4	4	4	4			
15	2	27241-300000	PLUG 30	2	2	2	2	2			
16	2	119260-02800	MAIN BEARING	4	4	4	4	4			
19	2	119260-02930	THRUST BEARING	2	2	2	2	2			
22	2	119260-02410	BUSH, CAMSHAFT	1	1	1	1	1			
I 22-1	2	119266-02410	BUSH	1	1	1	1	1		R	
		(A=E27953) (B=E28743) (C=E27414) (D=E00510) (E=E00590)									
23	1	119260-01200	BOLT, CYL.HEAD	14	14	14	14	14			
I 23-1	1	119266-01200	STUD, CYL. HEAD	14	14	14	14	14		N	
		(A=E41889) (B=E43760) (C=E41816) (D=E00895) (E=E01001)									
24	1	119265-01340	GASKET, CYL. HEAD	1	1	1	1	1			
I 24-1	1	119265-01341	GASKET, CYL. HEAD	1	1	1	1	1		N	
		(A=E21604) (B=E28743) (C=E23781) (D=E00493) (E=E00492)									
25	1	26106-060122	BOLT M 6X 12 PLATED	2	2	2	2	2			
26	1	719260-02870	MAIN BEARING US=0.25	4	4	4	4	4		1	

Remarks  
 (1) UNDER-SIZE(U.S=0.25)PART.

Fig.2. GEAR HOUSING



Y00R4511 2. GEAR HOUSING

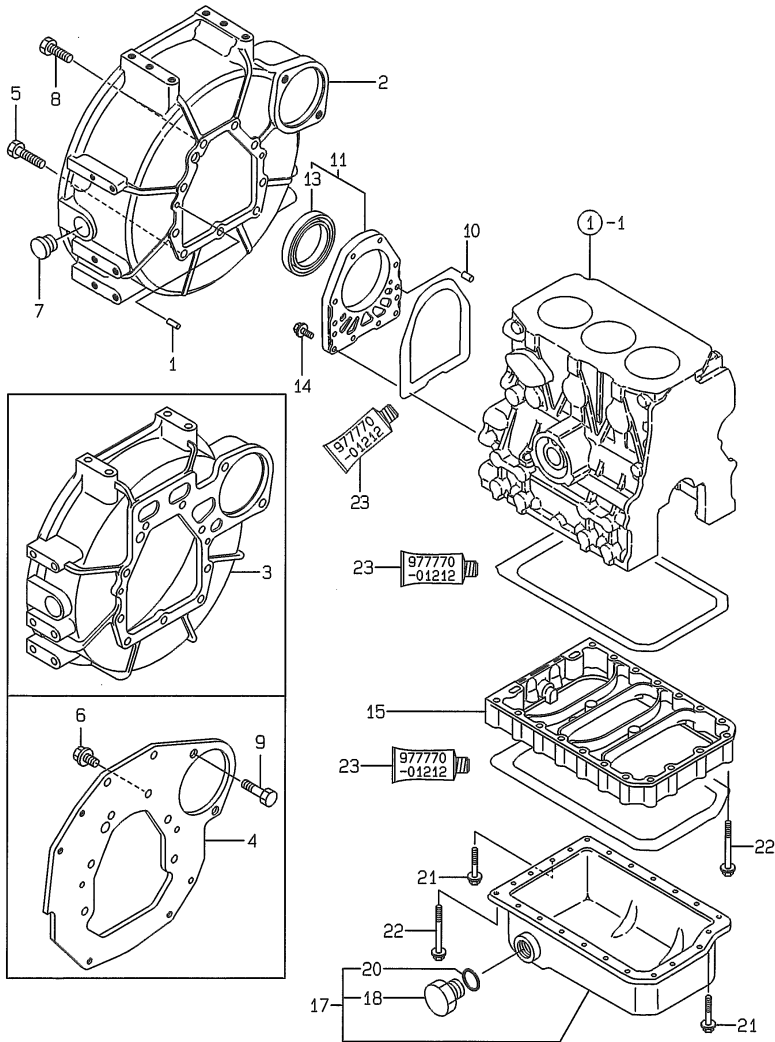
(A)=3TNE68-SA (D)=3TNE68C-SA  
 (B)=3TNE68-G1A (E)=3TNE68C-G1A  
 (C)=3TNE68-G2A (F)=

REF.	LEV.	PARTS NO.	DESCRIPTION	QTY						I	R
				(A)	(B)	(C)	(D)	(E)	(F)		
1	1	119260-01590	COVER ASSY,GEAR CASE	1	1	1	1	1			
4	2	119620-01800	SEAL HTC456208, OIL	1	1	1	1	1			
5	1	119660-01911	PIPE, KNOCK	4	4	4	4	4			
6	1	24311-000120	O-RING 1A P 12.0	2	2	2	2	2			
I 6-1	1	119624-32040 (A=E62542) (B=E62973) (C=E62473)	O-RING P 12.0	2	2	2					N
7	1	26106-060162	BOLT M 6X 16 PLATED	5	5	5	5	5			
8	1	26106-060302	BOLT M 6X 30 PLATED	5	5	5	5	5			
9	1	26106-060402	BOLT M 6X 40 PLATED	3	3	3	3	3			
10	1	26106-060502	BOLT M 6X 50 PLATED	4	4	4	4	4			
11	1	26106-060652	BOLT M 6X 65 PLATED	6	6	6	6	6			
12	1	124160-01751	COVER,FILLER	1	1	1	1	1			
13	1	24311-000320	O-RING 1A P-32.0	1	1	1	1	1			
14	1	121023-01550	COVER, BLIND	1	1	1	1	1			
15	1	24341-000240	O-RING 1A S-24.0	1	1	1	1	1			
16	1	26106-060182	BOLT M 6X 18 PLATED	2	2	2	2	2			
I 16-1	1	26106-060162 (A=E6XXX) (B=E6XXX) (C=E6XXX) (D=E6XXX) (E=E6XXX)	BOLT M 6X 16 PLATED	2	2	2	2	2			N
17	1	119260-01490	HOUSING ASSY, GEAR	1	1	1	1	1			
20	2	119260-01510	PLUG	1	1	1	1	1			
21	2	121450-01560	STUD M 8X 22	4	4	4	4	4			
22	2	22351-040010	SPRING PIN 4X10	2	2	2	2	2			
23	1	119660-01551	COVER	1	1	1	1	1			
24	1	119660-01562	GASKET, (NON-ASB.)	1	1	1	1	1			
25	1	119660-01570	STUD M6X12	4	4	4	4	4			
26	1	119623-01950	SHIM PACK	1	1	1	1	1			
33	1	194990-22050	NUT W/WASHER 8	4	4	4	4	4			
34	1	26366-060002	NUT M 6	4	4	4	4	4			
35	1	129150-91400	GEAR UNIT,TACHOMETER	1	1	1	1	1			1
37	2	24341-000240	O-RING 1A S-24.0	1	1	1	1	1			1
38	1	26106-060162	BOLT M 6X 16 PLATED	2	2	2	2	2			1
I 39	1	977770-01212 (A=E6XXX) (B=E6XXX) (C=E6XXX) (D=E6XXX) (E=E6XXX)	GASKET, LIQUID	1	1	1	1	1			W 2

Remarks  
 (1) FOR PANEL.  
 (2) OPTIONAL PART.

Fig.3. FLYWHEEL HOUSING & OIL SUMP

(A)=3TNE68-SA (D)=3TNE68C-SA  
 (B)=3TNE68-G1A (E)=3TNE68C-G1A  
 (C)=3TNE68-G2A (F)=

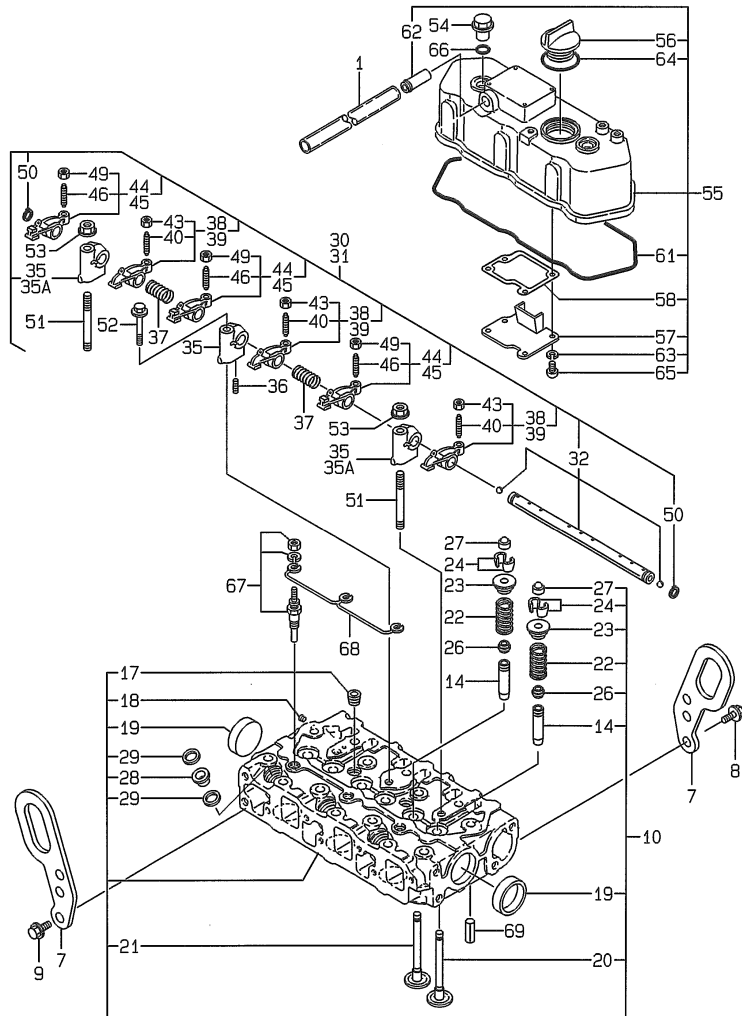


REF.	LEV.	PARTS NO.	DESCRIPTION	QTY						I	R
				(A)	(B)	(C)	(D)	(E)	(F)		
1	1	129100-01580	PARALLEL PIN 8X16	2	2	2	2	2			
2	1	119280-01600	FLANGE, MOUNTING	1	1	1	1	1			
3	1	119600-01600	HOUSING, FLYWHEEL	1		1	1				
4	1	119621-01611	REAR PLATE	1		1	1				
5	1	121120-01620	BOLT M 10X 28	3	3	3	3	3			
6	1	26116-100202	BOLT M10X 20 PLATED	8		8	8				
7	1	119620-01750	CAP, FLYWHEEL COVER	1	1	1	1	1			
8	1	26206-100252	BOLT M10X25	6	6	6	6	6			
9	1	119620-01621	STUD, STARTER	2		2	2				
10	1	119620-01620	PARALLEL PIN 6X10	2	2	2	2	2			
11	1	119660-01640	CASE ASSY, OIL SEAL	1	1	1	1	1			
13	2	124085-02220	SEAL, OIL	1	1	1	1	1			
14	1	26106-060222	BOLT M 6X 22 PLATED	10	10	10	10	10			
15	1	119454-01721	SPACER, OIL SUMP	1	1	1	1	1			
17	1	119260-01770	SUMP ASSY, OIL	1	1	1	1	1			
18	2	121400-01640	PLUG M16	1	1	1	1	1			
20	2	24311-000180	O-RING 1A P-18.0	1	1	1	1	1			
21	1	26106-060102	BOLT M 6X 10 PLATED	3	3	3	3	3			
22	1	26106-060452	BOLT M 6X 45 PLATED	20	20	20	20	20			
I 23	1	977770-01212	GASKET, LIQUID	1	1	1	1	1		W 1	
		(A=EXXX)	(B=EXXX)	(C=EXXX)	(D=EXXX)	(E=EXXX)					

Remarks  
 (1) OPTIONAL PART.

(A)=3TNE68-SA (D)=3TNE68C-SA  
 (B)=3TNE68-G1A (E)=3TNE68C-G1A  
 (C)=3TNE68-G2A (F)=

Fig.4. CYLINDER HEAD & BONNET



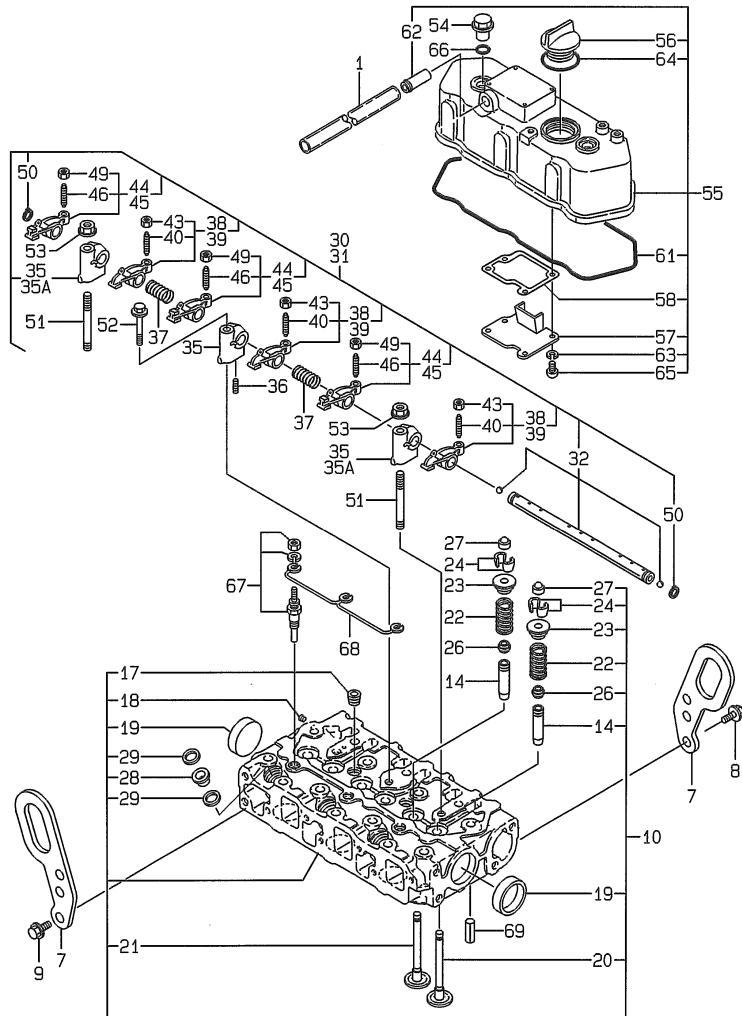
REF.	LEV.	PARTS NO.	DESCRIPTION	QTY						I	R
				(A)	(B)	(C)	(D)	(E)	(F)		
1	1	23065-120500	PIPE, VINYL 12X 500	1	1	1	1	1			
7	1	119260-07900	LIFTER, ENGINE	2	2	2	2	2			
8	1	26106-080142	BOLT M 8X 14 PLATED	1	1	1	1	1			
9	1	26106-080142	BOLT M 8X 14 PLATED	2	2	2	2	2			
10	1	119265-11700	HEAD ASSY, CYLINDER	1	1	1	1	1			
14	2	119260-11800	GUIDE, VALVE	6	6	6	6	6		1	
17	2	23871-020000	PLUG PT1/4, SCREW	2	2	2	2	2			
I 17-1	2	23871-030000 (A=E15864) (B=E15735) (C=E23781)	PLUG PT3/8, SCREW (D=E15864) (E=E15735)	2	2	2	2	2		S	
I 17-2	2	23876-030000 (A=E15864) (B=E15735) (C=E23781)	PLUG PT3/8, SCREW (D=E15864) (E=E15735)	2	2	2	2	2		N	
18	2	27221-050080	PLUG 5X 8	1	1	1	1	1			
19	2	27241-350000	PLUG 35	2	2	2	2	2			
20	2	119260-11100	VALVE, SUCTION	3	3	3	3	3			
21	2	119260-11110	VALVE, EXHAUST	3	3	3	3	3			
22	2	114250-11120	SPRING, VALVE	6	6	6	6	6			
23	2	114250-11180	RETAINER, SPRING	6	6	6	6	6			
24	2	714250-11570	COTTER ASSY	6	6	6	6	6			
26	2	119260-11340	SEAL, VALVE STEM	6	6	6	6	6			
27	2	119260-11370	CAP, VALVE	6	6	6	6	6			
28	2	119600-11450	PROTECTOR, NOZZLE	3	3	3	3	3			
29	2	119600-11460	GASKET, NOZZLE	6	6	6	6	6			
30	1	119260-11200	SUPPORT ASSY, ARM	1		1	1				
31	1	119489-11200	SUPPORT ASSY, ARM		1			1			
32	2	119260-11240	SHAFT ASSY, ARM	1	1	1	1	1			
35	2	119260-11260	SUPPORT, ROCKER ARM	3	3	3					
I 35-1	2	119260-11260 (A=E15864) (B=E15735) (C=E23781)	SUPPORT, ROCKER ARM	1	1	1	1	1		K	
I 35A	2	119265-11260 (A=E15864) (B=E15735) (C=E23781)	SUPPORT, ROCKER ARM	2	2	2	2	2		W	
36	2	119260-11270	SCREW	1	1	1	1	1			
37	2	119260-11280	SPRING	2	2	2	2	2			
38	2	719260-11650	ARM ASSY, ROCKER	3		3					
39	2	719489-11650	ARM ASSY, ROCKER		3				3		
40	3	105010-11230	SCREW, VALVE	3	3	3	3	3			
43	3	26756-060002	LOCK NUT 6	3	3	3	3	3			
44	2	719260-11660	ARM ASSY, ROCKER	3		3			3		
45	2	719489-11660	ARM ASSY, ROCKER		3				3		
46	3	105010-11230	SCREW, VALVE	3	3	3	3	3			
49	3	26756-060002	LOCK NUT 6	3	3	3	3	3			
50	2	22242-000100	CIRCLIP 10	2	2	2	2	2			
51	1	119620-11350	STUD	2	2	2	2	2			
52	1	26106-080452	BOLT M 8X 45 PLATED	1	1	1	1	1			
53	1	26366-080002	NUT M 8	2	2	2	2	2			
I 53-1	1	26306-080002 (A=E15864) (B=E15735) (C=E23781)	NUT	2	2	2	2	2		N	
54	1	124160-11360	KNOB	2	2	2	2	2			
55	1	119260-11330	BONNET ASSY, (NON-ASB)	1	1	1	1	1			
56	2	124160-01751	COVER, FILLER	1	1	1	1	1			
57	2	119260-03020	PLATE, SHELTER	1	1	1	1	1			
58	2	119260-03031	GASKET, (NON-ASB.)	1	1	1	1	1			
61	2	119260-11310	GASKET, BONNET	1	1	1	1	1			
62	2	119620-11390	JOINT	1	1	1	1	1			
I 62-1	2	118400-03060	JOINT, BREATHER	1	1	1	1	1		R	

Remarks  
 (1) REPAIR PART.

++ CONTINUE ++

(A)=3TNE68-SA (D)=3TNE68C-SA  
 (B)=3TNE68-G1A (E)=3TNE68C-G1A  
 (C)=3TNE68-G2A (F)=

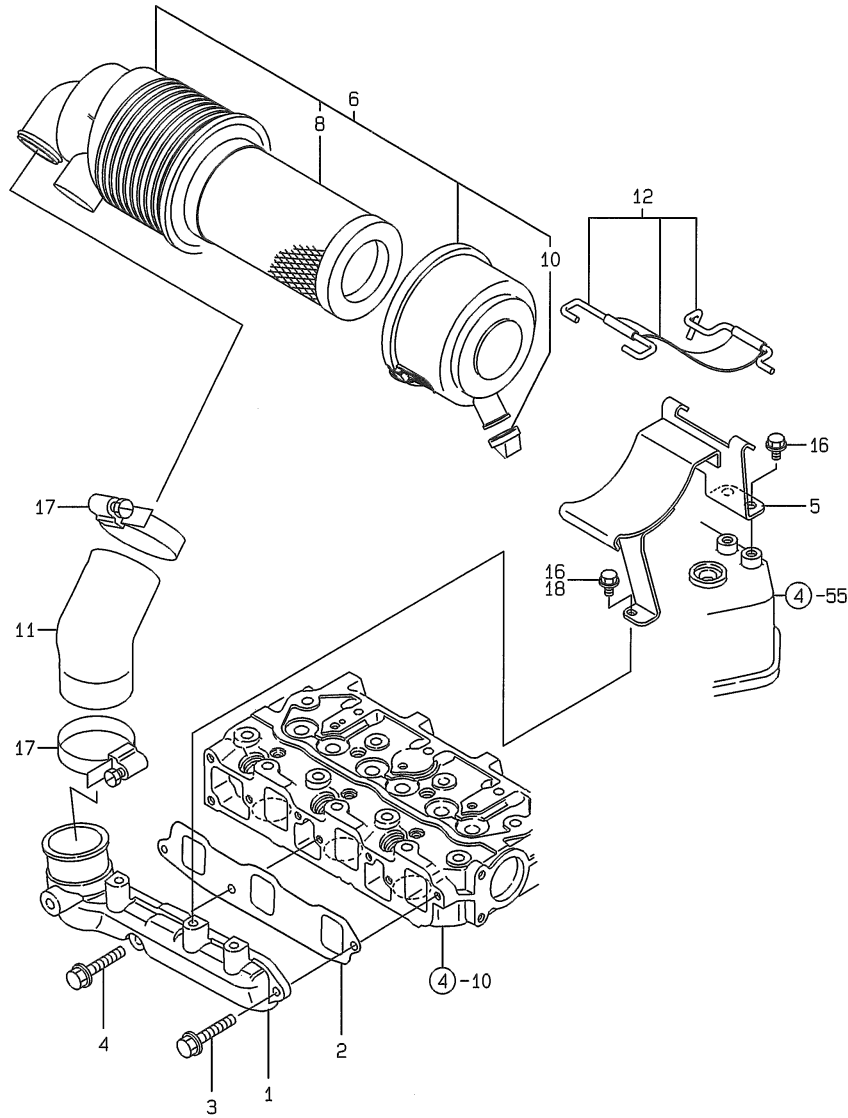
Fig.4. CYLINDER HEAD & BONNET



REF.	LEV.	PARTS NO.	DESCRIPTION	QTY						I	R
				(A)	(B)	(C)	(D)	(E)	(F)		
I 63	2	(A=E43090) 22217-050000	(B=E43760) SPRING WASHER 5	(C=E43089) 5	(D=E00999) 4	(E=E01001) 4					Z
		(A=E33947)	(B=E36957)	(C=E33946)	(D=E00605)	(E=E00590)					
64	2	24311-000320	O-RING 1A P-32.0	1	1	1	1	1	1		
65	2	26557-050102	SCREW M 5X 10	4	4	4	4	4	4		
I 65-1	2	22857-500100	SCREW 5X10,TAPPING	4	4	4	4	4	4	R	
66	1	(A=E33947) 24311-000120	(B=E36957) O-RING 1A P 12.0	(C=E33946) 2	(D=E00605) 2	(E=E00590) 2					
		67	1	129795-77800	PLUG, GLOW	3	3	3	3	3	
68	1	119620-77820	CONNECTOR, GLOW PLUG	1	1	1	1	1	1		
69	1	22351-060012	SPRING PIN 6X12	2	2	2	2	2	2		

Remarks  
 (1) REPAIR PART.

Fig.5. SUCTION MANIFOLD & AIR CLEANER

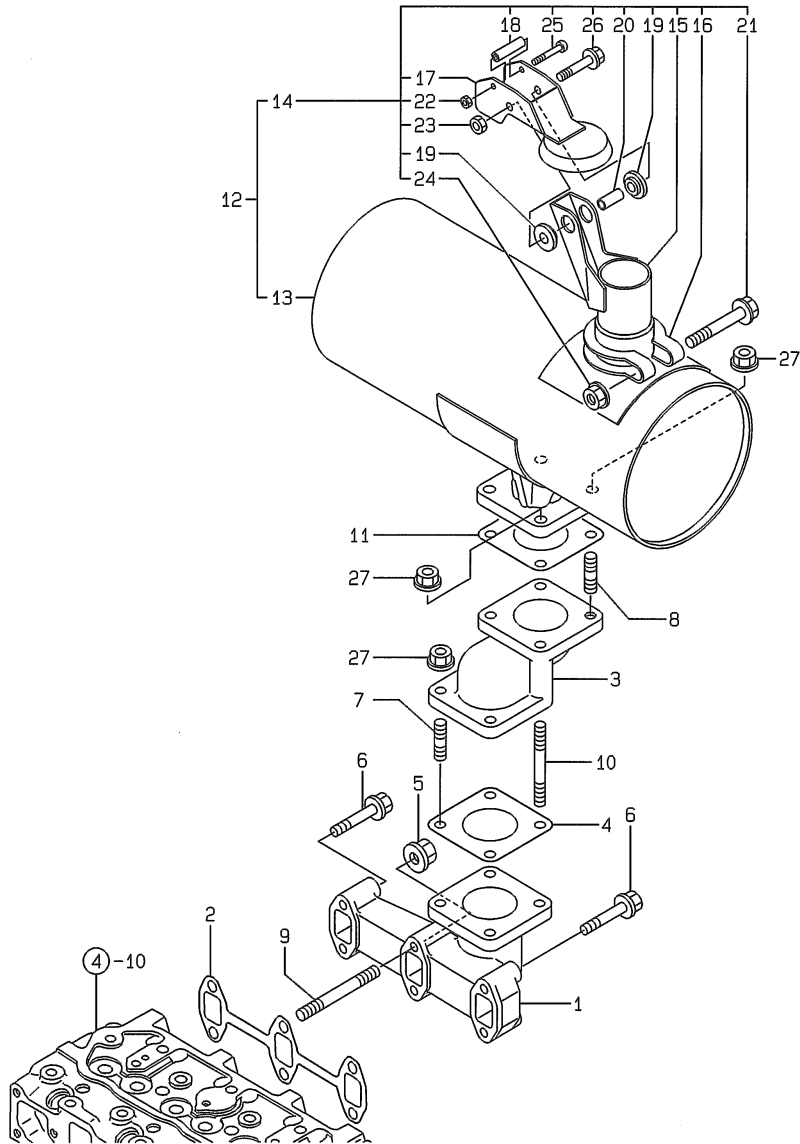


Y00R4511 5. SUCTION MANIFOLD & AIR CLEANER

(A)=3TNE68-SA (D)=3TNE68C-SA  
 (B)=3TNE68-G1A (E)=3TNE68C-G1A  
 (C)=3TNE68-G2A (F)=

REF.	LEV.	PARTS NO.	DESCRIPTION	QTY						I	R
				(A)	(B)	(C)	(D)	(E)	(F)		
1	1	119270-12100	MANIFOLD, SUCTION	1	1	1	1	1			
2	1	119270-12110	GASKET, SUC.MANIFOLD	1	1	1	1	1			
3	1	26106-060162	BOLT M 6X 16 PLATED	2	2	2	2	2			
4	1	26106-060282	BOLT M 6X 28 PLATED	1	1	1	1	1			
5	1	119489-12600	SUPPORT,AIR CLEANER	1	1	1	1	1			
6	1	119653-12500	CLEANER ASSY, AIR	1	1	1	1	1			
8	2	119655-12560	ELEMENT	1	1	1	1	1			
10	2	119808-12540	VALVE, UNLOADER	1	1	1	1	1			
11	1	119462-12550	PIPE,SUCTION	1	1	1	1	1			
12	1	119865-12600	STAY	1	1	1	1	1			
16	1	26106-080122	BOLT M 8X 12 PLATED	3	3	3					
I 16-1	1	26106-080122	BOLT M 8X 12 PLATED	2	2	2	2	2		K	
		(A=FROM 1ST) (B=FROM 1ST) (C=FROM 1ST)									
I 17	1	23000-054000	CLAMP 54	2	2	2	2	2		W	
		(A=EXXX) (B=EXXX) (C=EXXX)									
I 18	1	26106-060122	BOLT M 6X 12 PLATED	1	1	1	1	1		W	
		(A=FROM 1ST) (B=FROM 1ST) (C=FROM 1ST)									

Fig.6. EXHAUST MANIFOLD & SILENCER



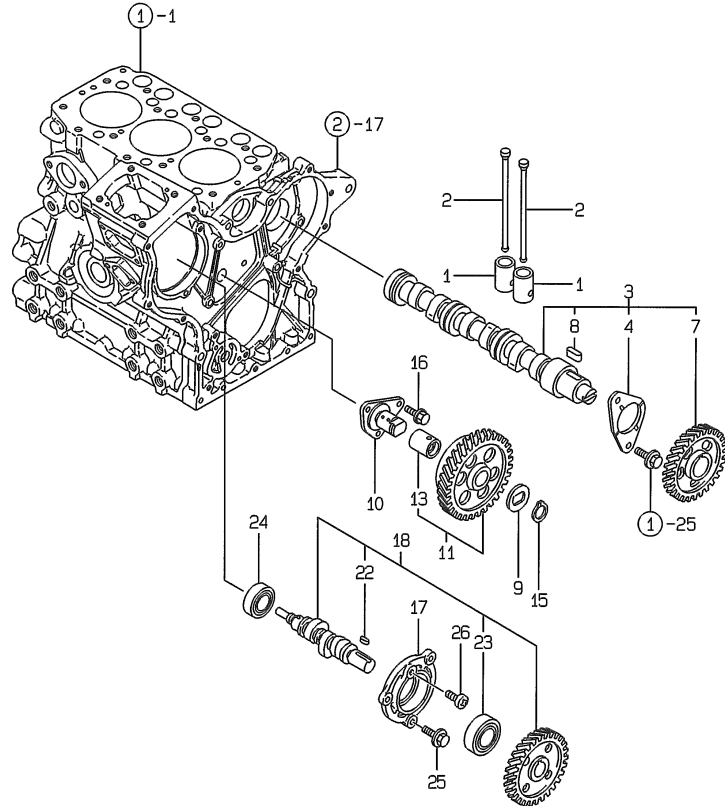
(A)=3TNE68-SA (D)=3TNE68C-SA  
 (B)=3TNE68-G1A (E)=3TNE68C-G1A  
 (C)=3TNE68-G2A (F)=

REF.	LEV.	PARTS NO.	DESCRIPTION	QTY						I	R
				(A)	(B)	(C)	(D)	(E)	(F)		
1	1	119253-13100	MANIFOLD, EXHAUST	1	1	1	1	1			
2	1	119260-13110	GASKET, EXH.MANIFOLD	1	1	1	1	1			
3	1	119840-13150	PIPE,EXHAUST	1	1	1	1	1			
4	1	121000-13201	GASKET, SILENCER	1	1	1	1	1			
I 5	1	26366-060002	NUT M 6	2	2	2	2	2			
I 6	1	26106-060402	BOLT M 6X 40 PLATED	4	4	4	4	4			
7	1	26216-080222	STUD M 8X 22 PLATED	2	2	2	2	2			
I 7-1	1	26216-080282	STUD M 8X 28 PLATED	2	2	2	2	2		N	
		(A=E44377) (B=E44756) (C=E44758) (D=E63367) (E=E01085)									
8	1	26216-080222	STUD M 8X 22 PLATED	2	2	2	2	2			
I 8-1	1	119131-18320	BOLT M 8X 22	2	2	2	2	2		N	
		(A=E38118) (B=E38573) (C=E38217) (D=E00792) (E=E00822)									
I 9	1	26216-060402	STUD M 6X 40 PLATED	2	2	2	2	2			
10	1	26216-080702	STUD M 8X 70 PLATED	2	2	2	2	2			
I 10-1	1	119823-13600	BOLT M8X70	2	2	2	2	2		N	
		(A=E41025) (B=E39656) (C=E39657) (D=E00804) (E=E00822)									
11	1	121000-13201	GASKET, SILENCER	1	1	1	1	1			
12	1	119620-13501	SILENCER	1	1	1	1	1			
13	2	119620-13510	MUFFLER BODY ASSY	1	1	1	1	1			
14	2	119620-13520	TAILPIPE ASSY	1	1	1	1	1			
15	3	119620-13560	TAILPIPE	1	1	1	1	1			
16	3	124664-13580	CLAMP	1	1	1	1	1			
17	3	119358-13640	RAINCAP,MUFFLER	1	1	1	1	1			
18	3	121855-13821	SPACER(A)	1	1	1	1	1			
19	3	121855-13830	SPACER(B)	2	2	2	2	2			
20	3	123500-13840	SPACER(C)	1	1	1	1	1			
21	3	26106-080552	BOLT M 8X 55 PLATED	1	1	1	1	1			
22	3	26347-040002	U-NUT M 4	1	1	1	1	1			
23	3	26347-060002	U NUT 6	1	1	1	1	1			
24	3	26366-080002	NUT M 8	1	1	1	1	1			
I 24-1	3	26306-080002	NUT	1	1	1	1	1		N	
		(A=EXXX) (B=EXXX) (C=EXXX) (D=EXXX) (E=EXXX)									
25	3	26557-040352	SCREW M 4X 35	1	1	1	1	1			
26	3	26106-060402	BOLT M 6X 40 PLATED	1	1	1	1	1			
27	1	194990-22050	NUT W/WASHER 8	6	6	6	6	6			
I 27-1	1	26306-080002	NUT	6	6	6	6	6		N	
		(A=EXXX) (B=EXXX) (C=EXXX) (D=EXXX) (E=EXXX)									

Fig.7. CAMSHAFT & DRIVING GEAR

(A)=3TNE68-SA (D)=3TNE68C-SA  
 (B)=3TNE68-G1A (E)=3TNE68C-G1A  
 (C)=3TNE68-G2A (F)=

Y00R4511 7. CAMSHAFT & DRIVING GEAR



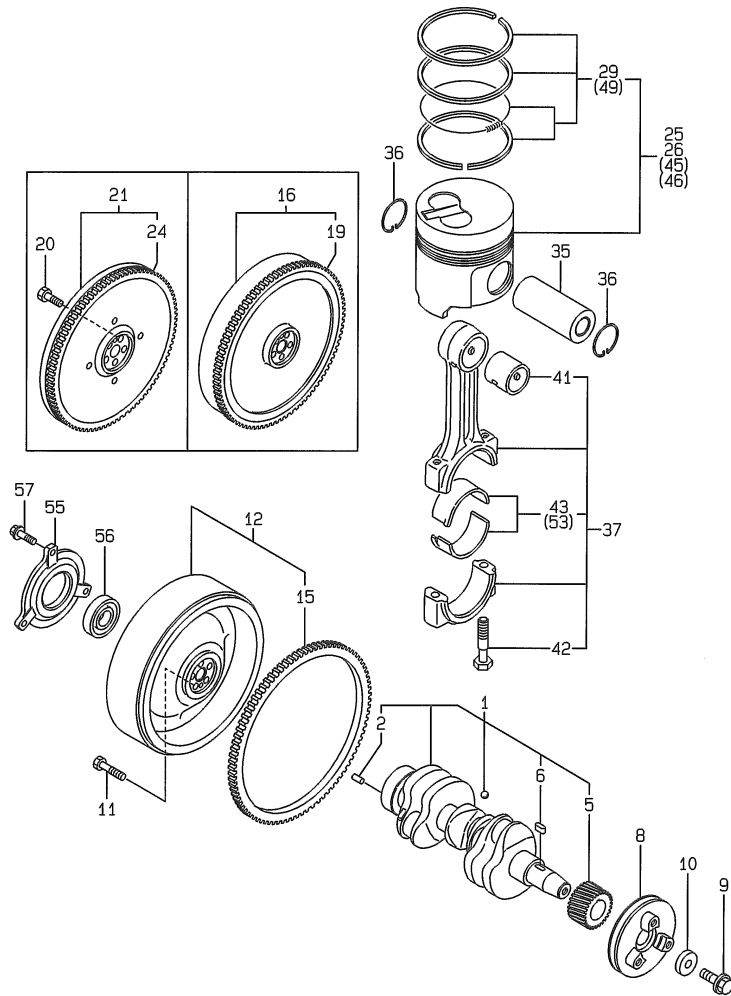
REF.	LEV.	PARTS NO.	DESCRIPTION	QTY						I	R
				(A)	(B)	(C)	(D)	(E)	(F)		
1	1	119260-14200	TAPPET	6	6	6	6	6			
2	1	119260-14400	ROD, PUSH	6	6	6	6	6			
3	1	119260-14580	CAMSHAFT ASSY	1	1	1	1	1			
4	2	119620-02450	BEARING, THRUST	1	1	1	1	1			
7	2	119260-14100	GEAR, CAMSHAFT	1	1	1	1	1			
8	2	22512-040120	KEY 4X 12	1	1	1	1	1			
9	1	119660-25022	RETAINER, IDLE GEAR	1	1	1	1	1			
10	1	119660-25052	SHAFT, IDLE GEAR	1	1	1	1	1			
11	1	119260-25100	GEAR W/BUSH, IDLE	1	1	1	1	1			
13	2	119620-25912	BUSH	1	1	1	1	1		1	
15	1	22242-000200	CIRCLIP 20	1	1	1	1	1			
16	1	26106-060122	BOLT M 6X 12 PLATED	3	3	3	3	3			
17	1	119660-01821	BEARING, FUEL CAM.	1	1	1	1	1			
18	1	119225-14200	CAM ASSY, F.I. PUMP	1	1	1	1	1			
22	2	22512-040120	KEY 4X 12	1	1	1	1	1			
23	2	24102-063034	BALL BEARING 6303U	1	1	1	1	1			
24	1	24101-062034	BALL BEARING	1	1	1	1	1			
25	1	26106-060162	BOLT M 6X 16 PLATED	3	3	3	3	3			
26	1	26587-080102	SCREW M 8X 10	1	1	1	1	1			

Remarks  
 (1) REPAIR PART.



Fig.8. CRANKSHAFT & PISTON

(A)=3TNE68-SA (D)=3TNE68C-SA  
 (B)=3TNE68-G1A (E)=3TNE68C-G1A  
 (C)=3TNE68-G2A (F)=

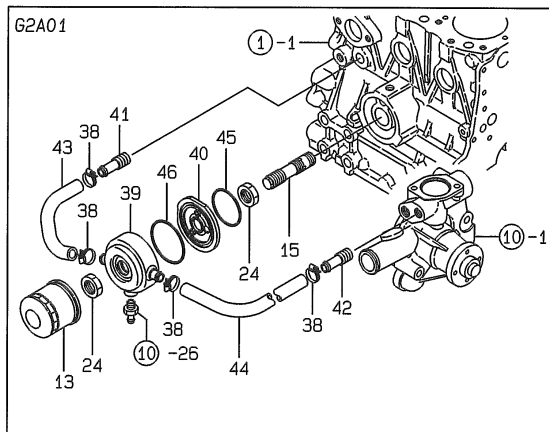
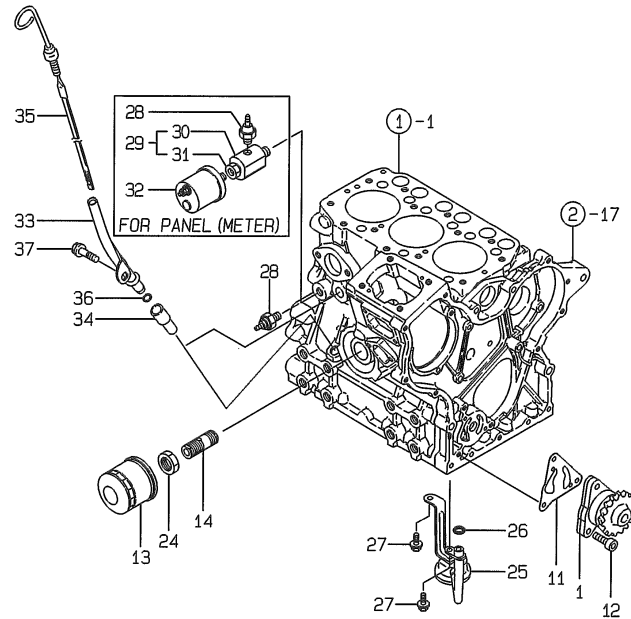


REF.	LEV.	PARTS NO.	DESCRIPTION	QTY						I	R
				(A)	(B)	(C)	(D)	(E)	(F)		
1	1	119265-21700	CRANKSHAFT ASSY	1	1	1	1	1			
2	2	129100-01580	PARALLEL PIN 8X16	1	1	1	1	1			
5	2	119260-21200	GEAR, CRANKSHAFT	1	1	1	1	1			
6	2	22512-040120	KEY 4X 12	1	1	1	1	1			
8	1	119260-21650	V-PULLEY	1	1	1	1	1			
9	1	119621-21680	BOLT M12X1.25,FLANGE	1	1	1	1	1			
10	1	119620-21941	WASHER	1	1	1	1	1			
11	1	121111-21501	BOLT, FLYWHEEL	5	5	5	5	5			
12	1	119688-21590	FLYWHEEL CMP	1	1	1	1	1			
15	2	119865-21600	GEAR, RING	1	1	1	1	1			
16	1	119600-21580	FLYWHEEL ASSY	1		1	1				
19	2	119865-21600	GEAR, RING	1		1	1				
20	1	119620-21500	BOLT, FLYWHEEL	5		5	5				
21	1	119620-21591	FLYWHEEL W/RING GEAR	1		1	1				
24	2	124060-21600	GEAR, RING	1		1	1				
25	1	119265-22601	PISTON W/RINGS	3	3		3	3			
26	1	119265-22090	PISTON W/RINGS			3					
29	2	119265-22500	RING SET	3	3	3	3	3			
35	1	119265-22300	PIN, PISTON	3	3	3	3	3			
36	1	22252-000200	CIRCLIP 20	6	6	6	6	6			
37	1	119265-23100	ROD ASSY, CONNECTING	3	3	3	3	3			
41	2	119260-23910	BUSH, PISTON PIN	3	3	3	3	3		1	
42	2	119265-23200	BOLT, ROD	6	6	6	6	6			
43	2	719260-23600	BEARING, CRANKPIN	3	3	3	3	3			
45	1	119265-22930	PISTON W/RING OS=.25	3	3		3	3		2	
46	1	119265-22900	PISTON ASSY O.S=.25			3				2	
49	2	119265-22950	RING SET O.S=.25	3	3	3	3	3		2	
53	1	719260-23610	BEARING,PIN U.S=.25	3	3	3	3	3		3	
I 55	1	119888-21450	RETAINER, BEARING	1			1			W	
		(A=FROM 1ST)									
I 56	1	24107-062054	BALL BEARING	1			1			W	
		(A=FROM 1ST)									
I 57	1	26106-080222	BOLT M 8X 22 PLATED	3			3			W	
		(A=FROM 1ST)									

Remarks  
 (1) REPAIR PART.  
 (2) OVER-SIZE(O.S=0.25)PART.  
 (3) UNDER-SIZE(U.S=0.25)PART.

Fig.9. LUB.OIL SYSTEM

(A)=3TNE68-SA (D)=3TNE68C-SA  
 (B)=3TNE68-G1A (E)=3TNE68C-G1A  
 (C)=3TNE68-G2A (F)=

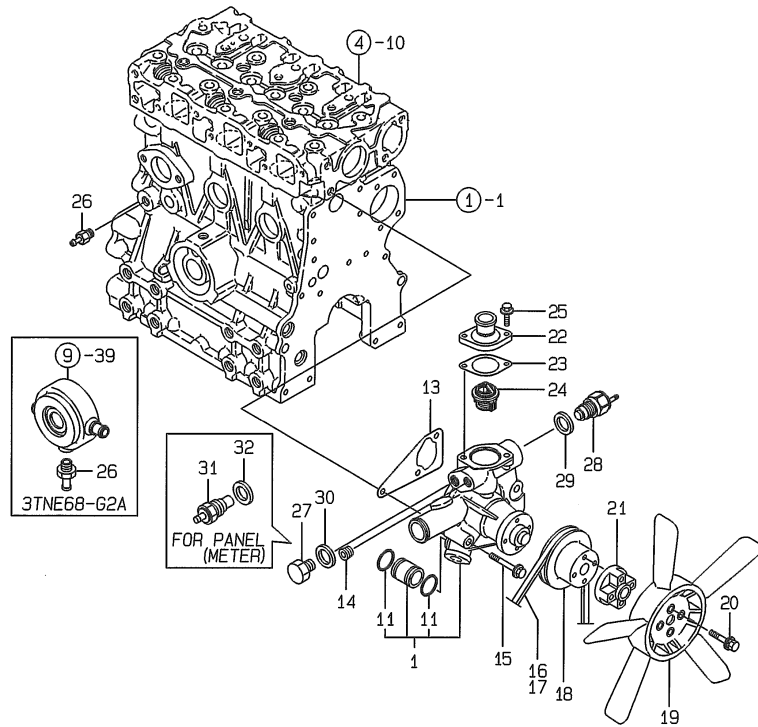


REF.	LEV.	PARTS NO.	DESCRIPTION	QTY						I	R
				(A)	(B)	(C)	(D)	(E)	(F)		
1	1	119260-32000	PUMP ASSY, LUB. OIL	1	1	1	1	1			
11	1	119660-32020	GASKET, L.O.PUMP	1	1	1	1	1			
12	1	26450-060202	BOLT M 6X 20	3	3	3	3	3			
13	1	119305-35150	FILTER, LUB. OIL	1	1	1	1	1			
14	1	119225-35300	VALVE ASSY,OIL PRESS	1	1			1	1		
15	1	119265-35300	VALVE ASSY,OIL PRESS			1					
24	1	129150-35350	NUT	1	1	2	1	1			
25	1	119260-35081	PIPE ASSY,OIL INTAKE	1	1	1	1	1			
26	1	24311-000120	O-RING 1A P 12.0	1	1	1					
I 26-1	1	24311-000110	O-RING 1A P-11.0	1	1	1	1	1			R
		(A=E31086) (B=E33561) (C=E31085) (D=E00605) (E=E00590)									
I 26-2	1	119209-35030	O-RING	1	1	1	1	1			R
27	1	26106-060122	BOLT M 6X 12 PLATED	2	2	2	2	2			
28	1	124160-39450	SWITCH, OIL PRESSURE	1	1	1	1	1			
29	1	171375-39600	DAMPER ASSY	1	1	1	1	1			1
I 29-1	1	171375-39601	DUMPER ASSY	1	1	1	1	1			R 1
		(A=E21604) (B=E28743) (C=E23781) (D=E00493) (E=E00489)									
I 30	2	129470-39610	DAMPER	1	1	1	1	1			Z 1
		(A=E21604) (B=E28743) (C=E23781) (D=E00493) (E=E00489)									
I 31	2	23161-020100	BUSH PT1/4X1/8	1	1	1	1	1			Z 1
		(A=E21604) (B=E28743) (C=E23781) (D=E00493) (E=E00489)									
32	1	144626-91560	TACHO UNIT	1	1	1	1	1			1
33	1	119225-34810	GUIDE, DIPSTICK	1	1	1	1	1			
34	1	119260-34810	GUIDE, DIPSTICK	1	1	1	1	1			
35	1	119620-34822	DIPSTICK, LUB. OIL	1	1	1					
I 35-1	1	119285-34821	DIPSTICK, LUB. OIL	1	1	1	1	1			N
		(A=E15864) (B=E15735) (C=E23781)									
36	1	24311-240100	O-RING 1A P-10A	1	1	1	1	1			
37	1	26106-060102	BOLT M 6X 10 PLATED	1	1	1	1	1			
38	1	171008-03990	CLAMP 18.5			4					
39	1	119642-33030	COOLER, OIL			1					
40	1	119642-33100	BRACKET			1					
41	1	129122-44480	JOINT			1					
42	1	129122-44480	JOINT			1					
43	1	119642-49030	PIPE			1					
44	1	129403-49050	PIPE,COOLER-C.W.PUMP			1					
45	1	24321-000600	O-RING 1A G-60.0			1					
46	1	24321-000700	O-RING 1A G70.0,NBR			1					

Remarks  
 (1) FOR PANEL(METER).

Fig.10. COOLING WATER SYSTEM

(A)=3TNE68-SA (D)=3TNE68C-SA  
 (B)=3TNE68-G1A (E)=3TNE68C-G1A  
 (C)=3TNE68-G2A (F)=



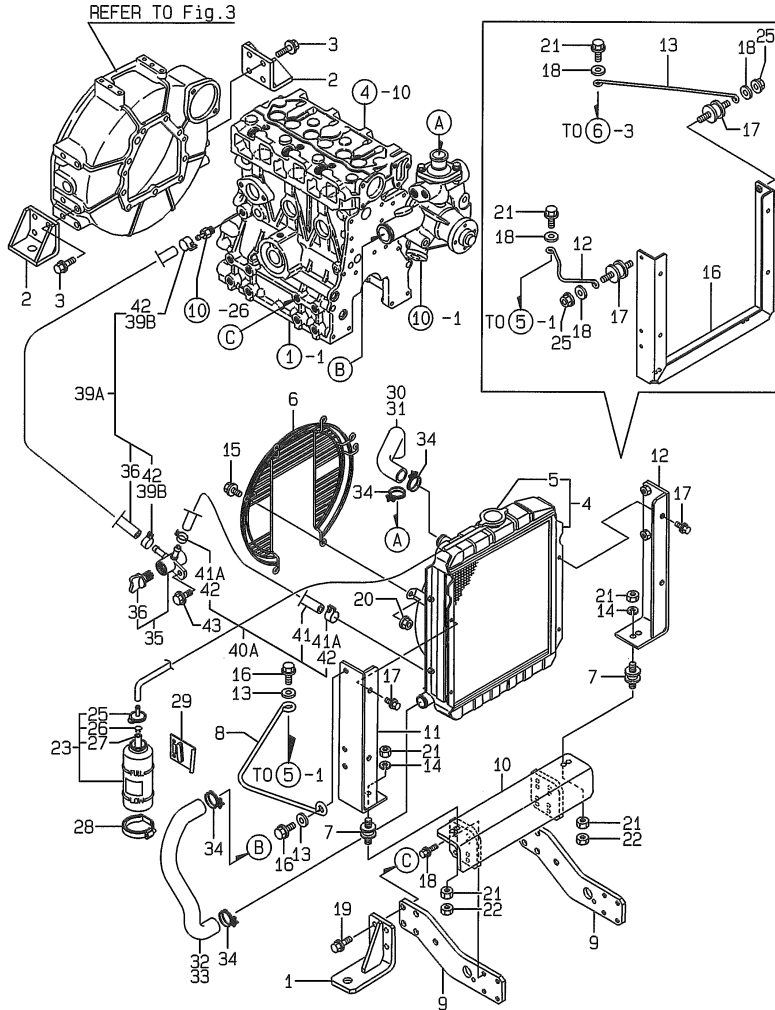
REF.	LEV.	PARTS NO.	DESCRIPTION	QTY						I	R
				(A)	(B)	(C)	(D)	(E)	(F)		
1	1	119265-42002	PUMP ASSY, C. WATER	1	1	1	1	1			
11	2	24311-000210	O-RING 1A P-21.0	2	2	2	2	2			
13	1	119260-42020	GASKET, C.W. PUMP	1	1	1	1	1			
14	1	171056-49120	PLUG, DRAIN	1	1			1	1		
15	1	26106-080452	BOLT M 8X 45 PLATED	3	3	3	3	3			
16	1	104514-42780	V-BELT (HM-33)	1	1			1	1		
17	1	119256-42290	V-BELT 33.5					1			
I 17-1	1	104514-42780	V-BELT (HM-33) (C=E23781)			1					N
18	1	119620-42350	V-PULLEY, C.W. PUMP	1	1	1	1	1			
19	1	124700-44740	FAN, COOLING	1	1	1	1	1			
20	1	26014-060352	BOLT M 6X 35	4	4	4	4	4			
21	1	121267-44760	SPACER	1	1	1	1	1			
22	1	129350-49530	COVER, THERMOSTAT	1	1	1	1	1			
23	1	129350-49541	GASKET, (NON-ASB.)	1	1	1	1	1			
24	1	129350-49800	THERMOSTAT (71 C)	1	1	1	1	1			
25	1	26106-080202	BOLT M 8X 20 PLATED	2	2	2	2	2			
26	1	121550-49111	JOINT PT1/4	1	1	1	1	1			
27	1	121450-42450	PLUG M16	1	1	1	1	1			
28	1	121250-44901	SWITCH, THERMO(110 C)	1	1	1	1	1			
29	1	124465-44950	GASKET 16	1	1	1	1	1			
30	1	124465-44950	GASKET 16	1	1	1	1	1			
31	1	124250-49351	THERMOMETER	1	1	1	1	1			1
32	1	129150-49360	GASKET 10	1	1	1	1	1			1

Remarks  
 (1) FOR PANEL(METER).



Fig.11. RADIATOR

(A)=3TNE68-SA (D)=3TNE68C-SA  
 (B)=3TNE68-G1A (E)=3TNE68C-G1A  
 (C)=3TNE68-G2A (F)=

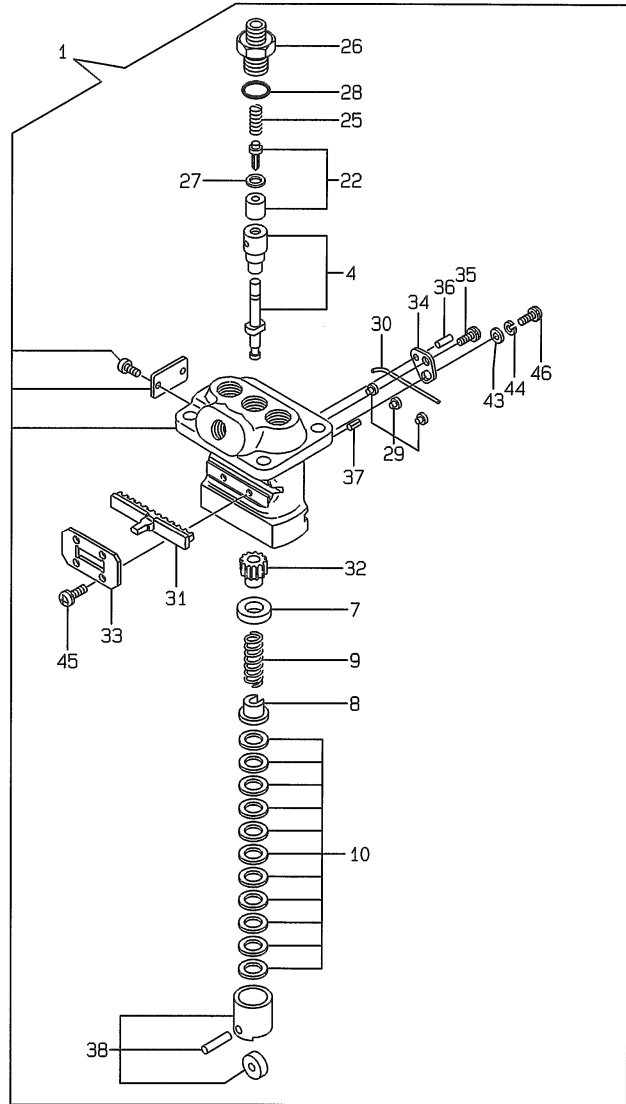


REF.	LEV.	PARTS NO.	DESCRIPTION	QTY						I	R
				(A)	(B)	(C)	(D)	(E)	(F)		
I 39B	2	124766-59050 (A=E43436)	CLAMP 12 (B=E43760)	2	2		2	2			W
I 40	2	121750-49150	PIPE, C. WATER (D=E01000)	1	1		1	1			
I 40A	1	129210-49110 (A=E43436)	PIPE ASSY, DRAIN (B=E43760)	1	1		1	1			W
I 41	2	121023-49150	HOSE, WATER DRAIN 165	1	1		1	1			
I 41A	2	124766-59050 (A=E43436)	CLAMP 12 (B=E43760)	2	2		2	2			W
I 42	1	124766-59050 (A=E43436)	CLAMP 12 (B=E43760)	4	4		4	4			Z
I 43	1	26106-080162	BOLT M 8X 16 PLATED (D=E01000)	1	1		1	1			
I 44	1	119265-44950 (A=E43436)	RETAINER (B=E43760)	1	1		1	1			W
I 45	1	26366-060002 (A=E43436)	NUT M 6 (B=E43760)	2	2		2	2			W
I 46	1	127694-91050 (A=E43436)	GROMMET (B=E43760)	2	2		2	2			W

Remarks  
 (1) LOOSE PART.

Fig.12. FUEL INJECTION PUMP

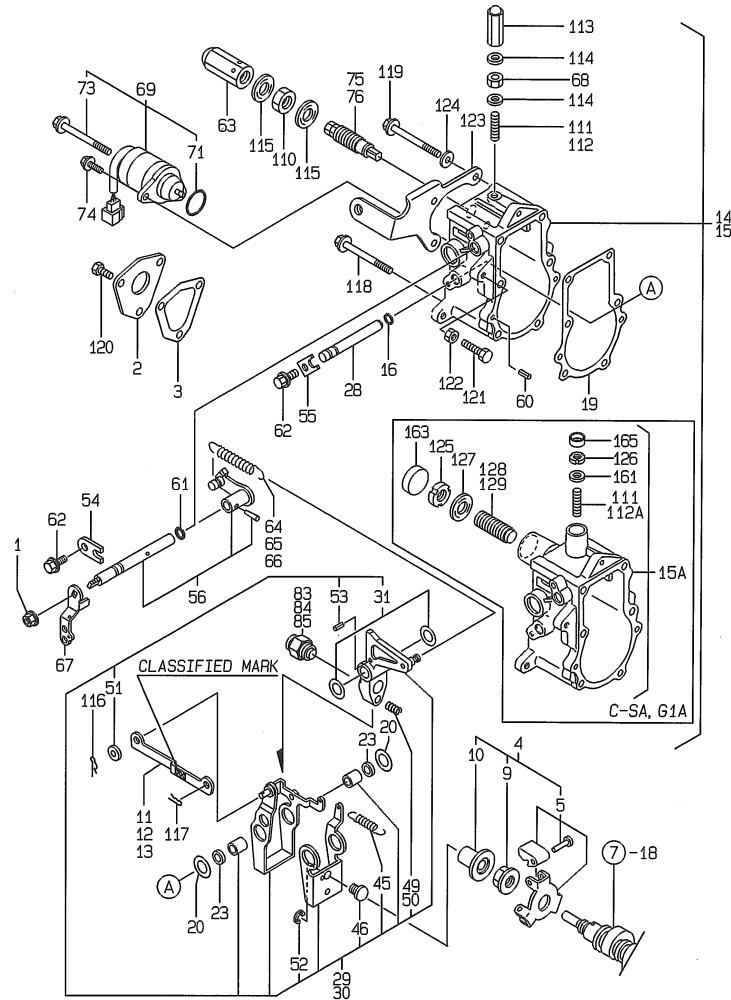
(A)=3TNE68-SA (D)=3TNE68C-SA  
 (B)=3TNE68-G1A (E)=3TNE68C-G1A  
 (C)=3TNE68-G2A (F)=



REF.	LEV.	PARTS NO.	DESCRIPTION	QTY						I	R
				(A)	(B)	(C)	(D)	(E)	(F)		
1	1	719225-51100	F.I.PUMP ASSY	1	1	1	1	1			
4	2	119225-51100	PLUNGER W/BARREL	3	3	3	3	3			
7	2	119620-51170	RETAINER	3	3	3	3	3			
8	2	119620-51180	RETAINER	3	3	3	3	3			
9	2	119620-51190	SPRING, PLUNGER	3	3	3	3	3			
10	2	119620-51250	SHIM PACK	3	3	3	3	3			
22	2	119225-51300	VALVE W/SEAT, DELIV.	3	3	3	3	3			
25	2	105546-51330	SPRING, DELIV. VALVE	3	3	3	3	3			
26	2	119620-51340	HOLDER, DELIV. VALVE	3	3	3	3	3			
27	2	119620-51350	GASKET, DELIVERY	3	3	3	3	3			
28	2	119620-51370	O-RING	3	3	3	3	3			
29	2	119620-51450	GUIDE, PLUNGER	3	3	3	3	3			
30	2	119620-51461	PIN	1	1	1	1	1			
31	2	119660-51500	RACK	1	1	1	1	1			
32	2	119620-51510	PINION	3	3	3	3	3			
33	2	119660-51530	RETAINER, RACK	1	1	1	1	1			
34	2	119620-51650	PLATE	2	2	2	2	2			
35	2	119620-51660	SCREW	2	2	2	2	2			
36	2	119620-51670	PIN	2	2	2	2	2			
37	2	119620-51680	PIN	1	1	1	1	1			
38	2	119620-51700	TAPPET ASSY	3	3	3	3	3			
43	2	22137-040000	WASHER 4, POLISHED	2	2	2	2	2			
44	2	22217-040000	SPRING WASHER 4	2	2	2	2	2			
45	2	26022-040082	SCREW M 4X 8	4	4	4	4	4			
46	2	26587-040102	SCREW M 4X 10	2	2	2	2	2			

Fig.13. GOVERNOR

(A)=3TNE68-SA (D)=3TNE68C-SA  
 (B)=3TNE68-G1A (E)=3TNE68C-G1A  
 (C)=3TNE68-G2A (F)=



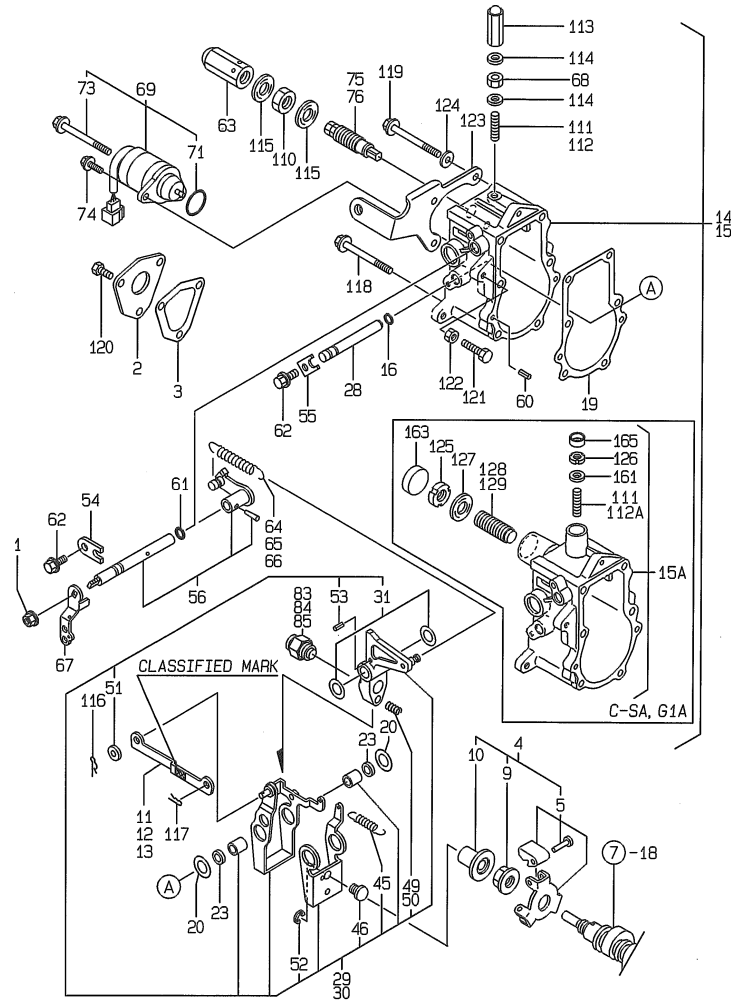
REF.	LEV.	PARTS NO.	DESCRIPTION	QTY						I	R
				(A)	(B)	(C)	(D)	(E)	(F)		
1	1	194990-22050	NUT W/WASHER 8	1	1	1	1	1			
2	1	119660-61060	COVER, GOVERNOR CASE	1	1	1	1	1			
3	1	119660-61071	GASKET, (NON-ASB.)	1	1	1	1	1			
4	1	119600-61100	DRIVING SET, GOV.	1	1	1	1	1			
5	2	119600-61200	WEIGHT ASSY, GOV.	1	1	1	1	1			
9	2	119660-61300	NUT, GOVERNOR WEIGHT	1	1	1	1	1			
10	2	119660-61341	SLEEVE, GOVERNOR	1	1	1	1	1			
11	1	119660-61121	LINK L=88.8(NO COLOR)	1	1	1	1	1		1	
12	1	119660-61140	LINK L=88.6(WHITE)	1	1	1	1	1		1	
13	1	119660-61150	LINK L=89.0(RED)	1	1	1	1	1		1	
14	1	119632-61200	CASE ASSY, GOVERNOR	1	1						
15	1	119288-61200	CASE ASSY, GOVERNOR			1					
I 15A	1	119623-61200	CASE ASSY, GOVERNOR						1	1	
16	2	129155-51280	O-RING S6	1	1	1	1	1			
19	2	119660-61052	GASKET, (NON-ASB.)	1	1	1	1	1			
20	2	119660-61460	SHIM SET	1	1	1	1	1			
23	2	129155-61480	SPACER ASSY	2	2	2	2	2			
28	2	119660-61491	SHAFT,GOVERNOR LEVER	1	1	1	1	1			
29	2	119232-61510	LEVER ASSY, GOVERNOR	1	1		1	1			
30	2	119288-61510	LEVER ASSY, GOVERNOR			1					
31	3	174307-51700	SHIM SET	2	2	2	2	2			
45	3	119232-61540	SPRING, LEVER	1	1	1	1	1			
46	3	119600-61541	SHIFTER,P.T.O.	1	1	1	1	1			
49	3	119660-61651	SPRING, STARTING	1	1		1	1			
50	3	119600-61650	SPRING, STARTING			1					
51	3	22117-040000	WASHER 4	1	1	1	1	1			
52	3	22272-000040	CIRCLIP E- 4	1	1	1	1	1			
53	3	22351-030014	SPRING PIN 3X14	1	1	1	1	1			
54	2	119600-61900	RETAINER, SHAFT	1	1	1	1	1			
55	2	119660-61901	RETAINER, SHAFT	1	1	1	1	1			
56	2	119285-66080	SHAFT ASSY,REGULATOR	1	1	1	1	1			
60	2	22351-040010	SPRING PIN 4X10	2	2	2	2	2			
61	2	24341-000070	O-RING 1A S-7.0	1	1	1	1	1			
62	2	26106-060102	BOLT M 6X 10 PLATED	2	2	2	2	2			
63	1	129100-61930	NUT, CAP	1	1	1					
64	1	119600-66020	SPRING, REGULATOR	1			1				
65	1	119489-66010	SPRING, REGULATOR		1			1			
66	1	119260-66010	SPRING, REGULATOR			1					
67	1	119621-66051	LEVER, REGULATOR	1	1	1	1	1			
68	1	124550-66370	LOCK NUT M 6	1	1	1					
69	1	119653-66500	ENGINE STOP DEVICE	1	1	1	1	1			
71	2	24341-000280	O-RING 1A S-28.0	1	1	1	1	1			
73	2	26106-060952	BOLT M 6X 95 PLATED	1	1	1	1	1			
74	1	121465-59950	BOLT M 6X 16, PLATED	1	1	1	1	1			
75	1	119600-66530	TORQUE SPRING ASSY	1							
76	1	119629-66510	TORQUE SPRING ASSY		1	1					
83	1	119654-66700	ANGLEIGH ASSY	1			1				
84	1	119610-66700	ANGLEICH ASSY		1			1			
85	1	119260-66720	ANGLEICH ASSY			1					
110	1	26776-120002	LOCK NUT M12 PLATED	1	1	1					
111	1	121575-66830	SCREW, ADJUST	1		1		1			
112	1	171002-66830	SCREW, ADJUST		1						
I 112A	1	119988-61460	BOLT, REVOL. LIMIT					1			
113	1	119600-66840	NUT, CAP	1	1	1					

Remarks  
 (1) SELECTIVE PARTS : CERTAIN THE CLASSIFICATION MARK, THEN PLACE YOUR ORDER.(REF. TO ILLUSTRATION)  
 (2) REPAIR PART.

++ CONTINUE ++

Fig.13. GOVERNOR

(A)=3TNE68-SA (D)=3TNE68C-SA  
 (B)=3TNE68-G1A (E)=3TNE68C-G1A  
 (C)=3TNE68-G2A (F)=

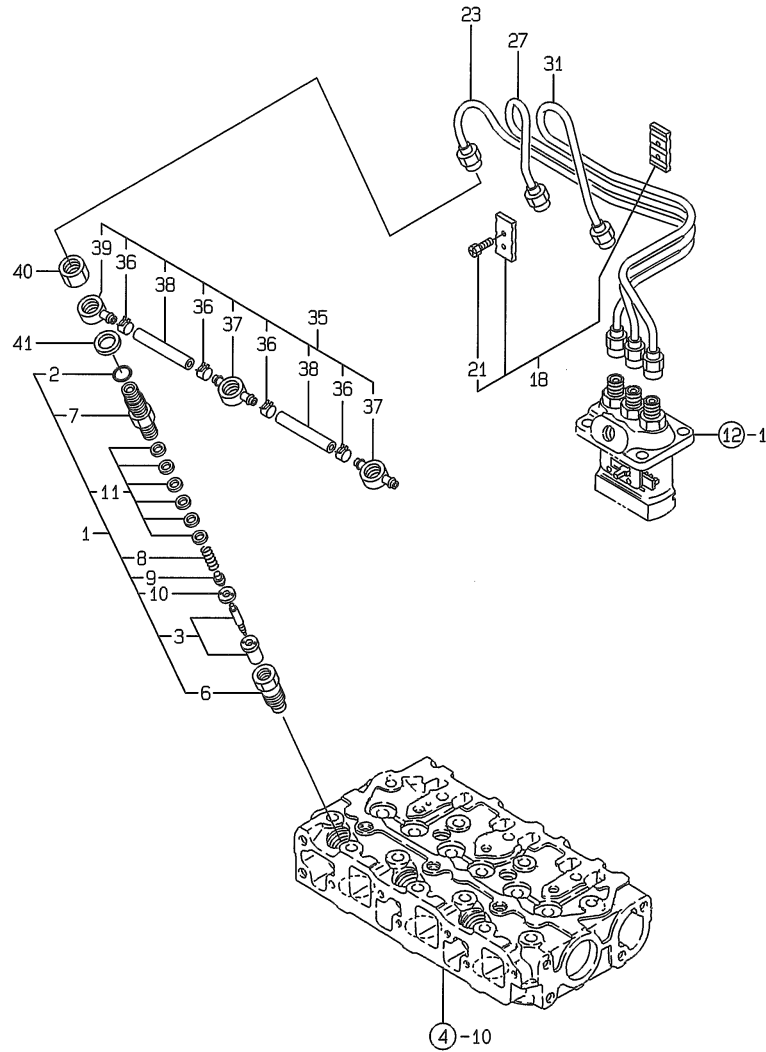


REF.	LEV.	PARTS NO.	DESCRIPTION	QTY						I	R
				(A)	(B)	(C)	(D)	(E)	(F)		
114	1	22190-060003	WAHER 6, SEAL	2	2	2					
115	1	22190-120002	SEAL WASHER 12	2	2	2					
116	1	22360-040000	SNAP PIN 4	1	1	1	1	1			
117	1	22360-060000	SNAP PIN 6	1	1	1	1	1			
118	1	26106-060702	BOLT M 6X 70 PLATED	2	2	2	2	2			
119	1	26106-060752	BOLT M 6X 75 PLATED	3	3	3	3	3			
120	1	26116-050102	BOLT M 5X 10 PLATED	3	3	3	3	3			
121	1	26116-060304	BOLT M 6X 30 PLATED	1	1	1	1	1			
122	1	26756-060002	LOCK NUT 6	1	1	1	1	1			
123	1	119288-55900	BRACKET, FUEL FILTER	1	1	1					
I 123-1	1	119288-55901	BRACKET	1	1	1	1	1			N
		(A=E16738) (B=E28743) (C=E23781)									
124	1	22111-060000	WASHER 6	3	3	3	3	3			
I 125	1	119685-61940	CARB NUT(FO-LIMIT						1	1	
I 126	1	119685-61950	CARB NUT(HI-IDLE						1	1	
I 127	1	22190-120002	SEAL WASHER 12						1	1	
I 128	1	119621-66500	LIMITTER, FUEL OIL						1		
I 129	1	119489-66500	FUEL LIMITR(CARB ASY							1	
I 161	2	22190-060003	WAHER 6, SEAL						1	1	
I 163	1	119621-66610	PLUG 22						1	1	2
I 165	1	119621-66710	PLUG 14						1	1	2

Remarks  
 (1) SELECTIVE PARTS : CERTAIN THE CLASSIFICATION MARK, THEN PLACE YOUR ORDER.(REF. TO ILLUSTRATION)  
 (2) REPAIR PART.



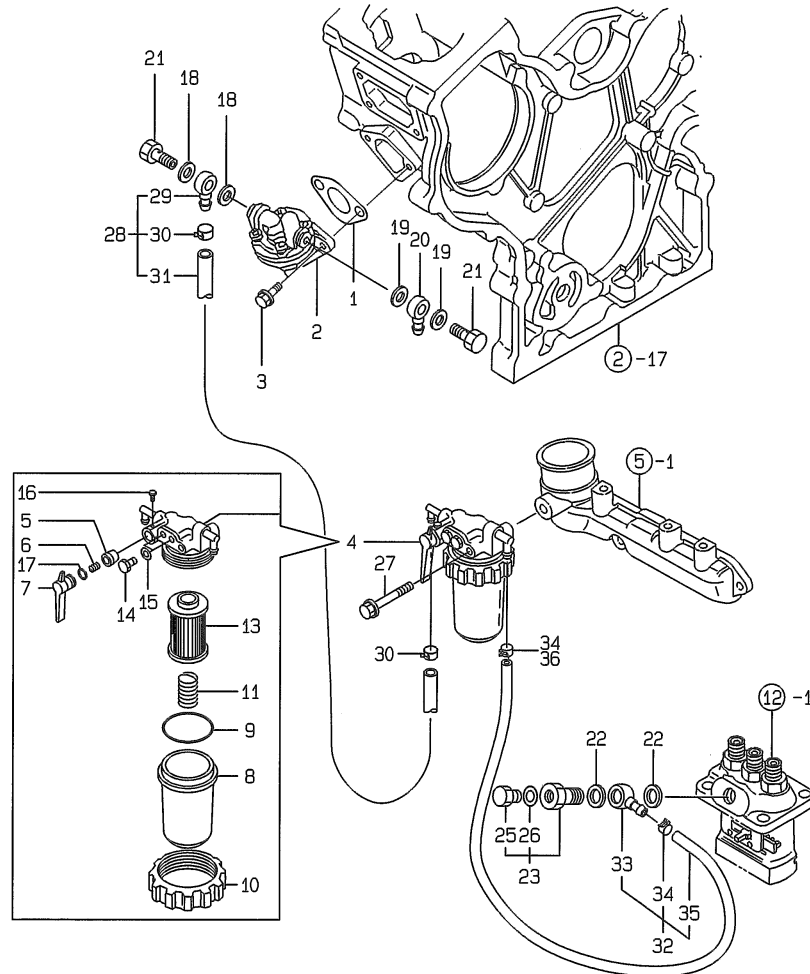
Fig.14. FUEL INJECTION VALVE



(A)=3TNE68-SA (D)=3TNE68C-SA  
 (B)=3TNE68-G1A (E)=3TNE68C-G1A  
 (C)=3TNE68-G2A (F)=

REF.	LEV.	PARTS NO.	DESCRIPTION	QTY						I	R
				(A)	(B)	(C)	(D)	(E)	(F)		
1	1	719620-53700	VALVE ASSY, F.INJECT	3	3	3	3	3			
2	2	129155-51580	O-RING	3	3	3					
I	2-1	2	129155-61830	O-RING S10	3	3	3	3	3		N
3	2	119620-53000	NOZZLE ASSY,F.INJECT	3	3	3	3	3			
6	2	119620-53080	NUT, VALVE W/CASE	3	3	3	3	3			
7	2	119620-53100	HOLDER, VALVE W/CASE	3	3	3	3	3			
8	2	119620-53120	SPRING, VALVE	3	3	3	3	3			
9	2	114250-53130	SEAT, NOZZLE SPRING	3	3	3	3	3			
10	2	119620-53140	SPACER, VALVE STOP	3	3	3	3	3			
11	2	114250-53400	SHIM PACK	3	3	3	3	3			
18	1	129150-59120	RETAINER, INJ. PIPE	1	1	1	1	1			
21	2	129150-59131	BOLT M4X14,HEX.SCKT.	2	2	2	2	2			
23	1	119225-59810	PIPE (1),FUEL INJECT	1	1	1	1	1			
I	23-1	1	119209-59810	PIPE (1),FUEL INJECT	1	1	1	1	1		N
27	1	119260-59820	PIPE (2),FUEL INJECT	1	1	1	1	1			
I	27-1	1	119209-59820	PIPE (2),FUEL INJECT	1	1	1	1	1		N
31	1	119260-59830	PIPE (3),FUEL INJECT	1	1	1	1	1			
I	31-1	1	119209-59830	PIPE (3),FUEL INJECT	1	1	1	1	1		N
35	1	119260-59540	PIPE ASSY, FUEL OVER	1	1	1	1	1			
36	2	124066-59100	CLAMP 8	4	4	4	4	4			
37	2	119260-59530	JOINT (A)	2	2	2	2	2			
38	2	119260-59550	PIPE, FUEL	2	2	2	2	2			
39	2	119260-59520	JOINT (B)	1	1	1	1	1			
40	1	119620-59700	NUT	3	3	3	3	3			
41	1	23414-140000	GASKET 14, ROUND	3	3	3	3	3			

Fig.15. FUEL FILTER



Y00R4511 15. FUEL FILTER

(A)=3TNE68-SA (D)=3TNE68C-SA  
 (B)=3TNE68-G1A (E)=3TNE68C-G1A  
 (C)=3TNE68-G2A (F)=

REF.	LEV.	PARTS NO.	DESCRIPTION	QTY						I	R
				(A)	(B)	(C)	(D)	(E)	(F)		
1	1	121520-01851	GASKET, (NON-ASB.)	1	1	1	1	1			
2	1	119600-52021	PUMP ASSY, FUEL FEED	1	1	1	1	1			
3	1	26106-060162	BOLT M 6X 16 PLATED	2	2	2	2	2			
4	1	171059-55600	STRAINER ASSY, FUEL	1	1	1	1	1			
5	2	104200-55321	VALVE, TAPER	1	1	1	1	1			
6	2	104200-55330	SPRING, TAPER VALVE	1	1	1	1	1			
7	2	104200-55341	HANDLE, COCK	1	1	1	1	1			
8	2	121254-55510	CUP, STRAINER	1	1	1	1	1			
9	2	102103-55520	O-RING	1	1	1	1	1			
10	2	110250-55610	RING, RETAINING	1	1	1	1	1			
11	2	121250-55620	SPRING	1	1	1	1	1			
13	2	124550-55700	ELEMENT	1	1	1	1	1			
14	2	101720-55750	PLUG 6	2	2	2	2	2			
15	2	23418-060000	GASKET 6, NYLON	2	2	2	2	2			
16	2	104200-55750	SCREW M 4	1	1	1	1	1			
17	2	24311-240100	O-RING 1A P-10A	1	1	1	1	1			
18	1	22190-080002	SEAL WASHER 8S	2	2	2	2	2			
19	1	22190-080002	SEAL WASHER 8S	2	2	2	2	2			
20	1	104264-59030	JOINT 8, PIPE	1	1	1	1	1			
21	1	105582-59150	BOLT, PIPE JOINT	2	2	2	2	2			
22	1	104200-59170	GASKET 12	2	2	2	2	2			
23	1	103854-59191	BOLT W/PLUG & SEAL	1	1	1	1	1			
25	2	124060-59380	PLUG	1	1	1	1	1			
26	2	22190-060002	SEAL WASHER 6S	1	1	1	1	1			
27	1	26014-080702	BOLT W/WASHER M8X 70	1	1	1	1	1			
28	1	119260-59020	PIPE,FUEL (D12XL400)	1	1	1	1	1			
29	2	104264-59030	JOINT 8, PIPE	1	1	1	1	1			
30	2	124766-59050	CLAMP 12	2	2	2	2	2			
31	2	121236-59080	PIPE,FUEL (D12XL400)	1	1	1	1	1			
I 31-1	2	121024-59090	PIPE,FUEL (D12XL450)	1	1	1	1	1		N	
		(A=E10627) (B=E10548) (C=E23781)									
32	1	119260-59030	PIPE W/JOINT, FUEL	1	1	1					
I 32-1	1	119260-59031	PIPE W/JOINT, FUEL	1	1	1				N	
		(A=E10627) (B=E10548) (C=E23781)									
I 32-2	1	124160-59011	PIPE ASSY, FUEL OIL	1	1	1	1	1		N	
		(A=E10627) (B=E10548) (C=E23781)									
I 32-3	1	119621-59010	PIPE ASSY, FUEL	1	1	1				N	
		(A=E63287) (B=E62973) (C=E62685)									
33	2	101304-59020	JOINT 12, PIPE	1	1	1	1	1			
34	2	124766-59050	CLAMP 12	2	2	2					
I 34-1	2	124766-59050	CLAMP 12	1	1	1	1	1		K	
		(A=E10627) (B=E10548) (C=E23781)									
I 34-2	2	124766-59050	CLAMP 12	2	2	2				K	
		(A=E63287) (B=E62973) (C=E62685)									
35	2	105990-59560	PIPE, FUEL	1	1	1					
I 35-1	2	124767-59080	PIPE, F.O.	1	1	1				N	
		(A=E10627) (B=E10548) (C=E23781)									
I 35-2	2	124160-59080	PIPE	1	1	1	1	1		N	
		(A=E10627) (B=E10548) (C=E23781)									
I 35-3	2	121024-59090	PIPE,FUEL (D12XL450)	1	1	1				N	
		(A=E63287) (B=E62973) (C=E62685)									
I 36	1	124766-59050	CLAMP 12	1	1	1	1	1		W	
		(A=E10627) (B=E10548) (C=E23781)									
I 36-1	1	124766-59050	CLAMP 12	1	1	1				Z	

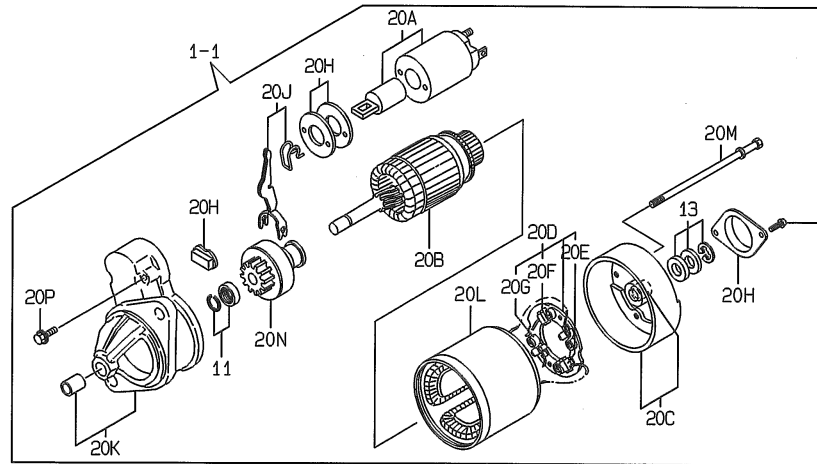
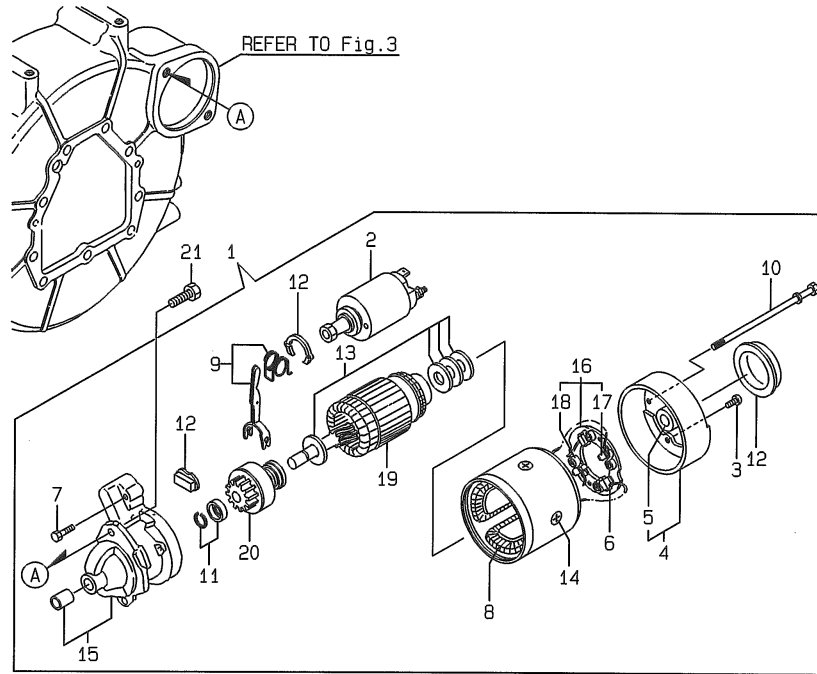
++ CONTINUE ++





Fig.17. STARTING MOTOR

(A)=3TNE68-SA (D)=3TNE68C-SA  
 (B)=3TNE68-G1A (E)=3TNE68C-G1A  
 (C)=3TNE68-G2A (F)=

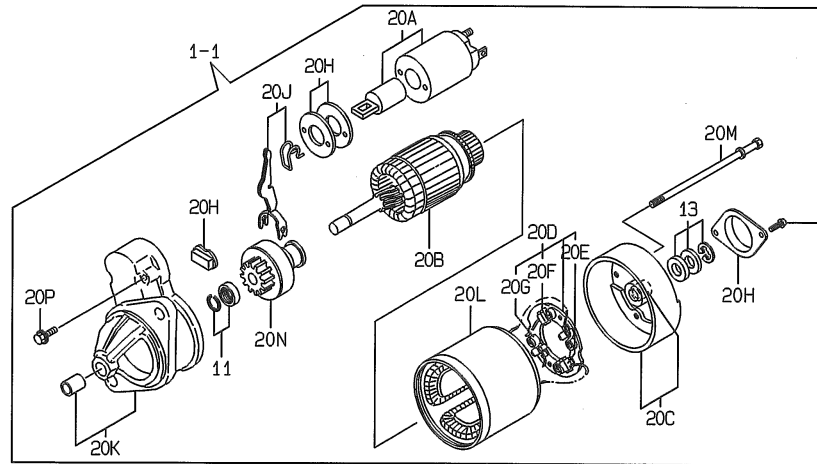
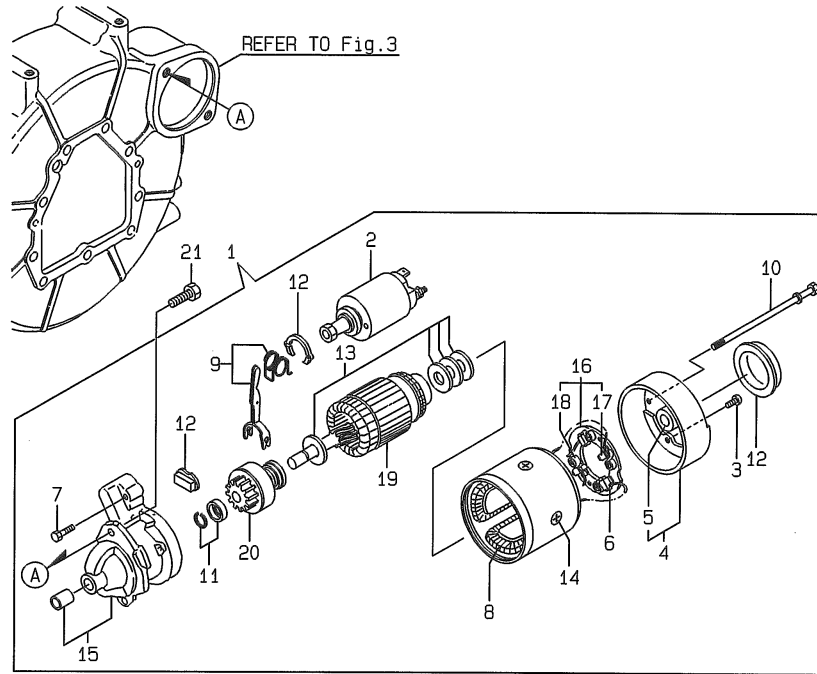


REF.	LEV.	PARTS NO.	DESCRIPTION	QTY						I R
				(A)	(B)	(C)	(D)	(E)	(F)	
1	1	119631-77010	STARTER	1	1	1				
I 1-1	1	119631-77011 (A=E15331) (B=E15351) (C=E23781)	STARTING MOTOR	1	1	1	1	1		R
I 2	2	X2114275070 (A=E15331) (B=E15351) (C=E23781)	SWITCH, MAGNETIC	1	1	1				Z
I 3	2	X2114283500 (A=E15331) (B=E15351) (C=E23781)	SCREW SET	1	1	1				Z
I 4	2	X2114430010 (A=E15331) (B=E15351) (C=E23781)	COVER ASSY, REAR	1	1	1				Z
I 5	3	X2114535200 (A=E15331) (B=E15351) (C=E23781)	METAL, STARTER	1	1	1				Z
I 6	2	X2114531200 (A=E15331) (B=E15351) (C=E23781)	BRUSH (+)	2	2	2				Z
I 7	2	X2114586700 (A=E15331) (B=E15351) (C=E23781)	BOLT M6X 37	2	2	2				Z
I 8	2	X2114631090 (A=E15331) (B=E15351) (C=E23781)	COIL ASSY, FIELD	1	1	1				Z
I 9	2	X2114660130 (A=E15331) (B=E15351) (C=E23781)	LEVER KIT, SHIFT	1	1	1				Z
I 10	2	X2114680050 (A=E15331) (B=E15351) (C=E23781)	BOLT, THROUGH	2	2	2				Z
I 11	2	X2114715500	STOPPER SET, PINION	1	1	1	1	1		
I 12	2	X2114780060 (A=E15331) (B=E15351) (C=E23781)	COVER ASSY, DUST	1	1	1				Z
I 13	2	X2114811000	WASHER KIT, THRUST	1	1	1	1	1		
I 14	2	X2114821500 (A=E15331) (B=E15351) (C=E23781)	SCREW SET	1	1	1				Z
I 15	2	X2114966130 (A=E15331) (B=E15351) (C=E23781)	CASE ASSY, GEAR	1	1	1				Z
I 16	2	X2114990010 (A=E15331) (B=E15351) (C=E23781)	HOLDER ASSY, BRUSH	1	1	1				Z
I 17	3	X2114831300 (A=E15331) (B=E15351) (C=E23781)	BRUSH (-)	1	1	1				Z
I 18	3	X2114931400 (A=E15331) (B=E15351) (C=E23781)	SPRING, BRUSH	3	3	3				Z
I 19	2	124190-77110 (A=E15331) (B=E15351) (C=E23781)	ARMATURE, (NON-ASB.)	1	1	1				Z
I 20	2	124190-77760 (A=E15331) (B=E15351) (C=E23781)	PINION ASSY	1	1	1				Z
I 20A	2	X2114275010 (A=E15331) (B=E15351) (C=E23781)	SWITCH ASSY, MAGNET	1	1	1	1	1		W
I 20B	2	114371-77110 (A=E15331) (B=E15351) (C=E23781)	ARMATURE	1	1	1	1	1		W
I 20C	2	114371-77140 (A=E15331) (B=E15351) (C=E23781)	COVER ASSY, REAR	1	1	1	1	1		W
I 20D	2	114371-77160 (A=E15331) (B=E15351) (C=E23781)	HOLDER ASSY, BRUSH	1	1	1	1	1		W
I 20E	3	114371-79040 (A=E15331) (B=E15351) (C=E23781)	BRUSH (-)	2	2	2	2	2		W
I 20F	3	114371-79050 (A=E15331) (B=E15351) (C=E23781)	BRUSH (+)	1	1	1	1	1		W
I 20G	3	114371-79060 (A=E15331) (B=E15351) (C=E23781)	SPRING, BRUSH	4	4	4	4	4		W
I 20H	2	114371-77170	COVER KIT, DUST	1	1	1	1	1		W

++ CONTINUE ++

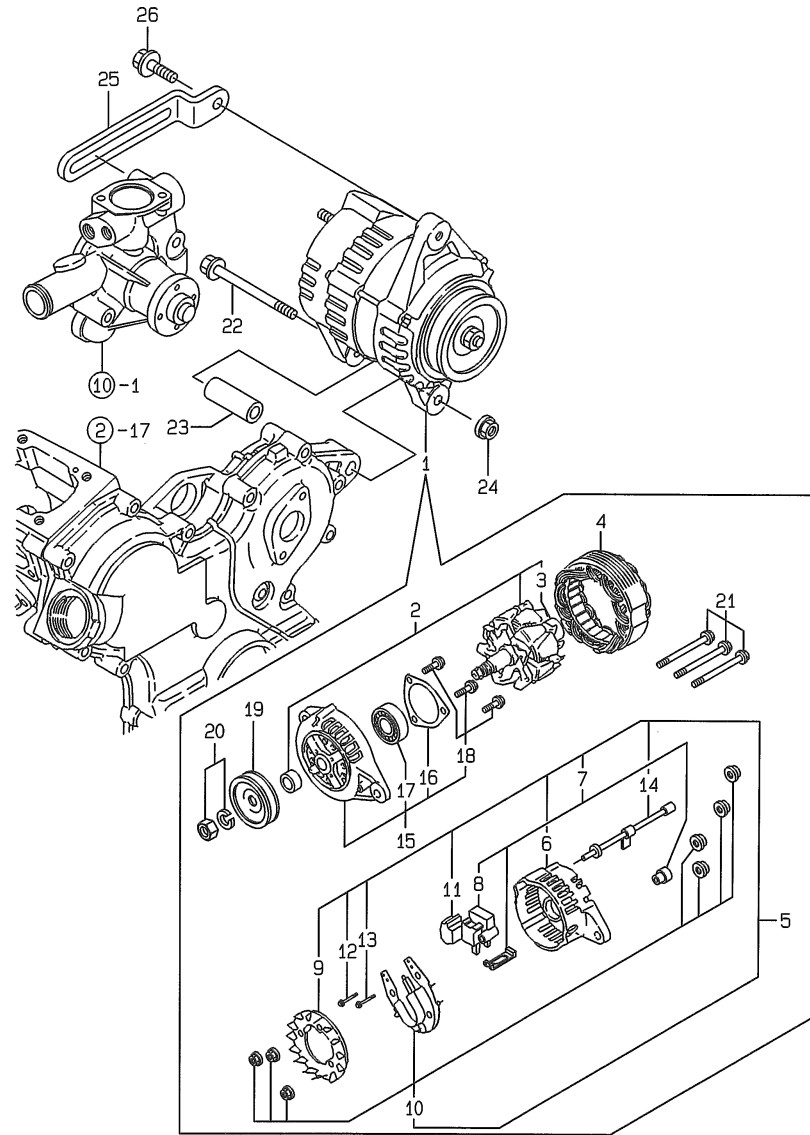
Fig.17. STARTING MOTOR

(A)=3TNE68-SA (D)=3TNE68C-SA  
 (B)=3TNE68-G1A (E)=3TNE68C-G1A  
 (C)=3TNE68-G2A (F)=



REF.	LEV.	PARTS NO.	DESCRIPTION	QTY						I	R	
				(A)	(B)	(C)	(D)	(E)	(F)			
I	20J	(A=E15331) 2 (A=E15331)	(B=E15351) 114371-77180 (B=E15351)	(C=E23781) SHIFT LEVER KIT (C=E23781)	1	1	1	1	1	1	W	
I	20K	2	119631-77651	CASE, GEAR (C=E23781)	1	1	1	1	1	1	W	
I	20L	2	124097-77710	YOKE ASSY.	1	1	1	1	1	1	W	
I	20M	2	(A=E15331) 124195-77770 (A=E15331)	(B=E15351) BOLT, THROUGH (B=E15351)	(C=E23781) (C=E23781)	2	2	2	2	2	W	
I	20N	2	119631-77780	PINION CMP (C=E23781)	1	1	1	1	1	1	W	
I	20P	2	(A=E15331) 114371-79070 (A=E15331)	(B=E15351) BOLT M 6X 37 (B=E15351)	(C=E23781) (C=E23781)	2	2	2	2	2	W	
	21	1	(A=E15331) 26116-120252 (A=E15331)	(B=E15351) BOLT M12X 25 PLATED (B=E15351)	(C=E23781) (C=E23781)	2	2	2	2	2		

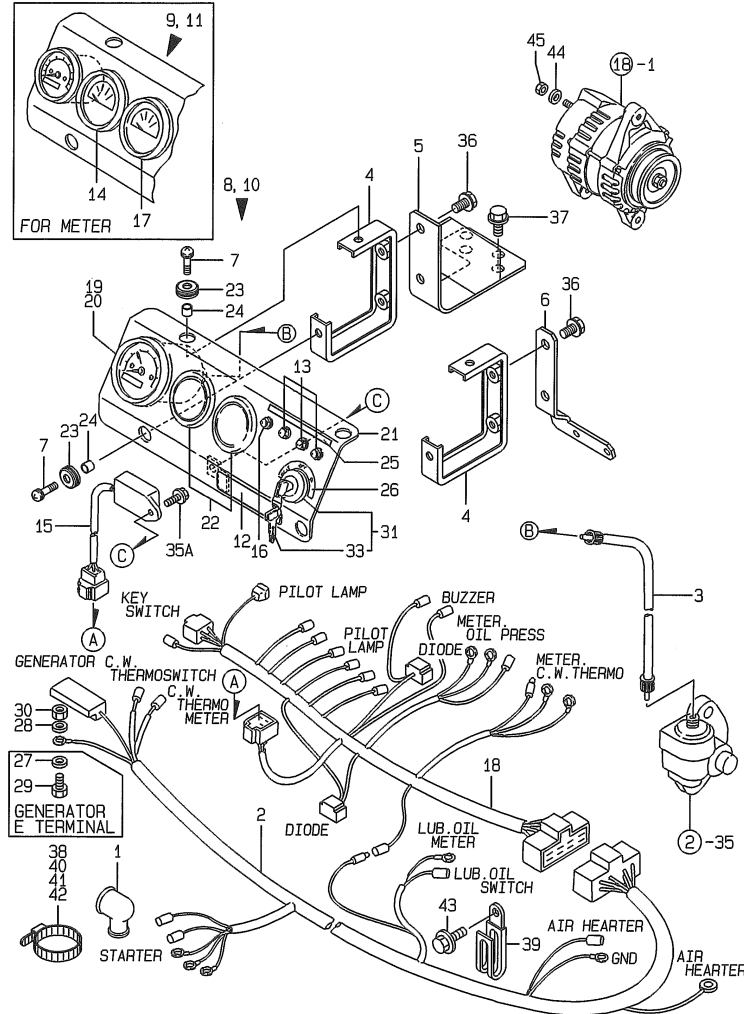
Fig.18. GENERATOR



(A)=3TNE68-SA (D)=3TNE68C-SA  
 (B)=3TNE68-G1A (E)=3TNE68C-G1A  
 (C)=3TNE68-G2A (F)=

REF.	LEV.	PARTS NO.	DESCRIPTION	QTY						I	R
				(A)	(B)	(C)	(D)	(E)	(F)		
1	1	119836-77200	GENERATOR	1	1	1	1	1	1		
2	2	119836-77700	ROTOR ASSY	1	1	1	1	1	1		
3	3	119836-77850	BALL BEARING	1	1	1	1	1	1		
4	2	119836-77710	STATOR ASSY	1	1	1	1	1	1		
5	2	119836-77721	COVER ASSY, REAR	1	1	1	1	1	1		
6	3	119836-77730	COVER, REAR	1	1	1	1	1	1		
7	3	119836-77741	BRUSH ASSY,REGULATOR	1	1	1	1	1	1		
8	4	119836-77750	BRUSH ASSY	1	1	1	1	1	1		
9	3	119836-77760	GUIDE, FAN SIDE	1	1	1	1	1	1		
10	3	119836-77770	DIODE ASSY	1	1	1	1	1	1		
11	3	119836-77780	CONDENSER	1	1	1	1	1	1		
12	3	119836-77871	BOLT (1)	1	1	1	1	1	1		
13	3	119836-77880	BOLT (2)	1	1	1	1	1	1		
14	3	119836-77890	WIRE ASSY, LEAD	1	1	1	1	1	1		
15	2	119836-77790	COVER ASSY, FRONT	1	1	1	1	1	1		
16	3	119836-77800	RETAINER, BEARING	1	1	1	1	1	1		
17	3	119836-77840	BALL BEARING	1	1	1	1	1	1		
18	3	119836-77860	SCREW KID	1	1	1	1	1	1		
19	2	119836-77810	PULLEY	1	1	1	1	1	1		
20	2	119836-77820	NUT ASSY, PULLEY	1	1	1	1	1	1		
21	2	119836-77830	BOLT, THROUGH	1	1	1	1	1	1		
22	1	26106-081052	BOLT M 8X105 PLATED	1	1	1	1	1	1		
23	1	129150-77340	SPACER	1	1	1	1	1	1		
24	1	26366-080002	NUT M 8	1	1	1	1	1	1		
I 24-1	1	26306-080002	NUT	1	1	1	1	1	1		N
		(A=E XXX) (B=E XXX) (C=E XXX) (D=E XXX) (E=E XXX)									
25	1	119225-77330	ADJUSTER, BELT	1	1	1	1	1	1		
26	1	26106-080182	BOLT M 8X 18 PLATED	1	1	1	1	1	1		

Fig.19. PANEL



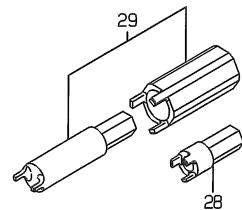
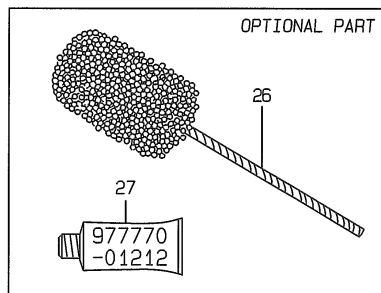
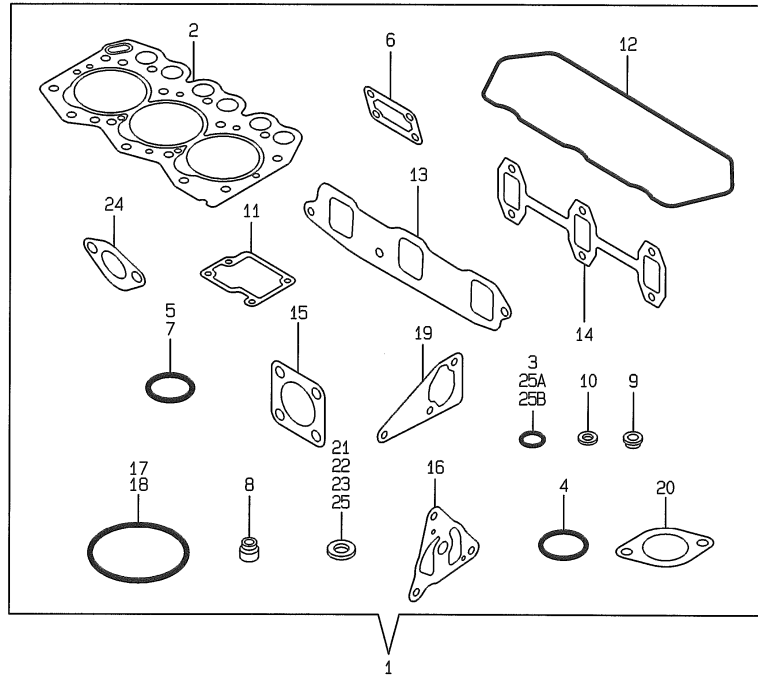
Remarks  
 (1) WITH C.W.THERMOMETER(REF.NO.14,  
 P/# 171010-77850) & PRESSURE  
 GAUGE(REF.NO.17,P/# 171090-91010).

(A)=3TNE68-SA (D)=3TNE68C-SA  
 (B)=3TNE68-G1A (E)=3TNE68C-G1A  
 (C)=3TNE68-G2A (F)=

REF.	LEV.	PARTS NO.	DESCRIPTION	QTY						I	R
				(A)	(B)	(C)	(D)	(E)	(F)		
1	1	124550-77030	COVER, TERMINAL	1	1	1	1	1			
2	1	119888-91021	HARNESS (A), WIRE	1	1	1					
I	2-1	119888-91022	HARNESS(A), WIRE	1	1	1	1	1			N
		(A=E12794) (B=E13313) (C=E23781)									
3	1	124701-91140	CABLE L= 985	1	1	1	1	1			
4	1	119888-91120	SUPPORT, PANEL	2	2	2	2	2			
5	1	119288-91130	BRACKET	1	1	1	1	1			
6	1	119288-91140	SUPPORT	1	1	1	1	1			
7	1	26033-060202	SCREW M 6X 20	4	4	4	4	4			
8	1	119888-91101	PANEL ASSY, INSTRUM	1			1	1			
9	1	119888-91201	PANEL ASSY, INSTRUM	1			1	1			1
10	1	119888-91301	PANEL ASSY, INSTRUM		1						1
11	1	119888-91311	PANEL ASSY, INSTRUM		1						1
12	2	104507-07190	LABEL, YANMAR	1	1	1	1	1			
13	2	124732-77720	LAMP, CHARGING	3	3	3	3	3			
14	2	171010-77850	THERMOMETER, C.W.	1	1	1	1	1			1
15	2	128300-77920	TIMER	1	1	1	1	1			
16	2	124559-77971	LAMP, PILOT	1	1	1	1	1			
17	2	171090-91010	GAUGE, PRESSURE	1	1	1	1	1			1
18	2	119888-91031	HARNESS (B), WIRE	1	1	1	1	1			
19	2	171080-91100	TACHOMETER	1	1	1	1				
20	2	171082-91100	TACHOMETER		1						1
21	2	119888-91110	BODY	1	1	1	1	1			
22	2	124770-91220	COVER 52	2	2	2	2	2			
23	2	121400-91520	ABSORBER	4	4	4	4	4			
24	2	121400-91530	SPACER	4	4	4	4	4			
25	2	119888-91610	LABEL, CW & OIL LAMP	1	1	1	1	1			
26	2	119888-91620	LABEL, KEY SWITCH	1	1	1	1	1			
I	27	22117-050000	WASHER 5	1	1	1					Z
		(A=EXXX) (C=EXXX)									
I	28	22117-050000	WASHER 5	1	1						Z
		(A=EXXX) (C=EXXX)									
I	29	26116-050102	BOLT M 5X 10 PLATED	1	1						Z
		(A=EXXX) (C=EXXX)									
I	30	26716-050002	NUT M 5	1	1						Z
		(A=EXXX) (C=EXXX)									
31	2	933110-00100	SWITCH ASSY, STARTER	1	1	1	1	1			
33	3	933110-00301	KEY ASSY	1	1	1	1	1			
I	35A	26106-060102	BOLT M 6X 10 PLATED	1	1	1	1	1			W
		(A=EXXX) (B=EXXX) (C=EXXX)									
36	1	26106-080122	BOLT M 8X 12 PLATED	4	4	4	4	4			
37	1	26106-100502	BOLT M10X 50 PLATED	2	2	2	2	2			
38	1	121750-59890	CLAMP 140	1	1	1	1	1			
39	1	194180-51640	CLAMP, WIRE HARNESS	1	1	1	1	1			
40	1	121750-59890	CLAMP 140	1	1			1			
41	1	121750-59890	CLAMP 140				1				
42	1	121750-59890	CLAMP 140	1	1			1	1		
I	43	26106-100122	BOLT M10X 12 PLATED	1	1	1	1	1			W
		(A=EXXX) (B=EXXX) (C=EXXX) (D=EXXX) (E=EXXX)									
I	44	22117-050000	WASHER 5	1	1	1	1	1			W
		(A=EXXX) (B=EXXX) (C=EXXX) (D=EXXX) (E=EXXX)									
I	45	26716-050002	NUT M 5	1	1	1	1	1			W
		(A=EXXX) (B=EXXX) (C=EXXX) (D=EXXX) (E=EXXX)									



Fig.20. GASKET SET



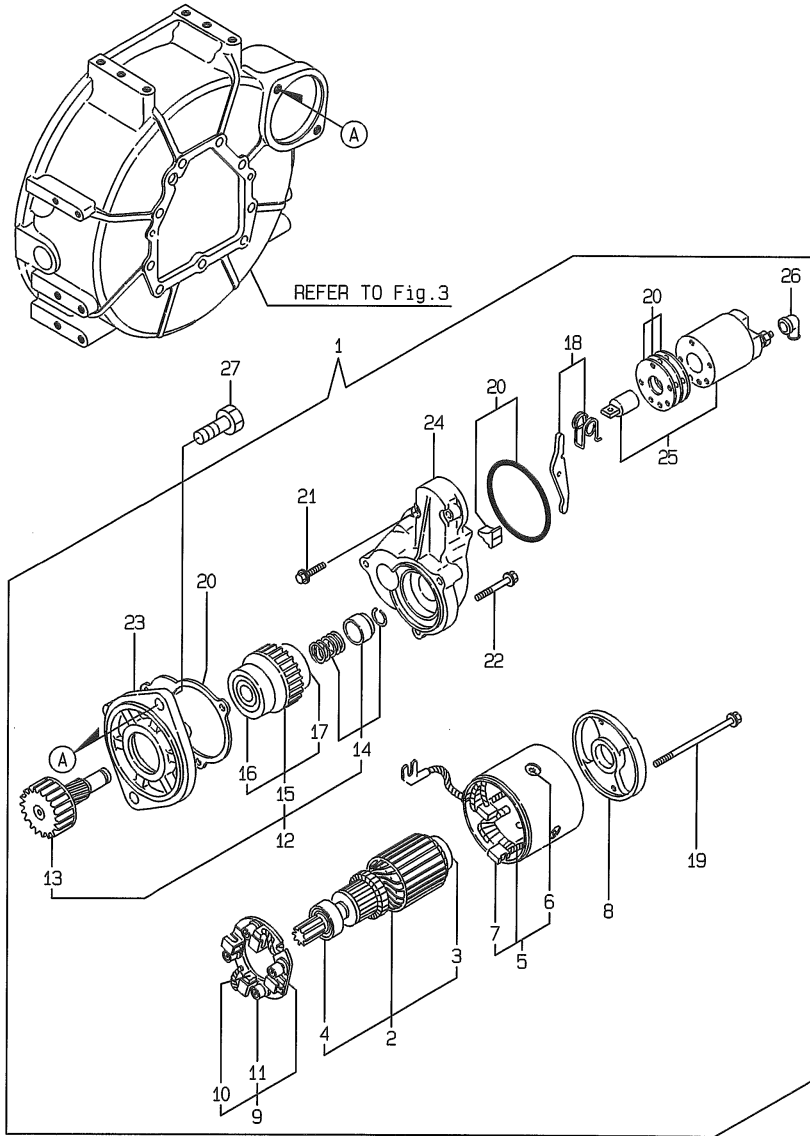
(A)=3TNE68-SA (D)=3TNE68C-SA  
 (B)=3TNE68-G1A (E)=3TNE68C-G1A  
 (C)=3TNE68-G2A (F)=

REF.	LEV.	PARTS NO.	DESCRIPTION	QTY						I	R	
				(A)	(B)	(C)	(D)	(E)	(F)			
1	1	719265-92611	GASKET SET	1	1	1					1	
I	1-1	719265-92612 (A=EXXX) (B=EXXX) (C=EXXX)	GASKET SET	1	1	1	1	1			N	1
2	2	119265-01340	GASKET, CYL. HEAD	1	1	1	1	1				
I	2-1	119265-01341 (A=E21604) (B=E28743) (C=E23781) (D=E00493) (E=E00492)	GASKET, CYL. HEAD	1	1	1	1	1			N	
3	2	24311-000120	O-RING 1A P 12.0	5	5	5						
I	3-1	24311-000120 (A=EXXX) (B=EXXX) (C=EXXX)	O-RING 1A P 12.0	2	2	2	2	2			K	
4	2	24311-000320	O-RING 1A P-32.0	2	2	2	2	2				
5	2	24341-000240	O-RING 1A S-24.0	1	1	1	1	1				
6	2	119660-01562	GASKET, (NON-ASB.)	1	1	1	1	1				
7	2	24311-000180	O-RING 1A P-18.0	1	1	1	1	1				
8	2	119260-11340	SEAL, VALVE STEM	6	6	6	6	6				
9	2	119600-11450	PROTECTOR, NOZZLE	3	3	3	3	3				
10	2	119600-11460	GASKET, NOZZLE	6	6	6	6	6				
11	2	119260-03031	GASKET, (NON-ASB.)	1	1	1	1	1				
12	2	119260-11310	GASKET, BONNET	1	1	1	1	1				
13	2	119270-12110	GASKET, SUC.MANIFOLD	1	1	1	1	1				
14	2	119260-13110	GASKET, EXH.MANIFOLD	1	1	1	1	1				
15	2	121000-13201	GASKET, SILENCER	2	2	2	2	2				
16	2	119660-32020	GASKET, L.O.PUMP	1	1	1	1	1				
17	2	24321-000600	O-RING 1A G-60.0	1	1	1	1	1				
18	2	24321-000700	O-RING 1A G70.0,NBR	1	1	1	1	1				
19	2	119260-42020	GASKET, C.W. PUMP	1	1	1	1	1				
20	2	129350-49541	GASKET, (NON-ASB.)	1	1	1	1	1				
21	2	124465-44950	GASKET 16	2	2	2	2	2				
22	2	22190-080002	SEAL WASHER 8S	4	4	4	4	4				
23	2	23414-140000	GASKET 14, ROUND	3	3	3	3	3				
24	2	121520-01851	GASKET, (NON-ASB.)	1	1	1	1	1				
25	2	104200-59170	GASKET 12	2	2	2	2	2				
I	25A	119624-32040 (A=E62542) (B=E62973) (C=E62473) (D=E01001) (E=E01088)	O-RING P 12.0	2	2	2	2	2			W	
I	25B	24311-000110 (A=EXXX) (B=EXXX) (C=EXXX)	O-RING 1A P-11.0	1	1	1	1	1			W	
I	25B-1	119209-35030 (A=E31086) (B=E33561) (C=E31085) (D=E00605) (E=E00590)	O-RING	1	1	1	1	1			R	
26	1	129400-92400	FLEX HORN	1	1	1	1	1				1
27	1	977770-01212	GASKET, LIQUID	1	1	1	1	1				1
I	28	119621-99100	TOOL,CARB HIGH IDLE					1	1			
I	29	119621-99400	TOOL ASSY,CARB FUEL					1	1			

Remarks  
 (1) OPTIONAL PART.

(A)=3TNE68-SA (D)=3TNE68C(E)SA  
 (B)=3TNE68-G1A01 (E)=3TNE68C(E)G1  
 (C)=3TNE68-G2A01 (F)=

Fig.21. STARTING MOTOR(COLD DISTRICT)



REF.	LEV.	PARTS NO.	DESCRIPTION	QTY						I	R
				(A)	(B)	(C)	(D)	(E)	(F)		
I	1	119256-77010 (A=E15331)	MOTOR ASSY, STARTING (B=E15351) (C=E23781)	1	1	1	1	1	1		W
I	2	X211461005 (A=E15331)	ARMATURE (B=E15351) (C=E23781)	1	1	1	1	1	1		W
I	3	X2130350900 (A=E15331)	BALL BEARING (B=E15351) (C=E23781)	1	1	1	1	1	1		W
I	4	X211425511 (A=E15331)	BALL BEARING (B=E15351) (C=E23781)	1	1	1	1	1	1		W
I	5	X211442003 (A=E15331)	COIL ASSY, FIELD (B=E15351) (C=E23781)	1	1	1	1	1	1		W
I	6	X21143215 (A=E15331)	SCREW, CORE (B=E15351) (C=E23781)	4	4	4	4	4	4		W
I	7	X211469002 (A=E15331)	BRUSH (+) (B=E15351) (C=E23781)	2	2	2	2	2	2		W
I	8	X211483003 (A=E15331)	COVER, REAR (B=E15351) (C=E23781)	1	1	1	1	1	1		W
I	9	X211439001 (A=E15331)	HOLDER ASSY, BRUSH (B=E15351) (C=E23781)	1	1	1	1	1	1		W
I	10	X211459002 (A=E15331)	BRUSH (-) (B=E15351) (C=E23781)	2	2	2	2	2	2		W
I	11	X21147314 (A=E15331)	SPRING, BRUSH (B=E15351) (C=E23781)	4	4	4	4	4	4		W
I	12	X211465505 (A=E15331)	CLUTCH ASSY, PINION (B=E15351) (C=E23781)	1	1	1	1	1	1		W
I	13	X211465504 (A=E15331)	SHAFT, PINION (B=E15351) (C=E23781)	1	1	1	1	1	1		W
I	14	X211429006 (A=E15331)	STOPPER SET (B=E15351) (C=E23781)	1	1	1	1	1	1		W
I	15	X211455500 (A=E15331)	CLUTCH ASSY (B=E15351) (C=E23781)	1	1	1	1	1	1		W
I	16	X211495502 (A=E15331)	BALL BEARING (B=E15351) (C=E23781)	1	1	1	1	1	1		W
I	17	X224041010 (A=E15331)	BALL BEARING (B=E15351) (C=E23781)	1	1	1	1	1	1		W
I	18	X211476012 (A=E15331)	LEVER (B=E15351) (C=E23781)	1	1	1	1	1	1		W
I	19	X211468005 (A=E15331)	BOLT, THROUGH (B=E15351) (C=E23781)	2	2	2	2	2	2		W
I	20	171008-77571 (A=E15331)	DUST COVER,(NON-ASB.) (B=E15351) (C=E23781)	1	1	1	1	1	1		W
I	21	X21145866 (A=E15331)	BOLT (B=E15351) (C=E23781)	2	2	2	2	2	2		W
I	22	X21142867 (A=E15331)	BOLT (B=E15351) (C=E23781)	3	3	3	3	3	3		W
I	23	X2114765040 (A=E15331)	HOUSING ASSY, GEAR (B=E15351) (C=E23781)	1	1	1	1	1	1		W
I	24	X2114145010 (A=E15331)	CENTER HOUSING (B=E15351) (C=E23781)	1	1	1	1	1	1		W
I	25	171008-77531 (A=E15331)	MAGNETIC SWITCH ASSY (B=E15351) (C=E23781)	1	1	1	1	1	1		W
I	26	X21142742 (A=E15331)	COVER (A), RUBBER (B=E15351) (C=E23781)	1	1	1	1	1	1		W
I	27	26116-120252 (A=E15331)	BOLT M12X 25 PLATED (B=E15351) (C=E23781)	2	2	2	2	2	2		W