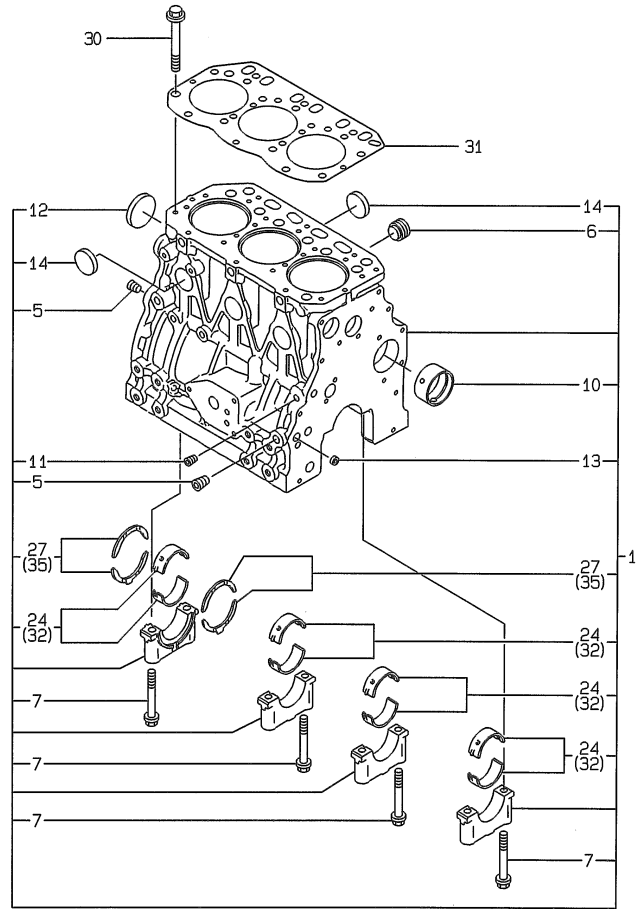


Fig.1. CYLINDER BLOCK

(A)=3TNE84-SA (D)=3TNE84-ESA
 (B)=3TNE84-G1A01 (E)=3TNE84CEG1A1
 (C)=3TNE84-G2A01 (F)=3TNE84CG1A01

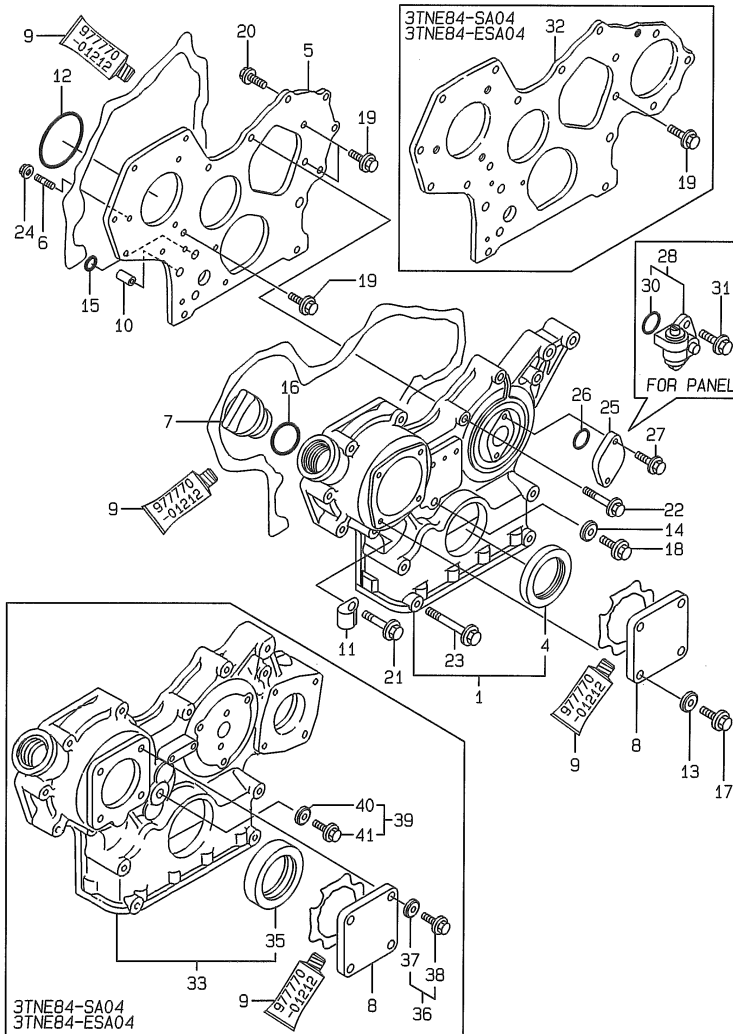


REF.	LEV.	PARTS NO.	DESCRIPTION	QTY						I	R
				(A)	(B)	(C)	(D)	(E)	(F)		
1	1	729002-01560	BLOCK ASSY, CYLINDER	1	1	1	1	1	1		
5	2	124160-01910	PLUG PT1/4	3	3	3	3	3	3		
6	2	171051-01921	PLUG	1	1	1	1	1	1		
7	2	129150-02020	BOLT, METAL CAP	8	8	8	8	8	8		
10	2	129795-02411	BUSH, CAMSHAFT	1	1	1	1	1	1		
11	2	23871-010000	PLUG PT1/8,SCREW	1	1	1	1		1		
11-1	2	23876-010000	PLUG PT1/8,SCREW	1	1	1	1	1	1	N	
		(A=EXXX) (B=EXXX) (C=EXXX) (D=EXXX)								(F=EXXX)	
12	2	27231-500000	PLUG 50	1	1	1	1		1		
12-1	2	129001-01250	PLUG 50	1	1	1	1	1	1	N	
		(A=EXXX) (B=EXXX) (C=EXXX) (D=EXXX)								(F=EXXX)	
13	2	27241-120000	PLUG 12	2	2	2	2	2	2		
14	2	27241-300000	PLUG 30	6	6	6	6	6	6		
24	2	129001-02930	MAIN BEARING SET	4	4	4	4	4	4		3
27	2	129150-02930	METAL, THRUST	2	2	2	2	2	2		
30	1	129150-01200	STUD, CYL. HEAD	14	14	14	14	14	14		
31	1	129002-01331	GASKET, CYL. HEAD	1	1	1	1	1	1		
32	1	129150-02870	MAIN METAL US=0.25	4	4	4	4	4	4		1
35	1	129150-02940	METAL,THRUST.25(2PIE	1	1	1	1	1	1		2

Remarks
 (1) UNDER-SIZE(U.S=0.25)PART.
 (2) OVER-SIZE(O.S=0.25)PART.
 (3) REPAIR PART.

Fig.2. GEAR HOUSING

(A)=3TNE84-SA (D)=3TNE84-ESA
 (B)=3TNE84-G1A01 (E)=3TNE84CEG1A1
 (C)=3TNE84-G2A01 (F)=3TNE84CG1A01

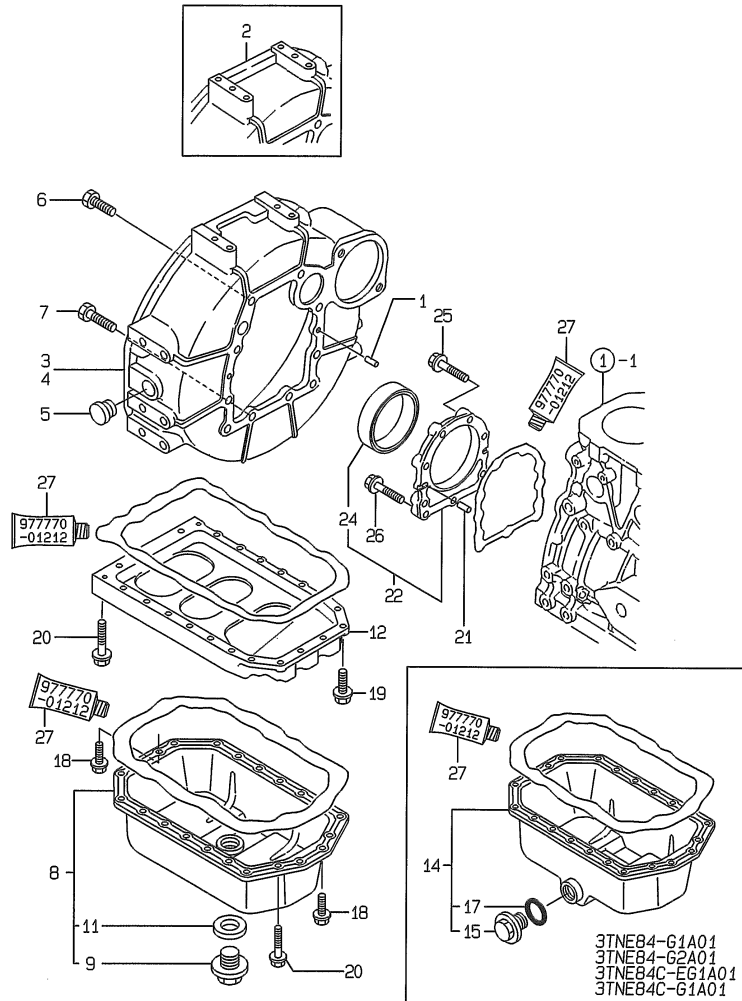


REF.	LEV.	PARTS NO.	DESCRIPTION	QTY						I	R
				(A)	(B)	(C)	(D)	(E)	(F)		
1	1	719810-01500	HOUSING ASSY, GEAR	1	1	1	1	1	1		
4	2	129795-01800	SEAL, OIL	1	1	1	1	1	1		
5	1	129400-01520	FLANGE,GEARS HOUSING	1	1	1	1	1	1		
6	1	121450-01560	STUD M 8X 22	3	3	3	3	3	3		
7	1	124160-01751	COVER,FILLER	1	1	1	1	1	1		
8	1	124240-01871	COVER, HO-P	1	1	1	1	1	1		
9	1	977770-01212	GASKET, LIQUID	1	1	1	1	1	1		3
10	1	129795-01950	PIPE, KNOCK L=18	2	2	2	2	2	2		
11	1	129150-03100	RETAINER	1	1	1	1	1	1		
12	1	121850-51960	O-RING, F.I.PUMP	1	1	1	1	1	1		
13	1	22190-080002	SEAL WASHER 8S	4	4	4	4	4	4		
14	1	22190-080002	SEAL WASHER 8S	1	1	1	1	1	1		
15	1	24311-000160	O-RING 1A P-16.0	2	2	2	2	2	2		
16	1	24311-000320	O-RING 1A P-32.0	1	1	1	1	1	1		
17	1	26106-080122	BOLT M 8X 12 PLATED	4	4	4	4	4	4		
18	1	26106-080162	BOLT M 8X 16 PLATED	1	1	1	1	1	1		
19	1	26106-080162	BOLT M 8X 16 PLATED	3	3	3	3	3	3		
20	1	26106-080202	BOLT M 8X 20 PLATED	2	2	2	2	2	2		
21	1	26106-080452	BOLT M 8X 45 PLATED	6	6	6	6	6	6		
22	1	26106-080552	BOLT M 8X 55 PLATED	3	3	3	3	3	3		
23	1	129001-91841	BOLT M 8X 85 PLATED	4	4	4	4	4	4		
24	1	26366-080002	NUT M 8	3	3	3	3	3	3		
25	1	121023-01550	COVER, BLIND	1	1	1	1	1	1		
26	1	24341-000240	O-RING 1A S-24.0	1	1	1	1	1	1		
27	1	26106-060162	BOLT M 6X 16 PLATED	2	2	2	2	2	2		
28	1	129150-91400	GEAR UNIT,TACHOMETER	1	1	1	1	1	1		1
30	2	24341-000240	O-RING 1A S-24.0	1	1	1	1	1	1		1
31	1	26106-060162	BOLT M 6X 16 PLATED	2	2	2	2	2	2		1
32	1	171353-01520	FLANGE, GEAR HOUSING	1			1				2
33	1	171353-01580	GEAR CASE ASSY	1			1				2
35	2	129795-01800	SEAL, OIL	1			1				2
36	1	124550-01590	BOLT M8X16	4			4				2
37	2	22190-080003	SEAL WASER 8	4			4				2
38	2	26106-080162	BOLT M 8X 16 PLATED	4			4				2
39	1	124550-01590	BOLT M8X16	1			1				2
40	2	22190-080003	SEAL WASER 8	1			1				2
41	2	26106-080162	BOLT M 8X 16 PLATED	1			1				2

Remarks
 (1) FOR PANEL.
 (2) FOR(SA04)(ESA04).
 (3) OPTIONAL PART.

(A)=3TNE84-SA (D)=3TNE84-ESA
 (B)=3TNE84-G1A01 (E)=3TNE84CEG1A1
 (C)=3TNE84-G2A01 (F)=3TNE84CG1A01

Fig.3. FLYWHEEL HOUSING & OIL SUMP

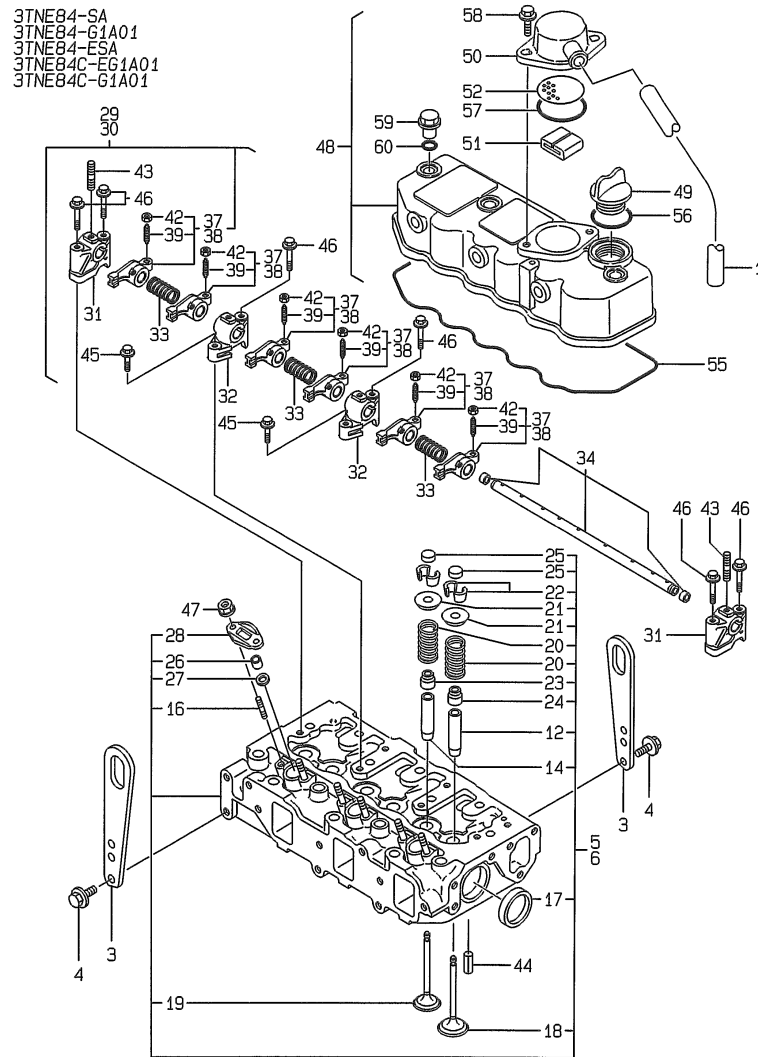


REF.	LEV.	PARTS NO.	DESCRIPTION	QTY						I	R
				(A)	(B)	(C)	(D)	(E)	(F)		
1	1	129100-01580	PARALLEL PIN 8X16	2	2	2	2	2	2		
2	1	119888-01600	HOUSING, FLYWHEEL	1		1	1				
3	1	129612-01600	HOUSING, FLYWHEEL	1			1				1
4	1	171420-01600	HOUSING, FLYWHEEL		1			1	1		
5	1	119620-01750	CAP, FLYWHEEL COVER	1	1	1	1	1	1		
6	1	26206-100252	BOLT M10X25	6	6	6	6	6	6		
7	1	26206-100302	BOLT M10X30	4	4	4	4	4	4		
8	1	729102-01540	SUMP ASSY, LUB. OIL	1			1				
9	2	119640-01640	DRAIN PLUG M22	1			1				
11	2	22190-220002	SEAL WASHER 22S	1			1				
12	1	129100-01730	SPACER, OIL SUMP	1	1	1	1	1	1		
14	1	129100-01760	SUMP ASSY, OIL		1	1		1	1		
15	2	171301-01640	PLUG M22		1	1		1	1		
17	2	24341-000250	O-RING 1A S-25.0		1	1		1	1		
18	1	26106-080162	BOLT M 8X 16 PLATED	4	4	4	4	4	4		
19	1	26106-080252	BOLT M 8X 25 PLATED	2	2	2	2	2	2		
20	1	26106-080452	BOLT M 8X 45 PLATED	20	20	20	20	20	20		
21	1	129100-01580	PARALLEL PIN 8X16	2	2	2	2	2	2		
22	1	129100-01640	CASE ASSY, OIL SEAL	1	1	1	1	1	1		
24	2	129795-01780	SEAL OIL	1	1	1	1	1	1		
25	1	129486-01670	BOLT M8X30, COLLAR HD	6	6	6	6	6	6		
26	1	26106-080352	BOLT M 8X 35 PLATED	3	3	3	3	3	3		
27	1	977770-01212	GASKET, LIQUID	1	1	1	1	1	1		2

Remarks
 (1) FOR(SA03)(ESA03).
 (2) OPTIONAL PART.

(A)=3TNE84-SA (D)=3TNE84-ESA
 (B)=3TNE84-G1A01 (E)=3TNE84CEG1A1
 (C)=3TNE84-G2A01 (F)=3TNE84CG1A01

Fig.4. CYLINDER HEAD & BONNET

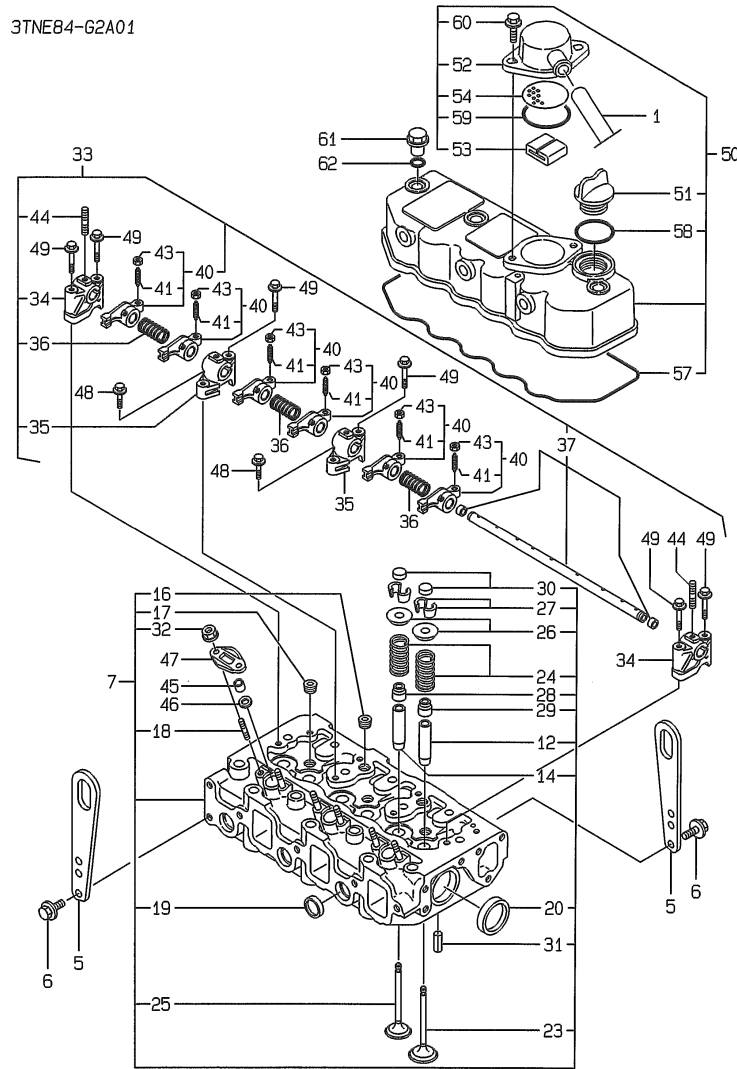


REF.	LEV.	PARTS NO.	DESCRIPTION	QTY						I	R
				(A)	(B)	(C)	(D)	(E)	(F)		
1	1	171350-03090	PIPE, BREATHER	1	1		1	1	1		
3	1	129900-07900	LIFTER, ENGINE	2	2		2	2	2		
4	1	26106-080162	BOLT M 8X 16 PLATED	4	4		4	4	4		
5	1	129001-11700	HEAD ASSY, CYLINDER	1	1			1	1		
6	1	129051-11700	HEAD ASSY, CYLINDER				1				
12	2	120130-11860	GUIDE, VALVE	3	3		3	3	3		1
14	2	129150-11810	GUIDE, VALVE	3	3		3	3	3		1
16	2	26216-060202	STUD M 6X 20 PLATED	6	6		6	6	6		
17	2	27241-400000	PLUG 40	2	2		2	2	2		
18	2	129100-11100	VALVE, INTAKE	3	3		3	3	3		
19	2	129100-11110	VALVE, EXHAUST	3	3		3	3	3		
20	2	129795-11120	SPRING, VALVE	6	6		6	6	6		
21	2	129795-11180	RETAINER, SPRING	6	6		6	6	6		
22	2	27310-080000	COTTER 8	6	6		6	6	6		
23	2	121400-11340	SEAL, VALVE STEM	3	3		3	3	3		
24	2	124460-11340	SEAL, VALVE STEM	3	3		3	3	3		
25	2	129150-11370	CAP, VALVE	6	6		6	6	6		
26	2	119625-11870	PROTECTOR, NOZZLE	3	3		3	3	3		
27	2	119625-11880	SEAT, NOZZLE	3	3		3	3	3		
28	2	119625-11900	RETAINER	3	3		3	3	3		
29	1	129155-11241	SHAFT ASSY, ROCKER	1			1				
30	1	129100-11240	SHAFT ASSY, ROCKER		1			1	1		
31	2	129155-11260	SUPPORT, ROCKER ARM	2	2		2	2	2		
32	2	129155-11270	SUPPORT, ROCKER ARM	2	2		2	2	2		
33	2	129150-11280	SPRING	3	3		3	3	3		
34	2	129150-11290	SHAFT, ROCKER ARM	1	1		1	1	1		
37	2	729402-11650	ARM ASSY, ROCKER	6			6				
38	2	129100-11650	ARM ASSY, ROCKER		6			6	6		
39	3	129150-11230	SCREW, VALVE	6	6		6	6	6		
42	3	129150-11750	NUT M8XP1.0	6	6		6	6	6		
43	2	26226-080182	STUD M 8X 18 PLATED	3	3		3	3	3		
44	1	22351-060012	SPRING PIN 6X12	2	2		2	2	2		
45	1	26106-080252	BOLT M 8X 25 PLATED	2	2		2	2	2		
46	1	26106-080502	BOLT M 8X 50 PLATED	6	6		6	6	6		
47	1	26366-060002	NUT M 6	6	6		6	6	6		
48	1	729132-11521	BONNET ASSY	1	1		1	1	1		
49	2	124160-01751	COVER,FILLER	1	1		1	1	1		
50	2	129150-03020	COVER, BREATHER	1	1		1	1	1		
51	2	129150-03070	BAFFLE, BREATHER	1	1		1	1	1		
52	2	129150-03080	PLATE, SHELTER	1	1		1	1	1		
55	2	129150-11310	GASKET, BONNET	1	1		1	1	1		
56	2	24311-000320	O-RING 1A P-32.0	1	1		1	1	1		
57	2	24341-000500	O-RING 1A S-50.0	1	1		1	1	1		
58	2	26106-080162	BOLT M 8X 16 PLATED	2	2		2	2	2		
59	1	124160-11360	KNOB	3	3		3	3	3		
60	1	24311-000120	O-RING 1A P 12.0	3	3		3	3	3		

Remarks
 (1) REPAIR PART.

(A)=3TNE84-SA (D)=3TNE84-ESA
 (B)=3TNE84-G1A01 (E)=3TNE84CEG1A1
 (C)=3TNE84-G2A01 (F)=3TNE84CG1A01

Fig.5. CYLINDER HEAD & BONNET

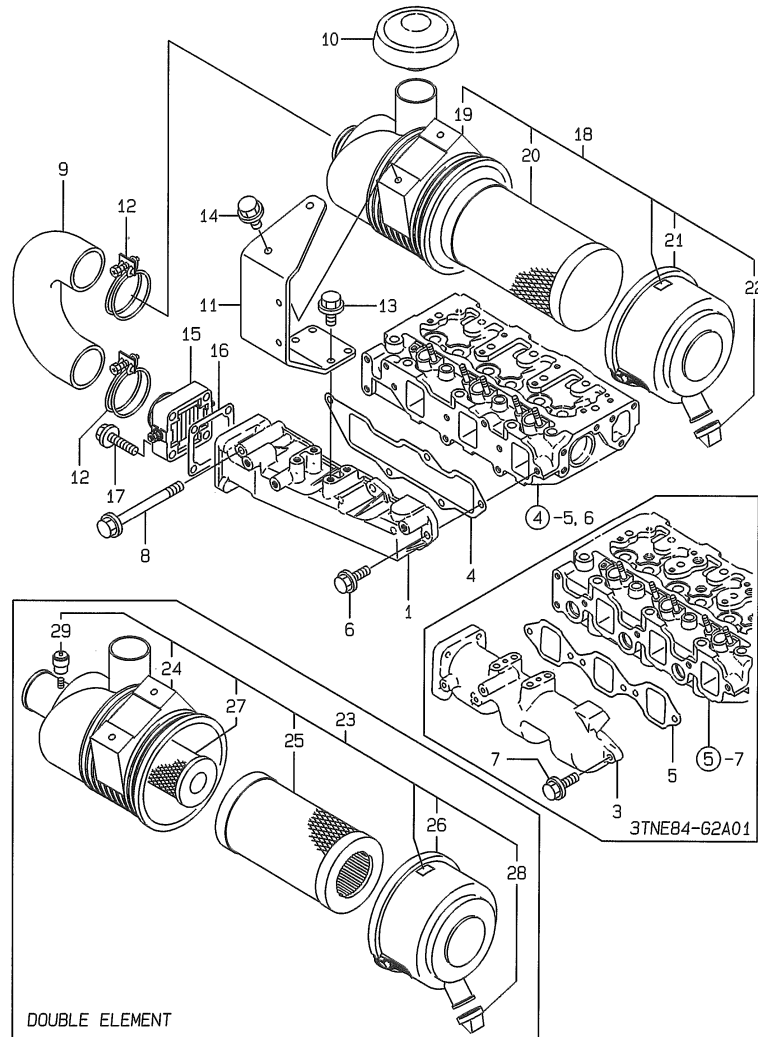


REF.	LEV.	PARTS NO.	DESCRIPTION	QTY						I	R
				(A)	(B)	(C)	(D)	(E)	(F)		
1	1	171350-03090	PIPE, BREATHER						1		
5	1	129900-07900	LIFTER, ENGINE						2		
6	1	26106-080162	BOLT M 8X 16 PLATED						4		
7	1	729202-11710	HEAD ASSY, CYLINDER						1		
12	2	120130-11860	GUIDE, VALVE						3		1
14	2	129150-11810	GUIDE, VALVE						3		1
16	2	121850-11860	PLUG PT1/4						2		
16-1	2	23876-020000	PLUG 1/4 (C=EXXX)						2		N
17	2	23871-030000	PLUG PT3/8,SCREW						3		
17-1	2	23876-030000	PLUG PT3/8,SCREW (C=EXXX)						3		N
18	2	26216-060202	STUD M 6X 20 PLATED						6		
19	2	27241-220000	PLUG 22						3		
20	2	27241-400000	PLUG 40						2		
23	2	129100-11100	VALVE, INTAKE						3		
24	2	129795-11120	SPRING, VALVE						6		
25	2	129100-11130	VALVE, EXHAUST						3		
26	2	129795-11180	RETAINER, SPRING						6		
27	2	27310-080000	COTTER 8						6		
28	2	121400-11340	SEAL, VALVE STEM						3		
29	2	124460-11340	SEAL, VALVE STEM						3		
30	2	129150-11370	CAP, VALVE						6		
31	2	22351-060012	SPRING PIN 6X12						2		
32	2	26366-060002	NUT M 6						6		
33	1	129155-11241	SHAFT ASSY, ROCKER						1		
34	2	129155-11260	SUPPORT, ROCKER ARM						2		
35	2	129155-11270	SUPPORT, ROCKER ARM						2		
36	2	129150-11280	SPRING						3		
37	2	129150-11290	SHAFT, ROCKER ARM						1		
40	2	729402-11650	ARM ASSY, ROCKER						6		
41	3	129150-11230	SCREW, VALVE						6		
43	3	129150-11750	NUT M8XP1.0						6		
44	2	26226-080182	STUD M 8X 18 PLATED						3		
45	1	119625-11870	PROTECTOR, NOZZLE						3		
46	1	119625-11880	SEAT, NOZZLE						3		
47	1	119625-11900	RETAINER						3		
48	1	26106-080252	BOLT M 8X 25 PLATED						2		
49	1	26106-080502	BOLT M 8X 50 PLATED						6		
50	1	729132-11521	BONNET ASSY						1		
51	2	124160-01751	COVER,FILLER						1		
52	2	129150-03020	COVER, BREATHER						1		
53	2	129150-03070	BAFFLE, BREATHER						1		
54	2	129150-03080	PLATE, SHELTER						1		
57	2	129150-11310	GASKET, BONNET						1		
58	2	24311-000320	O-RING 1A P-32.0						1		
59	2	24341-000500	O-RING 1A S-50.0						1		
60	2	26106-080162	BOLT M 8X 16 PLATED						2		
61	1	124160-11360	KNOB						3		
62	1	24311-000120	O-RING 1A P 12.0						3		

Remarks
 (1) REPAIR PART.

(A)=3TNE84-SA (D)=3TNE84-ESA
 (B)=3TNE84-G1A01 (E)=3TNE84CEG1A1
 (C)=3TNE84-G2A01 (F)=3TNE84CG1A01

Fig.6. SUCTION MANIFOLD & AIR CLEANER

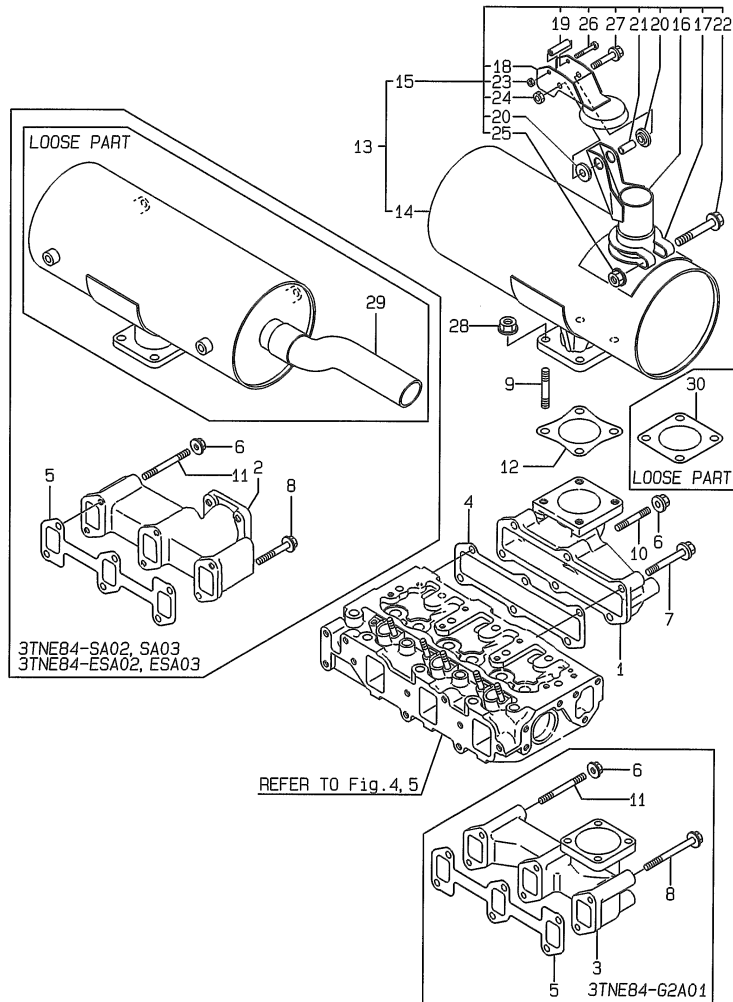


REF.	LEV.	PARTS NO.	DESCRIPTION	QTY						I	R
				(A)	(B)	(C)	(D)	(E)	(F)		
1	1	129001-12100	MANIFOLD	1	1		1	1	1		
3	1	129122-12100	MANIFOLD, SUCTION			1					
4	1	129001-12110	GASKET,INT. MANIFOLD	1	1		1	1	1		
5	1	129150-12111	GASKET, (NON-ASB.)			1					
6	1	26106-080202	BOLT M 8X 20 PLATED	4	4		4	4	4		
7	1	26106-080252	BOLT M 8X 25 PLATED			4					
8	1	26106-080802	BOLT M 8X 80 PLATED	1	1		1	1	1		
9	1	129619-12210	HOSE	1	1	1	1	1	1		
10	1	121521-12400	CAP, RAIN	1	1	1	1	1	1		
11	1	129608-12560	BRACKET,AIRCLEANER	1	1	1	1	1	1		
12	1	23000-060000	CLAMP 60	2	2	2	2	2	2		
13	1	26106-080182	BOLT M 8X 18 PLATED	4	4	4	4	4	4		
14	1	26106-080182	BOLT M 8X 18 PLATED	2	2	2	2	2	2		
15	1	129120-77501	HEATER, AIR	1	1	1	1	1	1		
16	1	129150-77511	GASKET, (NON-ASB.)	1	1	1	1	1	1		
17	1	26106-080352	BOLT M 8X 35 PLATED	4	4	4	4	4	4		
18	1	129608-12501	AIRCLEANER	1	1	1	1	1	1		1
19	2	129608-12511	BODY, AIR CLEANER	1	1	1	1	1	1		1
20	2	119808-12520	ELEMENT, OUTER	1	1	1	1	1	1		1
21	2	119808-12530	COVER	1	1	1	1	1	1		1
22	2	119808-12540	VALVE, UNLOADER	1	1	1	1	1	1		1
23	1	119822-12500	CLEANER ASSY, AIR	1	1	1	1	1	1		2
24	2	119822-12510	BODY	1	1	1	1	1	1		2
25	2	119808-12520	ELEMENT, OUTER	1	1	1	1	1	1		2
26	2	119808-12530	COVER	1	1	1	1	1	1		2
27	2	129051-12530	ELEMENT, INNER	1	1	1	1	1	1		2
28	2	119808-12540	VALVE, UNLOADER	1	1	1	1	1	1		2
29	2	126650-12680	INDICATOR	1	1	1	1	1	1		2

Remarks
 (1) FOR SINGLE ELEMENT.
 (2) FOR DOUBLE ELEMENT.

(A)=3TNE84-SA (D)=3TNE84-ESA
 (B)=3TNE84-G1A01 (E)=3TNE84CEG1A1
 (C)=3TNE84-G2A01 (F)=3TNE84CG1A01

Fig.7. EXHAUST MANIFOLD & SILENCER

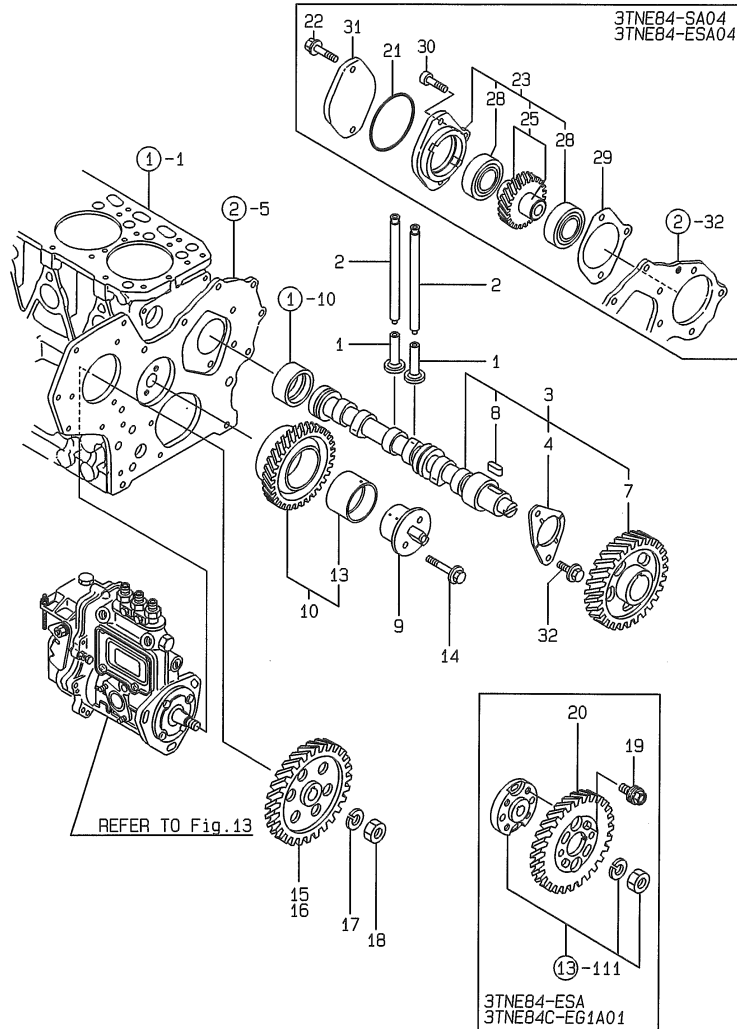


REF.	LEV.	PARTS NO.	DESCRIPTION	QTY						I	R
				(A)	(B)	(C)	(D)	(E)	(F)		
1	1	129001-13100	MANIFOLD,EXHAUST	1	1		1	1	1	1	
2	1	129100-13110	MANIFOLD,EXHAUST	1			1				2
3	1	171350-13100	MANIFOLD,EXH.			1					
4	1	129001-13110	GASKET, EXH.MANIFOLD	1	1		1	1	1	1	1
5	1	129150-13110	GASKET, EXH.MANIFOLD	1		1	1				2
6	1	26366-080002	NUT M 8	2	2	2	2	2	2	2	
7	1	26106-080402	BOLT M 8X 40 PLATED	4	4		4	4	4	4	1
8	1	26106-080802	BOLT M 8X 80 PLATED	4		4	4				2
9	1	119131-18320	BOLT M 8X 22	4	4	4	4	4	4	4	
10	1	26216-080402	STUD M 8X 40 PLATED	2	2		2	2	2	2	1
11	1	26216-080802	STUD M 8X 80 PLATED	2		2	2				2
12	1	121000-13201	GASKET, SILENCER	1	1	1	1			1	
12-1	1	124701-11911	GASKET, (NON-ASB.)	1	1	1	1	1	1	1	N
		(A=E51602) (B=E51218) (C=E54297) (D=E53114) (F=E46620)									
13	1	119620-13501	SILENCER	1	1	1	1	1	1	1	1
14	2	119620-13510	MUFFLER BODY ASSY	1	1	1	1	1	1	1	1
15	2	119620-13520	TAILPIPE ASSY	1	1	1	1	1	1	1	1
16	3	119620-13560	TAILPIPE	1	1	1	1	1	1	1	1
17	3	124664-13580	CLAMP	1	1	1	1	1	1	1	1
18	3	119358-13640	RAINCAP,MUFFLER	1	1	1	1	1	1	1	1
19	3	121855-13821	SPACER(A)	1	1	1	1	1	1	1	1
20	3	121855-13830	SPACER(B)	2	2	2	2	2	2	2	1
21	3	123500-13840	SPACER(C)	1	1	1	1	1	1	1	1
22	3	26106-080552	BOLT M 8X 55 PLATED	1	1	1	1	1	1	1	1
23	3	26347-040002	U-NUT M 4	1	1	1	1	1	1	1	1
24	3	26347-060002	U NUT 6	1	1	1	1	1	1	1	1
25	3	26366-080002	NUT M 8	1	1	1	1			1	1
25-1	3	26306-080002	NUT	1	1	1	1	1	1	1	N 1
		(A=E5XXX) (B=E5XXX) (C=E5XXX) (D=E5XXX) (F=E5XXX)									
26	3	26557-040352	SCREW M 4X 35	1	1	1	1	1	1	1	1
27	3	26106-060402	BOLT M 6X 40 PLATED	1	1	1	1	1	1	1	1
28	1	26366-080002	NUT M 8	4	4	4	4			4	
28-1	1	26306-080002	NUT	4	4	4	4	4	4	4	N
		(A=E5XXX) (B=E5XXX) (C=E5XXX) (D=E5XXX) (F=E5XXX)									
29	1	119888-13502	SILENCER	1			1				2
30	1	124701-11911	GASKET, (NON-ASB.)	1	1	1	1	1	1	1	3

Remarks
 (1) FOR(SA01)(SA04)(ESA01)(ESA04).
 (2) FOR(SA02)(SA03)(ESA02)(ESA03).
 (3) LOOSE PART.

Fig.8. CAMSHAFT & DRIVING GEAR

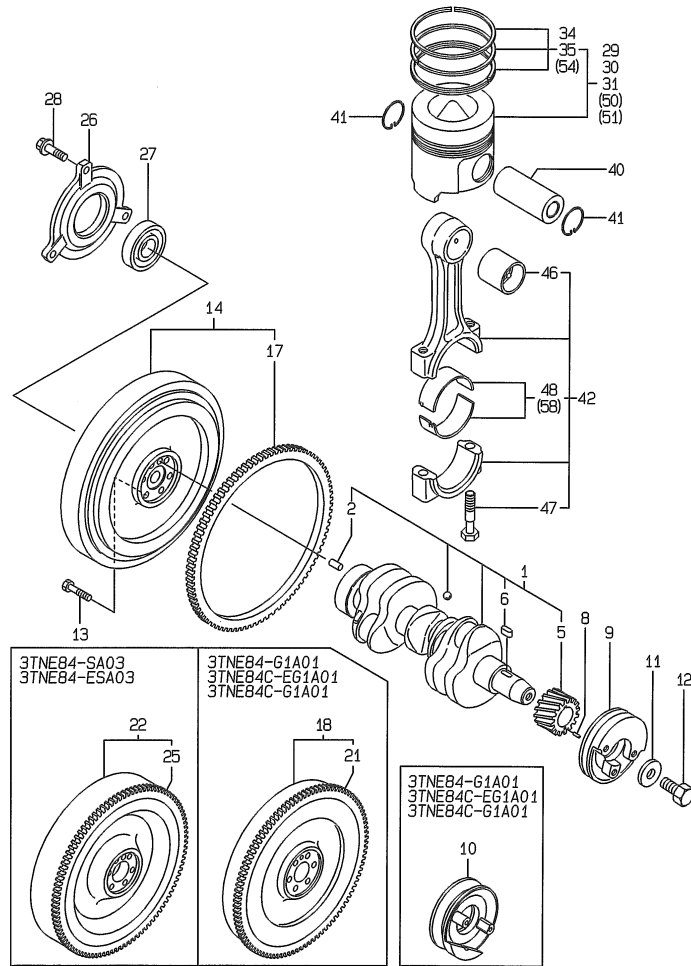
(A)=3TNE84-SA (D)=3TNE84-ESA
 (B)=3TNE84-G1A01 (E)=3TNE84CEG1A1
 (C)=3TNE84-G2A01 (F)=3TNE84CG1A01



REF.	LEV.	PARTS NO.	DESCRIPTION	QTY						I	R
				(A)	(B)	(C)	(D)	(E)	(F)		
1	1	129150-14200	TAPPET	6	6	6	6	6	6		
2	1	129150-14400	ROD, PUSH	6	6	6	6	6	6		
3	1	129129-14580	CAMSHAFT ASSY	1	1	1	1	1	1		
4	2	129150-02450	METAL,THRUST(CAM	1	1	1	1	1	1		
7	2	129150-14101	GEAR, CAMSHAFT	1	1	1	1	1	1		
8	2	22512-070140	KEY 7X 14	1	1	1	1	1	1		
9	1	129100-25061	SHAFT, IDLE GEAR	1	1	1	1	1	1		
10	1	129150-25101	GEAR W/BUSH	1	1	1	1	1	1		
13	2	129150-25920	BUSH, IDLE GEAR	1	1	1	1	1	1		1
14	1	26106-080452	BOLT M 8X 45 PLATED	2	2	2	2	2	2		
15	1	129150-25900	GEAR, FUEL INJ. PUMP	1	1						1
16	1	129100-25900	GEAR, FEED PUMP			1					
17	1	22217-120000	SPRING WASHER	1	1	1					1
18	1	26716-120002	NUT 12	1	1	1					1
19	1	129150-25301	BOLT,FI-P				4	4			
20	1	129150-25931	GEAR				1	1			
21	1	24321-000850	O-RING 1A G-85.0	1			1				2
22	1	26106-100452	BOLT M10X 45 PLATED	2			2				2
23	1	171353-26000	PTO ASSY	1			1				2
25	2	171353-26200	GEAR W/SHAFT	1			1				2
28	2	24105-060064	BALL BEARING	2			2				2
29	1	171353-26081	GASKET,HO-P BRACKET	1			1				2
30	1	26450-080282	BOLT M 8X 28	1			1				2
31	1	121023-26070	COVER, HO-P	1			1				2
32	1	26106-080142	BOLT M 8X 14 PLATED	2	2	2	2	2	2		2

Remarks
 (1) REPAIR PART.
 (2) FOR(SA04)(ESA04).

Fig.9. CRANKSHAFT & PISTON



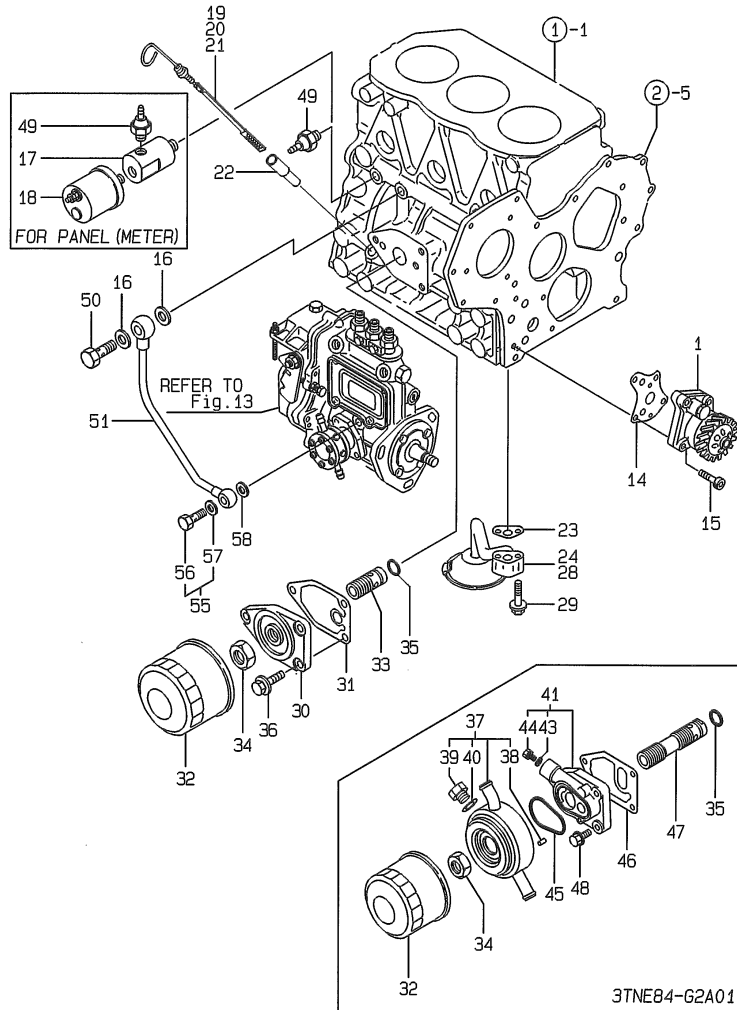
(A)=3TNE84-SA (D)=3TNE84-ESA
 (B)=3TNE84-G1A01 (E)=3TNE84CEG1A1
 (C)=3TNE84-G2A01 (F)=3TNE84CG1A01

REF.	LEV.	PARTS NO.	DESCRIPTION	QTY						I	R
				(A)	(B)	(C)	(E)	(F)			
1	1	129001-21100	CRANKSHAFT ASSY	1	1	1	1	1	1		
2	2	129100-01580	PARALLEL PIN 8X16	1	1	1	1	1	1		
5	2	129150-21200	GEAR, CRANKSHAFT	1	1	1	1	1	1		
6	2	22512-070140	KEY 7X 14	1	1	1	1	1	1		
8	1	22351-040010	SPRING PIN 4X10	1	1	1	1	1	1		
9	1	171340-21650	V-PULLEY, CRANKSHAFT	1		1	1				
10	1	129150-21650	V-PULLEY		1			1	1		
11	1	129795-21661	WASHER	1	1	1	1	1	1		
12	1	121850-21680	BOLT, V-PULLEY	1	1	1	1	1	1		
13	1	121111-21501	BOLT, FLYWHEEL	6	6	6	6	6	6		
14	1	129188-21590	FLYWHEEL W/RING GEAR	1		1	1				1
17	2	119865-21600	GEAR, RING	1		1	1				1
18	1	171340-21590	FLYWHEEL W/RING GEAR		1			1	1		
21	2	124550-21600	RING GEAR		1			1	1		
22	1	171340-21580	FLYWHEEL W/RING GEAR	1			1				2
25	2	119865-21600	GEAR, RING	1		1					2
26	1	119888-21450	RETAINER, BEARING	1			1				1
27	1	24107-062054	BALL BEARING	1			1				1
28	1	26106-080222	BOLT M 8X 22 PLATED	3			3				1
29	1	129002-22081	PISTON W/RINGS	3	3			3	3		
30	1	129002-22090	PISTON W/RING			3					
31	1	129002-22070	PISTON ASSY					3			
34	2	129002-22500	RING SET, PISTON	3	3			3	3	3	
35	2	129002-22510	RING SET, PISTON			3					
40	1	129202-22300	PIN,PISTON	3	3	3	3	3	3	3	
41	1	22252-000260	CIRCLIP 26	6	6	6	6	6	6	6	
42	1	729402-23100	ROD ASSY, CONNECTING	3	3	3	3	3	3	3	
46	2	129100-23910	BUSH, PISTON PIN	3	3	3	3	3	3	3	3
47	2	121550-23200	BOLT, CONNECTING ROD	6	6	6	6	6	6	6	
48	2	129150-23600	BEARING, CRANKPIN	3	3	3	3	3	3	3	
50	1	129002-22910	PISTON W/RING OS=.25	3	3	3		3	3	3	4
51	1	129002-22030	PISTON W/RING OS=.25				3				4
54	2	129002-22960	RING SET O.S=0.25	3	3	3	3	3	3	3	4
58	1	129150-23610	METAL.PIN US=0.25	3	3	3	3	3	3	3	5

Remarks
 (1) FOR(SA01)(SA02)(SA04)(ESA01)
 (ESA02)(ESA04).
 (2) FOR(SA03)(ESA03).
 (3) REPAIR PART.
 (4) OVER-SIZED(O.S=0.25)PART.
 (5) UNDER-SIZED(U.S=0.25)PART.

Fig.10. LUB.OIL SYSTEM

(A)=3TNE84-SA (D)=3TNE84-ESA
 (B)=3TNE84-G1A01 (E)=3TNE84CEG1A1
 (C)=3TNE84-G2A01 (F)=3TNE84CG1A01

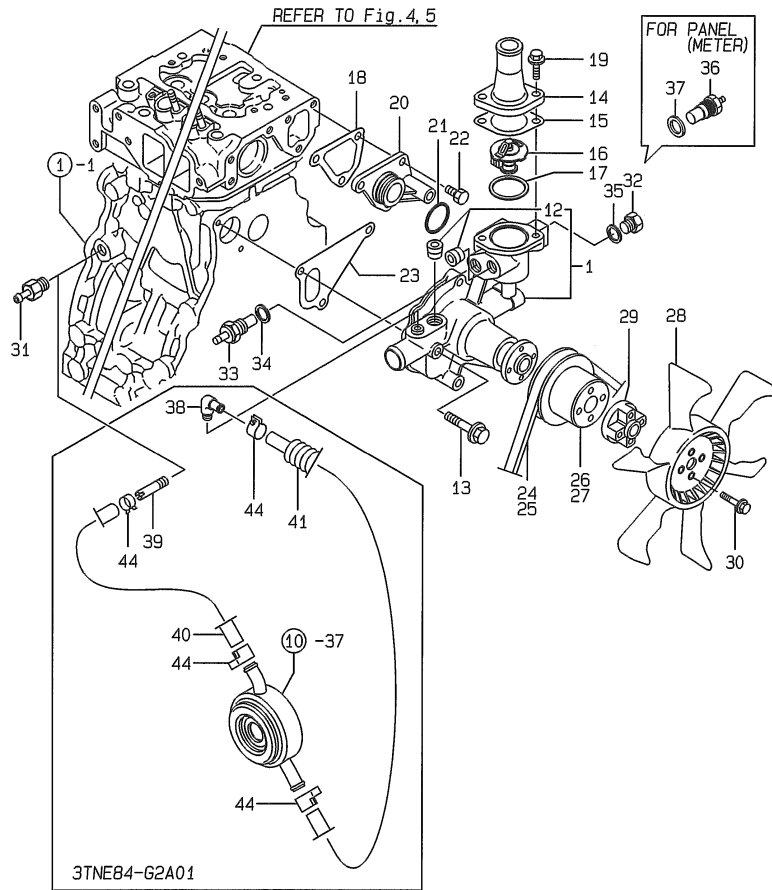


REF.	LEV.	PARTS NO.	DESCRIPTION	QTY						I	R
				(A)	(B)	(C)	(D)	(E)	(F)		
1	1	129001-32001	PUMP ASSY, LUB. OIL	1	1	1	1	1	1		
14	1	129150-32020	GASKET, L.O. PUMP	1	1	1	1	1	1		
15	1	26450-060252	BOLT M 6X 25	4	4	4	4	4	4		
16	1	22190-100002	SEAL WASHER 10S	2	2	2	2	2	2		
17	1	171375-39601	DUMPER ASSY	1	1	1	1	1	1	1	1
18	1	144626-91560	TACHO UNIT	1	1	1	1	1	1	1	1
19	1	171420-34800	DIPSTICK	1			1				
20	1	129136-34800	DIPSTICK, LUB. OIL		1			1	1		
21	1	129608-34800	DIPSTICK			1					
22	1	121520-34810	GUIDE, DIPSTICK	1	1		1	1	1		
23	1	129150-35041	GASKET, (NON-ASB.)	1	1	1	1	1	1		
24	1	129150-35091	PIPE ASSY, OIL INLET	1			1				
28	1	129100-35301	PIPE ASSY, OIL INLET		1	1		1	1		
29	1	26106-080352	BOLT M 8X 35 PLATED	2	2	2	2	2	2		
30	1	129150-35101	BRACKET, STRAINER	1	1		1	1	1		
31	1	129150-35111	GASKET, (NON-ASB.)	1	1		1	1	1		
32	1	129150-35151	FILTER 80X80L	1	1	1	1	1	1		
33	1	129001-35300	BOLT,LUB.O. STRAINER	1	1		1	1	1		
34	1	129150-35350	NUT	1	1	1	1	1	1		
35	1	24311-000160	O-RING 1A P-16.0	1	1	1	1	1	1		
36	1	26106-080202	BOLT M 8X 20 PLATED	3	3		3	3	3		
37	1	129417-33000	COOLER ASSY, OIL				1				
38	2	129120-33041	PARALLEL PIN			2					
39	2	129120-33051	PLUG, DRAIN			1					
40	2	129120-33060	GASKET, COOLER DRAIN			1					
41	1	129120-35001	BRACKET ASSY COOLER			1					
43	2	23414-100000	GASKET 10, ROUND			1					
44	2	23881-100002	PLUG 10			1					
45	1	129120-35110	GASKET 80			1					
46	1	129120-35121	GASKET, (NON-ASB.)			1					
47	1	129407-35300	STUD, LUB.OIL FILTER			1					
48	1	26106-080252	BOLT M 8X 25 PLATED			3					
49	1	124160-39450	SWITCH, OIL PRESSURE	1	1	1	1			1	
49-1	1	114250-39450	SWITCH,(0.5KG)L.O.	1	1	1	1	1	1	1	N
		(A=E51657)	(B=E52869)	(C=E54297)	(D=E53114)					(F=E46620)	
50	1	124160-39140	BOLT 10, PIPE JOINT	1	1	1	1	1	1	1	
51	1	129150-39450	PIPE ASSY, LUB. OIL	1	1	1	1	1	1	1	
55	1	124550-59830	BOLT W/ SEAL WASHER	1	1	1	1	1	1	1	
56	2	124550-59820	BOLT 8, PIPE JOINT	1	1	1	1	1	1	1	
57	2	22190-080002	SEAL WASHER 8S	1	1	1	1	1	1	1	
58	1	22190-080002	SEAL WASHER 8S	1	1	1	1	1	1	1	

Remarks
 (1) FOR PANEL(METER).

(A)=3TNE84-SA (D)=3TNE84-ESA
 (B)=3TNE84-G1A01 (E)=3TNE84CEG1A1
 (C)=3TNE84-G2A01 (F)=3TNE84CG1A01

Fig.11. COOLING WATER SYSTEM

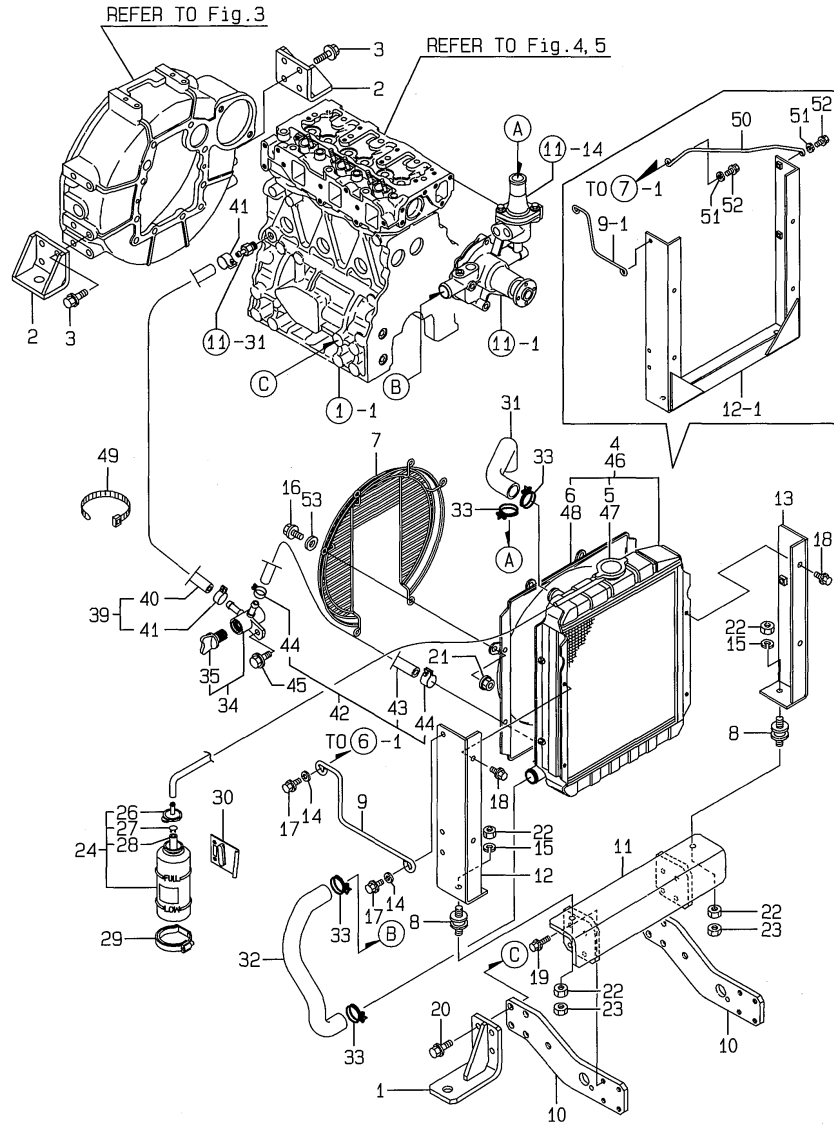


REF.	LEV.	PARTS NO.	DESCRIPTION	QTY						I	R
				(A)	(B)	(C)	(D)	(E)	(F)		
1	1	129001-42002	PUMP ASSY, C.WATER	1	1	1	1	1	1		
1-1	1	129001-42003	PUMP ASSY,COOLANT	1	1	1	1	1	1	1	N
		(A=E46072) (B=E45726) (C=E45535) (D=E53114)								(F=E46611)	
12	2	23871-030000	PLUG PT3/8,SCREW	2	2	2	2	2	2	2	
12-1	2	23876-030000	PLUG PT3/8,SCREW	2	2	2	2	2	2	2	N
		(A=E46072) (B=E45726) (C=E45535) (D=E53114)								(F=E46611)	
13	1	26106-080602	BOLT M 8X 60 PLATED	3	3	3	3	3	3	3	
14	1	129350-49560	COVER, THERMOSTAT	1	1	1	1	1	1	1	
15	1	129795-49551	GASKET, (NON-ASB.)	1	1	1	1	1	1	1	
16	1	129155-49800	THERMOSTAT	1	1	1	1	1	1	1	
17	1	129150-49811	GASKET, (NON-ASB.)	1	1	1	1	1	1	1	
18	1	129100-49840	GASKET, THERMO. CASE	1	1	1	1	1	1	1	
18-1	1	124395-49840	GASKET, THERMO. CASE	1	1	1	1	1	1	1	N
		(A=E54360) (B=E54118) (C=E54297) (D=E56252)								(F=E46620)	
19	1	26106-080202	BOLT M 8X 20 PLATED	2	2	2	2	2	2	2	
20	1	129001-42040	JOINT	1	1	1	1	1	1	1	
21	1	24321-000300	O-RING G30	1	1	1	1	1	1	1	
21-1	1	129486-42140	O-RING,CW-P	1	1	1	1	1	1	1	N
		(A=E47690) (B=E47597) (C=E54297) (D=E53114)								(F=E46620)	
22	1	26106-080162	BOLT M 8X 16 PLATED	3	3	3	3	3	3	3	
23	1	129100-42020	GASKET, C.W. PUMP	1	1	1	1	1	1	1	
23-1	1	129486-42021	GASKET	1	1	1	1	1	1	1	N
		(A=E46072) (B=E45726) (C=E45535) (D=E53114)								(F=E46611)	
24	1	25132-003700	V-BELT A37	1							1
25	1	25132-003800	V-BELT (A-38)	1	1	1	1	1	1	1	
26	1	129403-42380	V-PULLEY(D=110)	1		1	1				
27	1	129155-42350	V-PULLEY, C.W. PUMP		1					1	1
28	1	171340-44740	FAN, COOLING	1	1	1	1	1	1	1	
29	1	171353-44760	SPACER	1	1	1	1	1	1	1	
30	1	26106-060352	BOLT M 6X 35 PLATED	4	4	4	4	4	4	4	
31	1	121550-49111	JOINT PT1/4	1	1			1	1	1	
32	1	121450-42450	PLUG M16	1	1	1	1	1	1	1	
33	1	121250-44901	SWITCH, THERMO(110 C)	1	1	1	1	1	1	1	
34	1	124465-44950	GASKET 16	1	1	1	1	1	1	1	
35	1	124465-44950	GASKET 16	1	1	1	1	1	1	1	
36	1	124250-49351	THERMOMETER	1	1	1	1	1	1	1	2
37	1	129150-49360	GASKET 10	1	1	1	1	1	1	1	2
38	1	129103-49301	ELBOW PT 1/4				1				
39	1	129122-44480	JOINT			1					
40	1	129211-49030	PIPE, C.W.				1				
41	1	119265-49060	PIPE, C.W.				1				
44	1	23000-022000	CLAMP 22				4				

Remarks
 (1) FOR(SA04)(ESA04).
 (2) FOR PANEL(METER).

Fig.12. RADIATOR

発行No. 000Y00R5230-1
 更新年月: 2002.08
 REVISED: Sep., 2002



(A)=3TNE84-SA (D)=3TNE84-ESA
 (B)=3TNE84-G1A01 (E)=3TNE84CEG1A1
 (C)=3TNE84-G2A01 (F)=3TNE84CG1A01

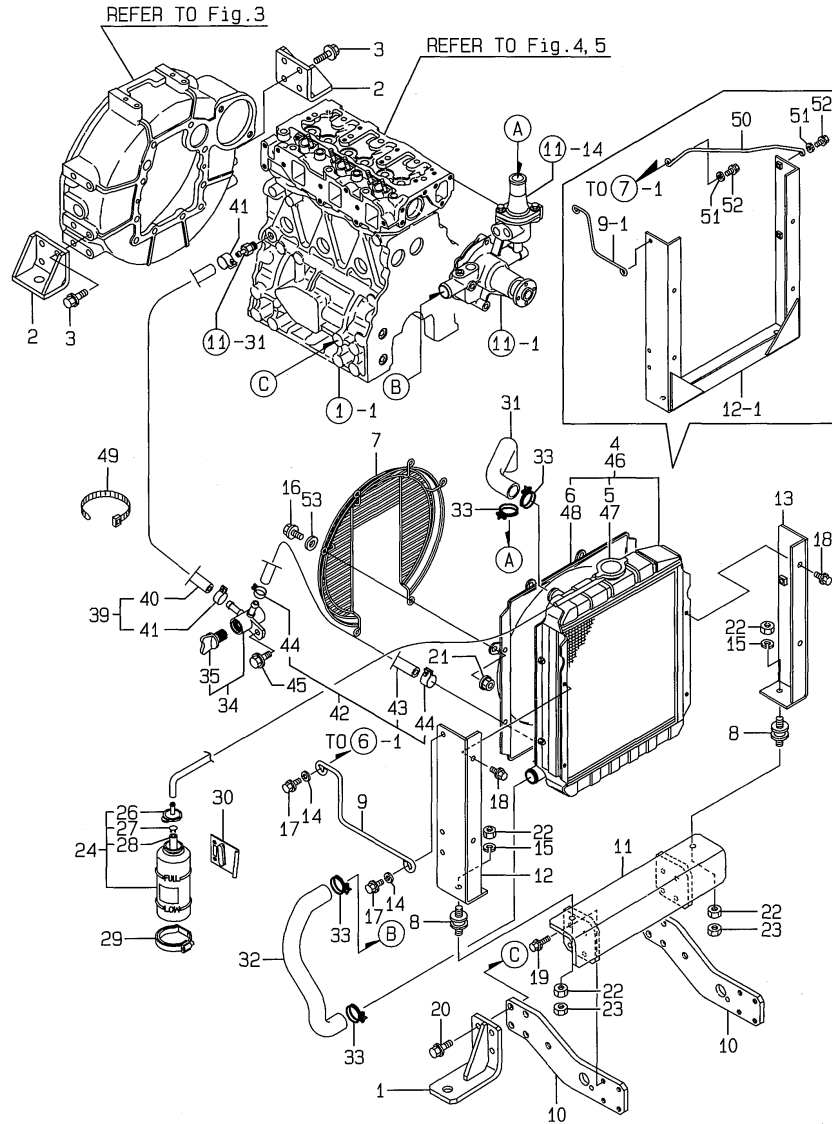
REF.	LEV.	PARTS NO.	DESCRIPTION	QTY						I	R
				(A)	(B)	(C)	(D)	(E)	(F)		
1	1	129188-08100	BRACKET (A), ENGINE	2	2		2	2	2		
2	1	119888-08110	BRACKET (B), ENGINE	2	2		2	2	2		
3	1	26106-100202	BOLT M10X 20 PLATED	8	8		8	8	8		
4	1	129120-44500	RADIATOR	1		1	1				
5	2	119259-44570	CAP, RADIATOR	1		1	1				
6	2	X2411367340	SHROUD	1		1	1				
7	1	129120-44560	PROTECTOR, FAN	1	1	1	1	1	1		
8	1	121400-44650	ABSORBER, SHOCK	2	2		2	2	2		
9	1	129211-44940	SUPPORT, RADIATOR	1	1		1	1	1		
I	9-1	129219-44941	RETAINER	1	1		1	1	1		N
		(A=E61971) (B=E62256)	(D=E61973) (E=*2001.03.) (F=E46611)								
	10	129188-44950	BRACKET (A)	2	2		2	2	2		
	11	129188-44960	BRACKET (B), RADIATOR	1	1		1	1	1		
	12	129188-44970	SUPPORT (A)	1	1		1	1	1		
I	12-1	129219-44971	SUPPORT	1	1		1	1	1		N
		(A=E61971) (B=E62256)	(D=E61973) (E=*2001.03.) (F=E46611)								
I	13	129188-44980	SUPPORT (B)	1	1		1	1	1		Z
		(A=E61971) (B=E62256)	(D=E61973) (E=*2001.03.) (F=E46611)								
	14	22137-080000	WASHER 8, POLISHED	2	2		2	2	2		
	15	22217-100000	SPRING WASHER 10	2	2		2	2	2		
	16	26106-080122	BOLT M 8X 12 PLATED	6	6	6	6	6	6		
I	16-1	26106-080142	BOLT M 8X 14 PLATED	6	6		6	6	6		N
		(A=E61971) (B=E62256)	(D=E61973) (E=*2001.03.) (F=E46611)								
	17	26106-080162	BOLT M 8X 16 PLATED	2	2		2	2	2		
	18	26106-080202	BOLT M 8X 20 PLATED	4	4		4	4	4		
	19	26106-080252	BOLT M 8X 25 PLATED	8	8		8	8	8		
	20	26106-100302	BOLT M10X 30 PLATED	8	8		8	8	8		
	21	26366-080002	NUT M 8	6	6	6	6	6	6		
	21-1	26306-080002	NUT	6	6	6	6	6	6		N
		(A=E61971) (B=E62256)	(C=E61973) (D=E61973) (F=E61973)								
	22	26716-100002	NUT 10	4	4		4	4	4		
	23	26756-100002	LOCK NUT M10 PLATED	2	2		2	2	2		
	24	124450-44510	SUB-TANK ASSY	1	1	1	1	1	1		
	26	124450-44530	CAP	1	1	1	1	1	1		
	27	124450-44560	CLAMP	1	1	1	1	1	1		
	28	23061-070230	PIPE 7X 230	1	1	1	1	1	1		
	29	124450-44550	CLAMP, SUB-TANK	1	1	1	1	1	1		
	30	121256-44600	BRACKET, SUB-TANK	1	1	1	1	1	1		
	31	171301-49010	PIPE (A), C. WATER	1	1	1	1	1	1		
	32	129211-49020	PIPE (B), C. WATER	1	1	1	1	1	1		
	33	23010-038000	CLAMP 38	4	4	4	4	4	4		
	34	129150-49100	COCK ASSY, 3-WAY	1	1	1	1	1	1		
	35	129150-49080	COCK, DRAIN	1	1	1	1	1	1		
	39	119823-49100	PIPE, C.W.	1	1	1	1	1	1		
	40	119823-49010	CW-T	1	1	1	1	1	1		
	41	124766-59050	CLAMP 12	2	2		2	2	2		
	42	129209-49100	PIPE ASSY, C.W.	1	1		1	1	1		
	43	129209-49010	CW-T	1	1		1	1	1		
	44	124766-59050	CLAMP 12	2	2		2	2	2		
	45	26106-080162	BOLT M 8X 16 PLATED	1	1		1	1	1		
	46	129420-44510	RADIATOR		1			1	1		
	47	119259-44570	CAP, RADIATOR		1			1	1		
	48	X2411367340	SHROUD		1			1	1		
	49	121750-59890	CLAMP 140		1			1	1		

++ CONTINUE ++

Fig.12. RADIATOR

(A)=3TNE84-SA (D)=3TNE84-ESA
 (B)=3TNE84-G1A01 (E)=3TNE84CEG1A1
 (C)=3TNE84-G2A01 (F)=3TNE84CG1A01

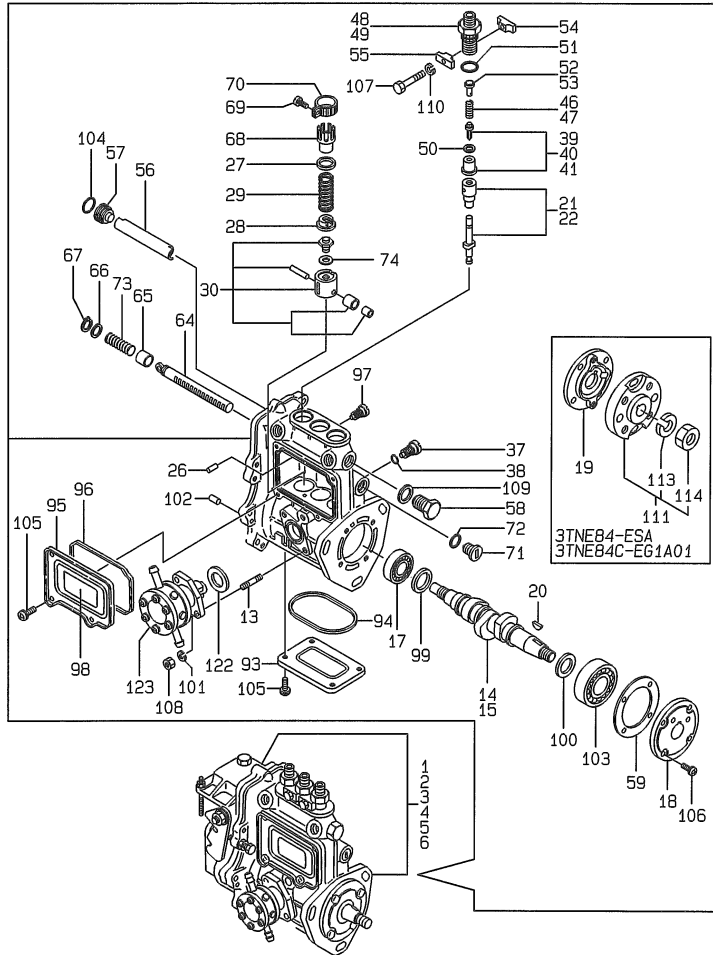
発行No. 000Y00R5230-1
 改訂年月: 2002.09
 REVISED: Sep., 2002



REF.	LEV.	PARTS NO.	DESCRIPTION	QTY						I	R	
				(A)	(B)	(C)	(D)	(E)	(F)			
I	50	1 (A=E61971)	129219-44951 (B=E62256)	RETAINER (D=E61973)	1	1 (E=*2001.03.)	1	1	1	1	W	
I	51	1 (A=E61971)	22157-060000 (B=E62256)	WASHER 6 (D=E61973)	2	2 (E=*2001.03.)	2	2	2	2	W	
I	52	1 (A=E61971)	26106-060142 (B=E62256)	BOLT M 6X 14 PLATED (D=E61973)	2	2 (E=*2001.03.)	2	2	2	2	W	
I	53	1 (A=E61971)	22137-080000 (B=E62256)	WASHER 8, POLISHED (D=E61973)	6	6 (E=*2001.03.)	6	6	6	6	W	

Fig.13. FUEL INJECTION PUMP

(A)=3TNE84-SA (D)=3TNE84-ESA
 (B)=3TNE84-G1A01 (E)=3TNE84CEG1A1
 (C)=3TNE84-G2A01 (F)=3TNE84CG1A01



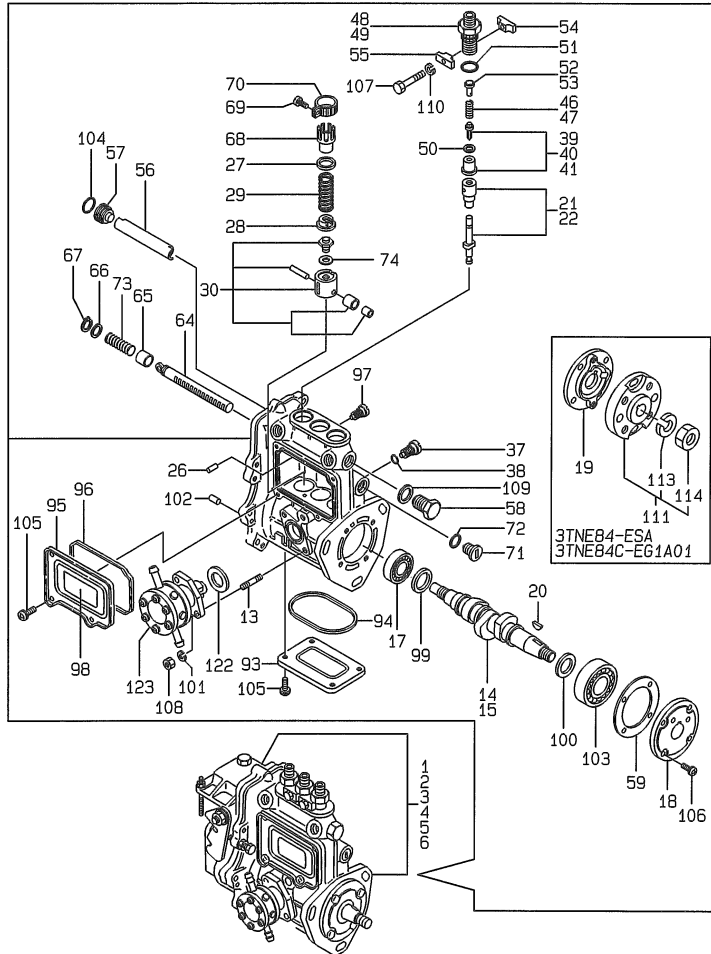
Remarks
 (1)GOVERNOR ASSY(FIG.14)IS
 INCORPORATED IN THIS FUEL
 INJECTION PUMP ASSY(REF.NO.1,2,3,
 4,5,6).

REF.	LEV.	PARTS NO.	DESCRIPTION	QTY						I	R
				(A)	(B)	(C)	(D)	(E)	(F)		
1	1	729211-51390	PUMP ASSY, F. INJEC.	1							1
2	1	729002-51310	PUMP ASSY, F.INJECT		1						1
3	1	729212-51400	PUMP W/GOV. & F.PUMP			1					1
4	1	729223-51450	PUMP ASSY, F. INJEC.				1				1
5	1	729211-51480	PUMP ASSY, F.INJECT.					1			1
6	1	729211-51310	FUEL INJECTION PUMP							1	1
13	2	129155-51020	STUD, FEED PUMP	2	2	2	2	2	2		
14	2	119810-51040	CAMSHAFT	1	1	1		1	1		
15	2	129171-51040	CAMSHAFT				1				
17	2	129155-51050	BALL BEARING, THRUST	1	1	1	1	1	1		
18	2	129155-51060	CAM SHAFT SUPPORT	1	1	1					1
19	2	129208-51060	SUPPORT				1	1			
20	2	122710-51090	KEY	1	1	1	1	1	1		
21	2	129506-51100	PLUNGER W/BARREL	3	3		3	3	3		
22	2	129412-51200	PLUNGER W/BARREL			3					
26	2	129155-51140	PIN, BARREL LOCKING	3	3	3	3	3	3		
27	2	174307-51170	RETAINER A	3	3	3	3	3	3		
28	2	129155-51180	SPRING SHOE, PLUNGER	3	3	3	3	3	3		
29	2	124950-51190	SPRING, PLUNGER	3	3	3	3	3	3		
30	2	129155-51200	TAPPET ASSY	3	3	3	3	3	3		
37	2	129155-51270	LOCKING, TAPPET	3	3	3	3	3	3		
38	2	129155-51280	O-RING S6	3	3	3	3	3	3		
39	2	129100-51300	VALVE W/SEAT, DELIV.	3	3			3	3		
40	2	105300-51300	VALVE W/SEAT, DELIV.			3					
41	2	129208-51300	VALVE, DELIVERY				3				
46	2	129155-51320	SPRING, DELIV. VALVE	3	3	3			3	3	
47	2	129573-51330	SPRING, DELY. VALVE			3					
48	2	129155-51340	GUARD,DELIVERY VALVE	3	3	3			3	3	
49	2	129573-51340	GUARD, DELY. VALVE				3				
50	2	124550-51350	GASKET, DELIVERY	3	3	3	3	3	3		
51	2	124550-51370	O-RING, DELIVERY	3	3	3	3	3	3		
52	2	129155-51370	STOPPER, VALVE	3	3	3			3	3	
53	2	129573-51370	STOPPER, VALVE			3					
54	2	129155-51380	LOCKING (A)	2	2	2	2	2	2		
55	2	129155-51390	LOCKING (B)	2	2	2	2	2	2		
56	2	129155-51400	DEFLECTOR	1	1	1	1	1	1		
57	2	129155-51410	CHECK BOLT,DEFLECTOR	1	1	1	1	1	1		
58	2	129155-51420	PLUG (M16)	1	1	1	1	1	1		
59	2	129155-51450	SHIM SET, ADJUSTING	1	1	1	1	1	1		
64	2	129155-51500	RACK, CONTROL	1	1	1	1	1	1		
65	2	129155-51521	BUSH, RACK	1	1	1	1	1	1		
66	2	129155-51530	SPACER, AUX. SPRING	1	1	1	1	1	1		
67	2	129155-51540	CIRCLIP	1	1	1	1	1	1		
68	2	129155-51550	PINION, CONTROL	3	3	3	3	3	3		
69	2	122117-51560	SCREW, PINION	3	3	3	3	3	3		
70	2	174307-51560	PINION	3	3	3	3	3	3		
71	2	129155-51570	PLUG (M12)	1	1	1	1	1	1		
72	2	129155-51580	O-RING	1	1	1	1	1	1		
73	2	129155-51591	SPRING, RACK	1	1	1	1	1	1		
74	2	129155-51600	SHIM PACK	3	3	3	3	3	3		
93	2	129155-51700	COVER, LOWER	1	1	1	1	1	1		
93-1	2	129155-51701	COVER	1	1	1	1	1	1	1	N
		(A=E52558)	(B=E52869)	(C=E54297)	(D=E53114)					(F=E46620)	
94	2	129155-51710	GASKET, LOWER COVER	1	1	1	1	1	1		

++ CONTINUE ++

(A)=3TNE84-SA (D)=3TNE84-ESA
 (B)=3TNE84-G1A01 (E)=3TNE84CEG1A1
 (C)=3TNE84-G2A01 (F)=3TNE84CG1A01

Fig.13. FUEL INJECTION PUMP

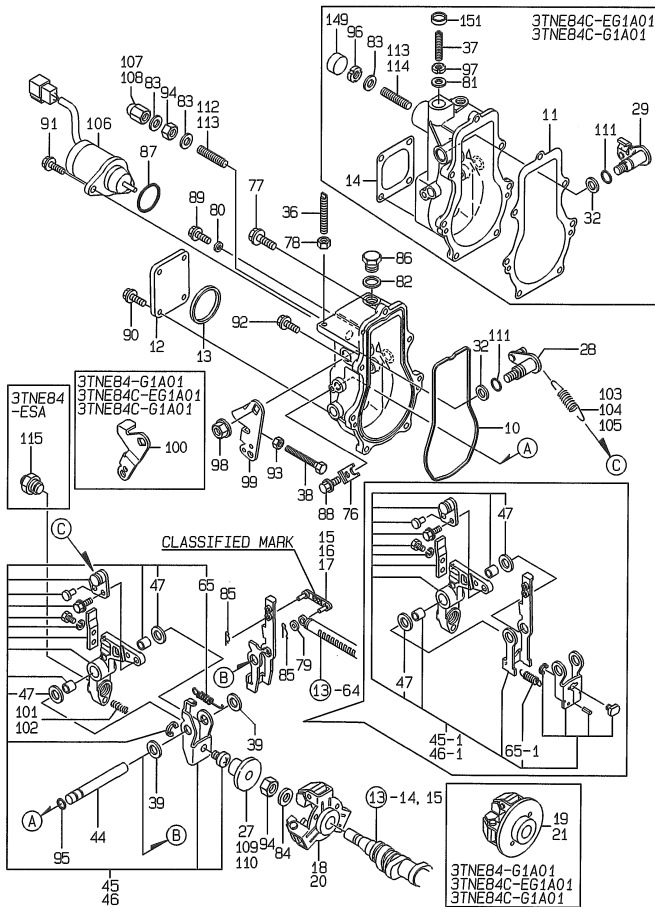


REF.	LEV.	PARTS NO.	DESCRIPTION	QTY						I	R
				(A)	(B)	(C)	(D)	(E)	(F)		
94-1	2	129155-51711 (A=E57896) (B=E58437)	PACKING (C=E58641) (D=E59143)	1	1	1	1	1	1	1	N
95	2	129155-51750	COVER, SIDE	1	1	1	1			1	
95-1	2	129155-51751 (A=E52558) (B=E52869)	COVER, SIDE (C=E54297) (D=E53114)	1	1	1	1	1	1	1	N
96	2	129155-51760	GASKET, SIDE COVER	1	1	1	1	1	1	1	
97	2	129155-51790	LOCKING, RACK	1	1	1	1	1	1	1	
98	2	129156-51910	LABEL, CAUTION	1	1	1	1	1	1	1	
99	2	129155-51930	SPACER T=3.25	1	1	1	1	1	1	1	
100	2	129155-51940	SPACER T=1.5	1	1	1	1	1	1	1	
101	2	22217-060000	SPRING WASHER 6	2	2	2	2	2	2	2	
102	2	22351-050010	SPRING PIN 5X10	2	2	2	2	2	2	2	
103	2	24101-063034	BALL BEARING	1	1	1	1	1	1	1	
104	2	24341-000160	O-RING 1A S-16.0	1	1	1	1	1	1	1	
105	2	26022-050102	SCREW M 5X 10	8	8	8	8	8	8	8	
105-1	2	26022-050122 (A=E52558) (B=E52869)	SCREW M 5X 12 (C=E54297) (D=E53114)	8	8	8	8	8	8	8	N
106	2	26022-060162	SCREW M 6X 16	4	4	4	4	4	4	4	
107	2	26116-050302	BOLT M 5X 30 PLATED	2	2	2	2	2	2	2	
108	2	26716-060002	NUT 6	2	2	2	2	2	2	2	
109	2	22190-160002	SEAL WASHER 16S	1	1	1	1	1	1	1	
110	2	22217-050000	SPRING WASHER 5	2	2	2	2	2	2	2	
111	2	129208-54500	FLANGE ASSY					1	1		
113	3	22217-120000	SPRING WASHER					1	1		
114	3	26716-120002	NUT 12					1	1		
122	2	129155-52050	GASKET	1	1	1	1	1	1	1	
123	2	129100-52100	PUMP ASSY, FUEL FEED	1	1	1	1	1	1	1	

Remarks
 (1)GOVERNOR ASSY(FIG.14)IS
 INCORPORATED IN THIS FUEL
 INJECTION PUMP ASSY(REF.NO.1,2,3,
 4,5,6).

Fig.14. GOVERNOR

(A)=3TNE84-SA (D)=3TNE84-ESA
 (B)=3TNE84-G1A01 (E)=3TNE84CEG1A1
 (C)=3TNE84-G2A01 (F)=3TNE84CG1A01



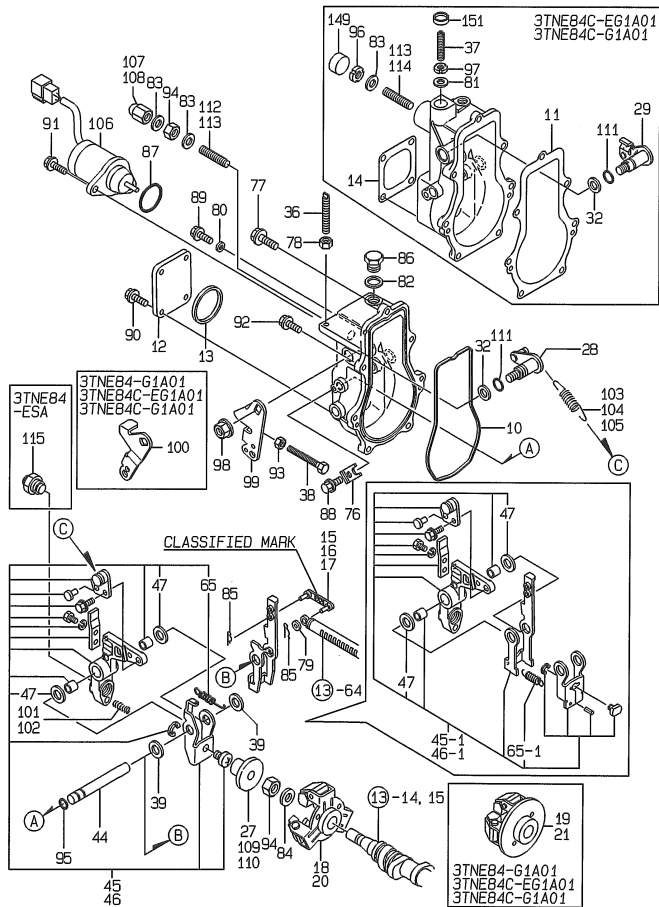
Remarks
 (1) SELECTIVE PARTS: CERTAIN THE CLASSIFICATION MARK, THEN PLACE YOUR ORDER.(REFER TO ILLUSTRATION).
 (2) SELECTIVE PARTS.
 (3) REPAIR PART.
 * THIS FIGURE(GOVERNOR ASSY)IS INCORPORATED IN THE FUEL INJECTION PUMP ASSY(FIG.13).

REF.	LEV.	PARTS NO.	DESCRIPTION	QTY						I	R
				(A)	(B)	(C)	(D)	(E)	(F)		
10	2	129052-61050	PACKING	1	1	1	1				
11	2	129116-61051	GASKET, SPACER						1	1	
12	2	129052-61060	COVER	1	1	1	1	1	1	1	
13	2	129052-61070	PACKING	1	1	1	1				
14	2	119988-61070	PACKING						1	1	
15	2	129155-61120	LINK L=30(MARK 0)	1	1	1	1	1	1	1	1
16	2	129155-61130	LINK L=31(MARK 1)	1	1	1	1	1	1	1	1
17	2	129155-61140	LINK L=30.5(MARK 05)	1	1	1	1	1	1	1	1
18	2	129155-61202	WEIGHT ASSY,GOVERNOR	1	1	1					
19	2	171488-61200	WEIGHT ASSY, GOV.		1					1	
20	2	129486-61201	WEIGHT ASSY,GOVERNOR					1			
21	2	129618-61200	WEIGHT ASSY						1		
27	2	129155-61341	SLEEVE	1	1	1	1	1	1	1	2
28	2	129100-61400	SHAFT ASSY, CONTROL	1	1	1	1				
29	2	119988-61400	SHAFT ASSY,CONTROL							1	1
32	2	129155-61430	SPACER, SHAFT	1	1	1	1	1	1	1	
36	2	129155-61450	BOLT, REVOL. LIMIT	1	1	1	1				
37	2	119988-61460	BOLT, REVOL. LIMIT							1	1
38	2	129155-61460	BOLT, IDLE LIMIT	1	1	1	1	1	1	1	
39	2	129155-61480	SPACER ASSY	2	2	2	2	2	2	2	
44	2	129052-61390	SHAFT, GOV. LEVER	1	1	1	1	1	1	1	
45	2	129052-61500	LEVER ASSY,GOVERNOR	1				1			
45-1	2	119908-61501	LEVER ASSY,GOVERNOR	1				1			S
				(A=E56751)	(D=E59142)						
46	2	129412-61500	LEVER ASSY,GOVERNOR		1	1				1	
46-1	2	129486-61501	LEVER ASSY,GOVERNOR		1	1			1	1	S
				(B=E56598)	(C=E56667)						(F=E46620)
47	3	174307-51700	SHIM SET	2	2	2	2	2	2	2	
65	3	129052-61540	SPRING	1	1	1	1	1	1	1	
65-1	3	129486-61540	SPRING, SET	1	1	1	1	1	1	1	S
				(A=E56751)	(B=E56598)	(C=E56667)	(D=E59142)	(F=E46620)			
76	2	119660-61901	RETAINER, SHAFT	1	1	1	1	1	1	1	
77	2	129155-61950	BOLT, WASHER BASED	1	1	1	1	1	1	1	
78	2	124550-66370	LOCK NUT M 6	1	1	1	1				
79	2	22117-040000	WASHER 4	1	1	1	1	1	1	1	
80	2	22190-060003	WASHER,SEAL 6	1	1	1	1				
81	2	22190-060002	SEAL WASHER 6S							1	1
82	2	22190-100002	SEAL WASHER 10S	1	1	1	1	1	1	1	
83	2	22190-120002	SEAL WASHER 12	2	2	2	2	2	1	1	
84	2	22287-120000	WASHER 12	1	1	1	1	1	1	1	
85	2	22372-040000	SNAP PIN 4	2	2	2	2	2	2	2	
86	2	23887-100002	PLUG 10	1	1	1	1	1	1	1	
87	2	24341-000280	O-RING 1A S-28.0	1	1	1	1	1	1	1	
88	2	26106-060102	BOLT M 6X 10 PLATED	1	1	1	1	1	1	1	
89	2	26106-060102	BOLT M 6X 10 PLATED	1	1	1	1	1	1	1	
90	2	26106-060102	BOLT M 6X 10 PLATED	4	4	4	4	4	4	4	
91	2	26106-060142	BOLT M 6X 14 PLATED	2	2	2	2	2	2	2	
92	2	26106-060202	BOLT M 6X 20 PLATED	6	6	6	6	6	6	6	
93	2	26756-060002	LOCK NUT 6	1	1	1	1	1	1	1	
94	2	26776-120002	LOCK NUT M12 PLATED	2	2	2	2	2	2	2	
95	2	129155-51280	O-RING S6	1	1	1	1	1	1	1	
96	2	119685-61940	CARB NUT(FO-LIMIT							1	1
97	2	119685-61950	CARB NUT(HI-IDLE							1	1
98	2	26366-080002	NUT M 8	1	1	1	1	1	1	1	

++ CONTINUE ++

Fig.14. GOVERNOR

(A)=3TNE84-SA (D)=3TNE84-ESA
 (B)=3TNE84-G1A01 (E)=3TNE84CEG1A1
 (C)=3TNE84-G2A01 (F)=3TNE84CG1A01



REF.	LEV.	PARTS NO.	DESCRIPTION	QTY						I	R
				(A)	(B)	(C)	(D)	(E)	(F)		
99	2	129100-61440	LEVER, CONTROL	1		1	1				
100	2	171488-61440	LEVER, CONTROL		1			1	1		
101	2	129100-61650	SPRING, FUEL CONTROL	1			1				
102	2	129500-61650	SPRING, FUEL CONTROL		1	1	1	1	1		
103	2	171353-61720	SPRING, GOVERNOR	1			1				
104	2	129477-61720	SPRING, GOVERNOR		1			1	1		
105	2	129500-61700	SPRING, GOVERNOR				1				
106	2	119653-77950	SOLENOID, STOP	1	1	1	1	1	1	1	
107	2	26687-120002	CAP NUT M12	1	1	1					
108	2	129100-61930	NUT, CAP					1			
109	2	129155-61350	SLEEVE	1	1	1	1	1	1	1	2
110	2	129155-61360	SLEEVE	1	1	1	1	1	1	1	2
111	2	129155-61830	O-RING S10	1	1	1	1	1	1	1	
112	2	129155-61470	BOLT, FUEL CONTROL	1	1	1					
113	2	120323-61470	BOLT, CONTROL				1	1			
114	2	129155-61470	BOLT, FUEL CONTROL						1		
115	2	129132-61550	ANGLEICH ASSY				1				
149	1	119621-66610	PLUG 22					1	1	1	3
151	1	119621-66710	PLUG 14					1	1	1	3

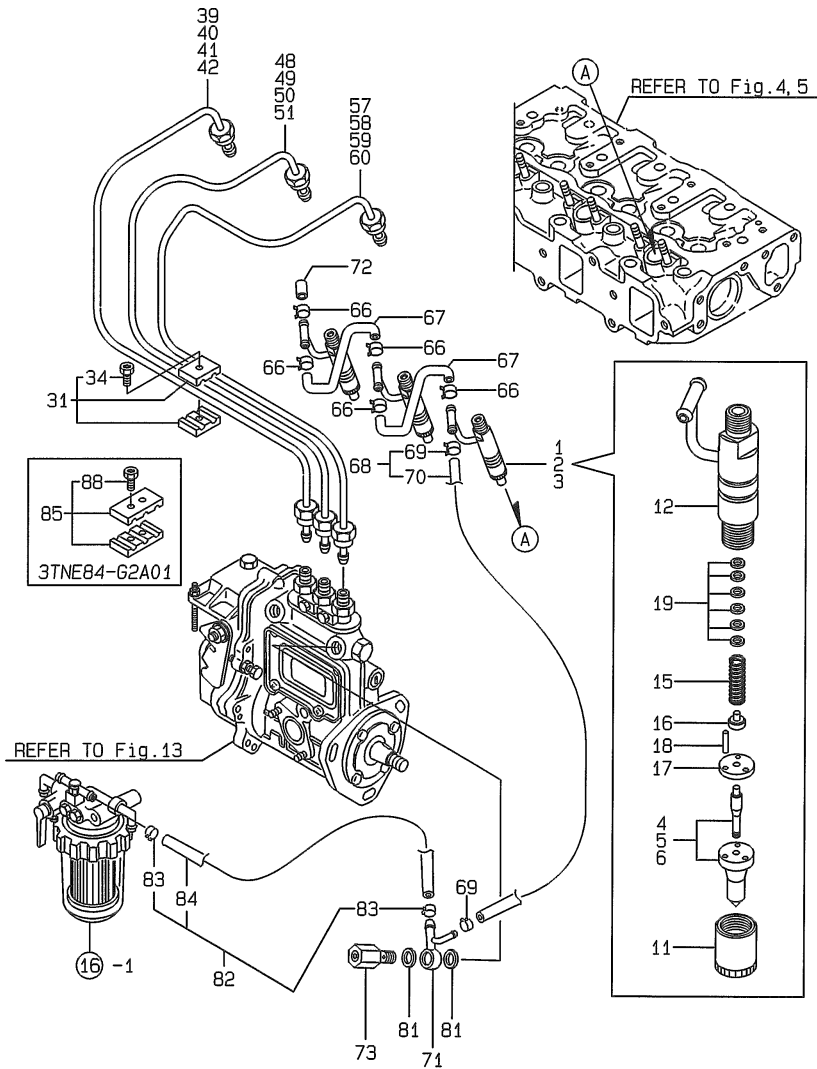
Remarks

- (1) SELECTIVE PARTS: CERTAIN THE CLASSIFICATION MARK, THEN PLACE YOUR ORDER.(REFER TO ILLUSTRATION).
 - (2) SELECTIVE PARTS.
 - (3) REPAIR PART.
- * THIS FIGURE(GOVERNOR ASSY)IS INCORPORATED IN THE FUEL INJECTION PUMP ASSY(FIG.13).

Fig.15. FUEL INJECTION VALVE

15. FUEL INJECTION VALVE

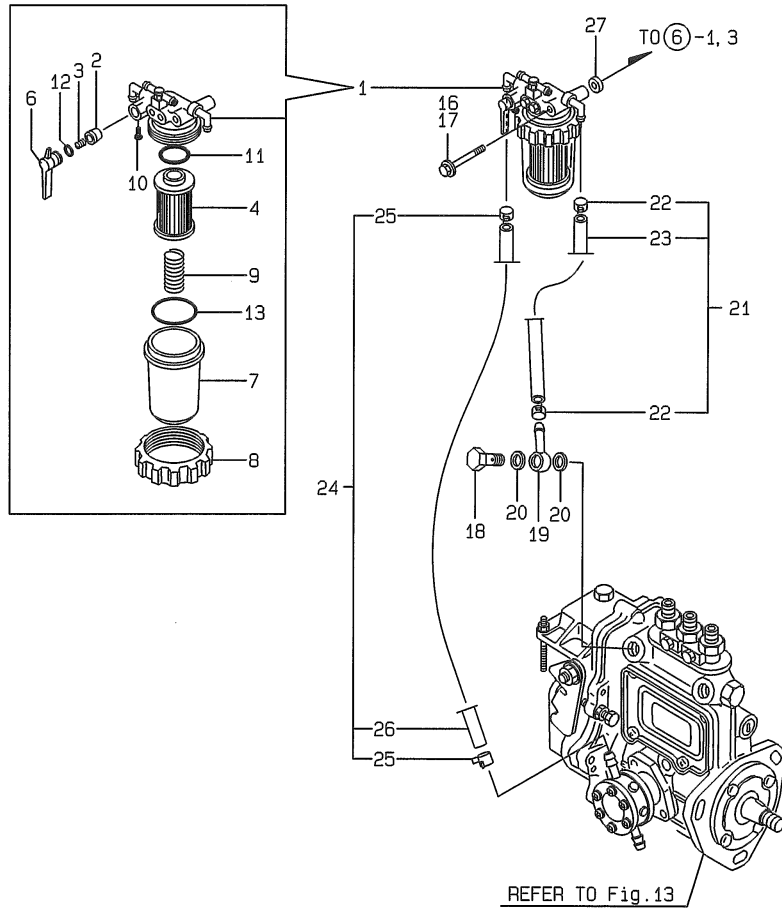
(A)=3TNE84-SA (D)=3TNE84-ESA
 (B)=3TNE84-G1A01 (E)=3TNE84CEG1A1
 (C)=3TNE84-G2A01 (F)=3TNE84CG1A01



REF.	LEV.	PARTS NO.	DESCRIPTION	QTY						I	R
				(A)	(B)	(C)	(D)	(E)	(F)		
1	1	729503-53100	VALVE ASSY, F.INJECT	3			3				
2	1	719810-53100	VALVE ASSY, F.INJECT		3			3	3		
3	1	729100-53100	VALVE ASSY, F.INJECT			3					
4	2	129503-53000	NOZZLE ASSY,F.INJECT	3			3				
5	2	119810-53000	NOZZLE ASSY,F.INJECT		3			3	3		
6	2	129100-53000	NOZZLE ASSY,F.INJECT			3					
11	2	114250-53080	NUT, NOZZLE CASE	3	3	3	3	3	3		
12	2	129100-53100	HOLDER ASSY, NOZZLE	3	3	3	3	3	3		
15	2	114250-53120	SPRING, NOZZLE	3	3	3	3	3	3		
16	2	114250-53130	SEAT, NOZZLE SPRING	3	3	3	3	3	3		
17	2	114250-53140	PLATE, STOP	3	3	3	3	3	3		
18	2	114250-53210	PIN	6	6	6	6	6	6		
19	2	114250-53400	SHIM PACK	3	3	3	3	3	3		
31	1	119305-59120	RETAINER	2	2		2	2	2		
34	2	129150-59131	BOLT M4X14,HEX.SCKT.	2	2		2	2	2		
39	1	129052-59710	PIPE, FUEL INJECTION	1							
39-1	1	129052-59711	PIPE, F.INJ. (NO.1)	1							N
(A=E53439)											
40	1	129002-59810	PIPE, FUEL INJECTION		1					1	
41	1	129100-59811	PIPE, FUEL INJECTION			1					
42	1	129052-59810	PIPE, FUEL INJECTION				1	1			
48	1	129052-59720	PIPE, FUEL INJECTION	1							
49	1	129002-59820	PIPE, FUEL INJECTION		1					1	
50	1	129100-59821	PIPE, FUEL INJECTION			1					
51	1	129052-59820	PIPE, FUEL INJECTION				1	1			
57	1	129052-59730	PIPE(1 ASSY	1							
58	1	129002-59831	PIPE, FUEL INJECTION		1					1	
59	1	129100-59831	PIPE, FUEL INJECTION			1					
60	1	129052-59830	PIPE, FUEL INJECTION				1	1			
66	1	124066-59100	CLAMP 8	5	5	5	5	5	5		
67	1	121250-59550	PIPE, FUEL	2	2	2	2	2	2		
68	1	119840-59500	PIPE ASSY, RETURN	1	1	1	1	1	1		
69	2	124066-59100	CLAMP 8	2	2	2	2	2	2		
70	2	119840-59560	PIPE, FUEL RETURN	1	1	1	1	1	1		
71	1	119840-59570	JOINT	1	1	1	1	1	1		
72	1	129150-59580	CAP	1	1	1	1	1	1		
73	1	129100-59951	VALVE ASSY, CHECK	1	1	1	1	1	1		
81	1	22190-120002	SEAL WASHER 12	2	2	2	2	2	2		
82	1	129210-59130	PIPE ASSY, FUEL OIL	1	1	1	1	1	1		
83	2	124766-59050	CLAMP 12	2	2	2	2	2	2		
84	2	105025-59750	PIPE, FUEL OIL	1	1	1	1	1	1		
85	1	129150-59120	RETAINER, INJ. PIPE			1					
88	2	129150-59131	BOLT M4X14,HEX.SCKT.			2					

Fig.16. FUEL FILTER

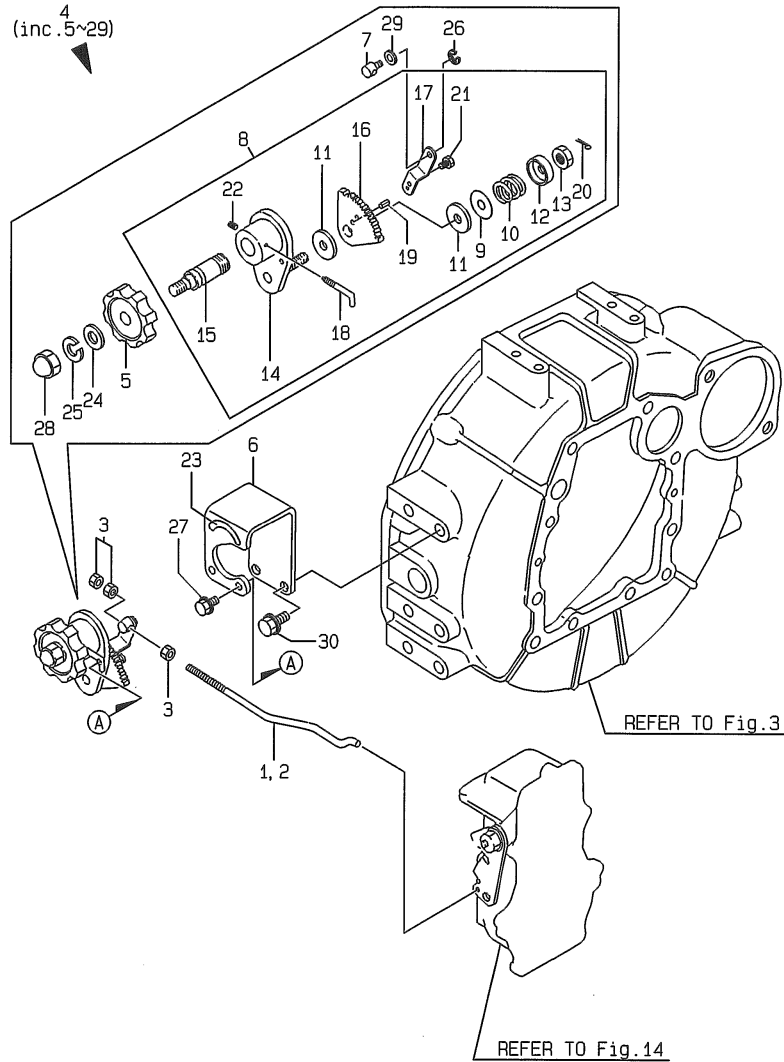
(A)=3TNE84-SA (D)=3TNE84-ESA
 (B)=3TNE84-G1A01 (E)=3TNE84CEG1A1
 (C)=3TNE84-G2A01 (F)=3TNE84CG1A01



REF.	LEV.	PARTS NO.	DESCRIPTION	QTY						I	R
				(A)	(B)	(C)	(D)	(E)	(F)		
1	1	129052-55620	STRAINER ASSY, FUEL	1	1	1	1	1	1		
2	2	104200-55321	VALVE, TAPER	1	1	1	1	1	1		
3	2	104200-55330	SPRING, TAPER VALVE	1	1	1	1	1	1		
4	2	129100-55650	ELEMENT, FUEL	1	1	1	1	1	1		
6	2	129100-55670	LEVER	1	1	1	1	1	1		
7	2	129100-55680	CUP, STRAINER	1	1	1	1	1	1		
8	2	129100-55690	RING, RETAINING	1	1	1	1	1	1		
9	2	129100-55700	SPRING	1	1	1	1	1	1		
10	2	104200-55750	SCREW M 4	1	1	1	1	1	1		
11	2	24311-000160	O-RING 1A P-16.0	1	1	1	1	1	1		
12	2	24311-240100	O-RING 1A P-10A	1	1	1	1	1	1		
13	2	24321-000650	O-RING 1A G-65.0	1	1	1	1	1	1		
16	1	26014-080702	BOLT W/WASHER M8X 70	1	1		1	1	1		
17	1	26014-080852	BOLT M 8X 85			1					
18	1	103854-39140	BOLT, PIPE JOINT	1	1	1	1	1	1		
19	1	101304-59020	JOINT 12, PIPE	1	1	1	1	1	1		
20	1	22190-120002	SEAL WASHER 12	2	2	2	2	2	2		
21	1	129210-59020	PIPE ASSY, FUEL OIL	1	1	1	1	1	1		
22	2	124766-59050	CLAMP 12	2	2	2	2	2	2		
23	2	129115-59510	PIPE, FUEL	1	1	1	1	1	1		
24	1	129210-59130	PIPE ASSY, FUEL OIL	1	1	1	1	1	1		
25	2	124766-59050	CLAMP 12	2	2	2	2	2	2		
26	2	105025-59750	PIPE, FUEL OIL	1	1	1	1	1	1		
27	1	129411-55690	SPACER			1					

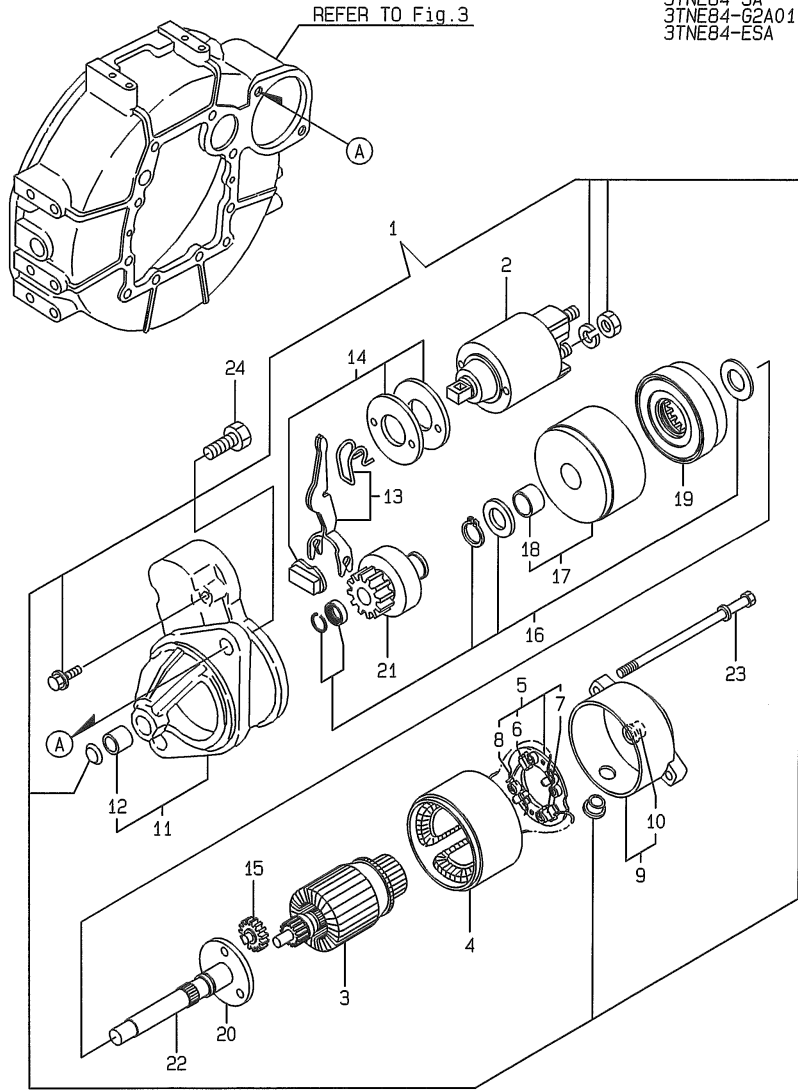
Fig.17. ENGINE CONTROL DEVICE

(A)=3TNE84-SA (D)=3TNE84-ESA
 (B)=3TNE84-G1A01 (E)=3TNE84CEG1A1
 (C)=3TNE84-G2A01 (F)=3TNE84CG1A01



REF.	LEV.	PARTS NO.	DESCRIPTION	QTY						I	R
				(A)	(B)	(C)	(D)	(E)	(F)		
1	1	119888-66120	LINK, GOVERNOR	1		1	1				
2	1	119888-66150	LINK, CONTROL		1				1	1	
3	1	26756-050002	LOCK NUT M 5 PLATED	3	3	3	3	3	3	3	
4	1	119888-66160	CONTROL DEVICE	1	1	1	1	1	1	1	
5	2	126650-66020	HANDLE, REGULATOR	1	1	1	1	1	1	1	
6	2	119888-66110	BRACKET	1	1	1	1	1	1	1	
7	2	119888-66130	PIVOT	1	1	1	1	1	1	1	
8	2	171048-67010	REGULATOR ASSY	1	1	1	1	1	1	1	
9	3	171102-66080	SPACER	1	1	1	1	1	1	1	
10	3	104200-66820	SPRING	1	1	1	1	1	1	1	
11	3	104200-66830	PLATE, FRICTION	2	2	2	2	2	2	2	
12	3	104200-66850	WASHER (B)	1	1	1	1	1	1	1	
13	3	104200-66860	NUT	1	1	1	1	1	1	1	
14	3	171085-67100	BRACKET, GEAR	1	1	1	1	1	1	1	
15	3	171085-67110	SHAFT, DRIVING	1	1	1	1	1	1	1	
16	3	171085-67120	GEAR	1	1	1	1	1	1	1	
17	3	171048-67130	LEVER	1	1	1	1	1	1	1	
18	3	171048-67140	STOPPER	1	1	1	1	1	1	1	
19	3	22351-020006	SPRING PIN 2X 6	1	1	1	1	1	1	1	
20	3	22411-200150	COTTER PIN 2.0X15	1	1	1	1	1	1	1	
21	3	26116-060082	BOLT 6X8	1	1	1	1	1	1	1	
22	3	26921-050122	SCREW M 5X 12	1	1	1	1	1	1	1	
23	2	170064-67210	LABEL, HANDLE	1	1	1	1	1	1	1	
24	2	22137-100000	WASHER 10,POLISHED	1	1	1	1	1	1	1	
25	2	22217-100000	SPRING WASHER 10	1	1	1	1	1	1	1	
26	2	22272-000050	CIRCLIP E- 5	1	1	1	1	1	1	1	
27	2	26106-060102	BOLT M 6X 10 PLATED	2	2	2	2	2	2	2	
28	2	26657-100002	CAP NUT M10	1	1	1	1	1	1	1	
29	2	22117-060000	WASHER 6	1	1	1	1	1	1	1	
30	1	26106-080162	BOLT M 8X 16 PLATED	2	2	2	2	2	2	2	

Fig.18. STARTING MOTOR(STANDARD)



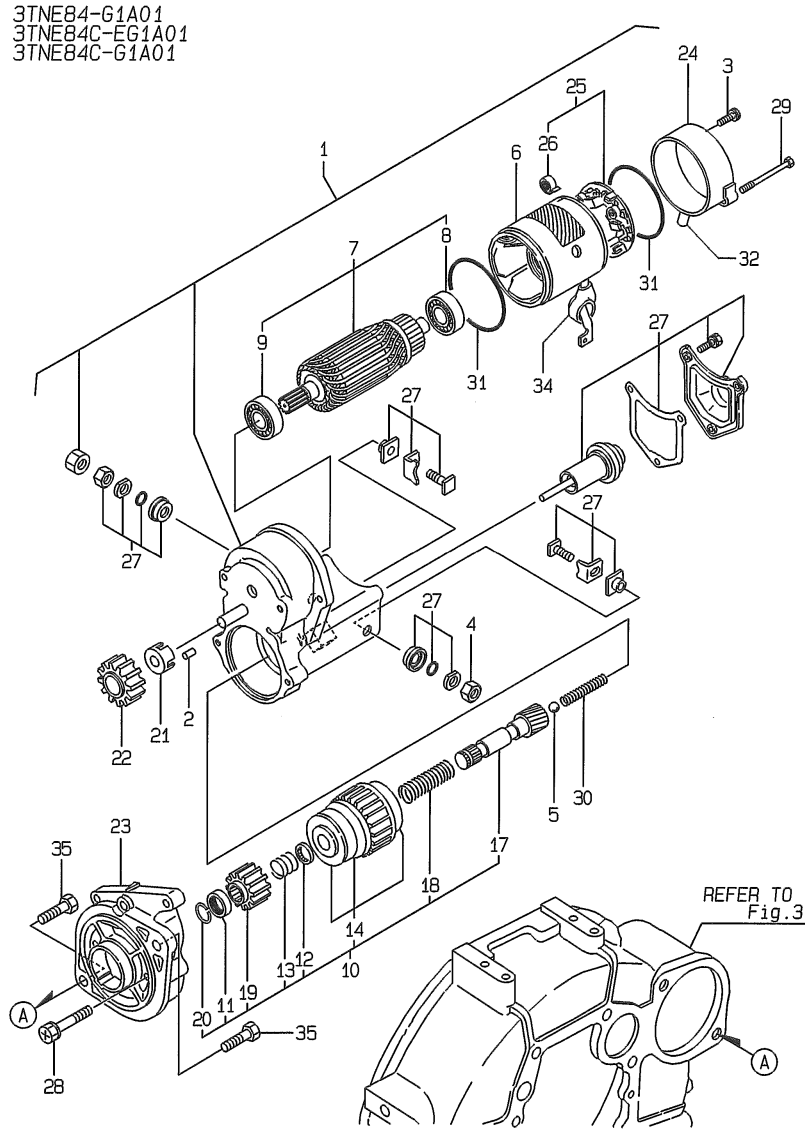
Y00R5230 18. STARTING MOTOR(STANDARD)

(A)=3TNE84-SA (D)=3TNE84-ESA
(B)=3TNE84-G1A01 (E)=3TNE84CEG1A1
(C)=3TNE84-G2A01 (F)=3TNE84CG1A01

REF.	LEV.	PARTS NO.	DESCRIPTION	QTY						I	R
				(A)	(B)	(C)	(D)	(E)	(F)		
1	1	129698-77010	STARTER	1		1	1				
2	2	129698-77020	MAGNETIC SWITCH ASSY	1		1	1				
3	2	129698-77100	ARMATURE ASSY	1		1	1				
3-1	2	129698-77101	ARMATURE ASSY	1		1	1				N
		(A=E60531)	(C=E61155) (D=E61087)								
4	2	129698-77110	COIL ASSY, FIELD	1		1	1				
5	2	129698-77120	HOLDER ASSY,BRUSH	1		1	1				
6	3	129698-77140	BRUSH(+) SET	1		1	1				
7	3	129698-77130	BRUSH (-)	2		2	2				
8	3	129698-77150	SPRING, BRUSH	4		4	4				
9	2	129698-77160	COVER ASSY, REAR	1		1	1				
9-1	2	129698-77161	COVER ASSY, REAR	1		1	1				R
		(A=E57298)	(C=E58641) (D=E59143)								
10	3	129698-77170	REAR COVER METAL	1		1	1				
11	2	129698-77260	HOUSING ASSY, GEARS	1		1	1				
12	3	X2114535200	METAL, STARTER	1		1	1				
13	2	129698-77270	LEVER, SHIFT	1		1	1				
14	2	129698-77280	COVER ASSY, DUST	1		1	1				
15	2	129698-77240	GEAR	3		3	3				
16	2	129698-77250	WASHER SET	1		1	1				
17	2	129698-77180	BRACKET	1		1	1				
18	3	129698-77190	BRACKET	1		1	1				
19	2	129698-77200	INTERNAL GEAR	1		1	1				
20	2	129698-77210	BRACKET	1		1	1				
21	2	129698-77220	PINION ASSY	1		1	1				
22	2	129698-77230	SHAFT(PINION	1		1	1				
23	2	124195-77770	THROUGH BOLT	2		2	2				
24	1	26116-120252	BOLT M12X 25 PLATED	2		2	2				

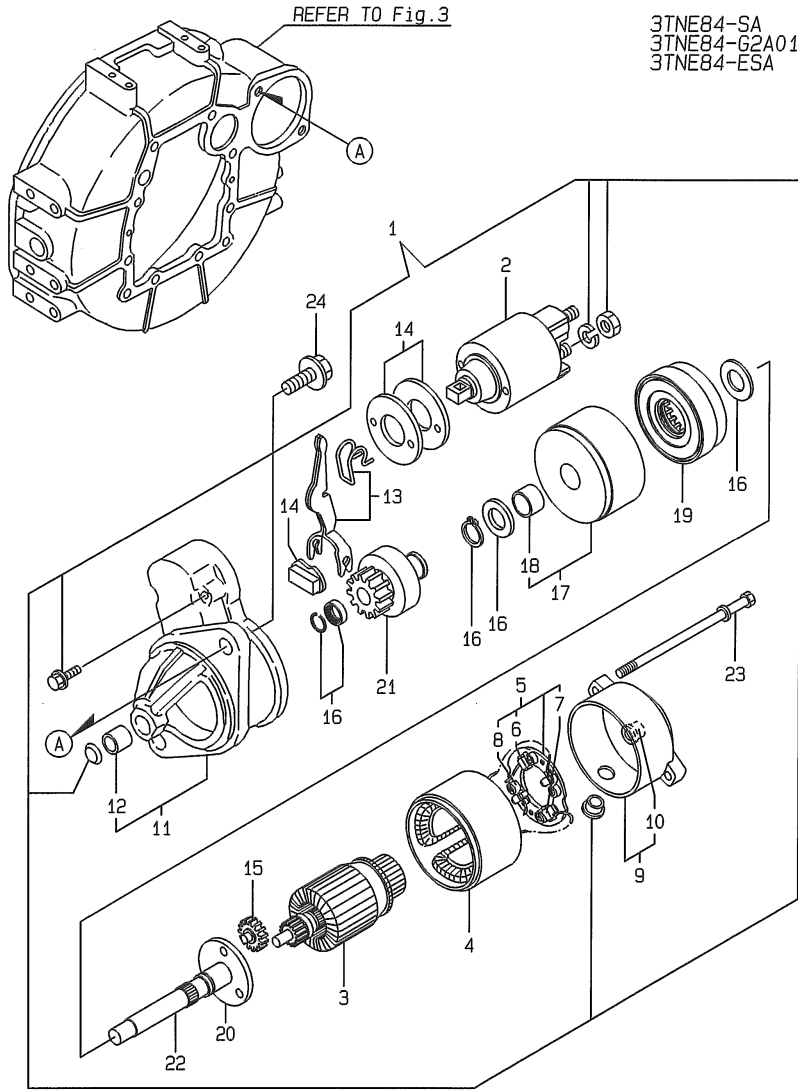
(A)=3TNE84-SA (D)=3TNE84-ESA
 (B)=3TNE84-G1A01 (E)=3TNE84CEG1A1
 (C)=3TNE84-G2A01 (F)=3TNE84CG1A01

Fig.19. STARTING MOTOR(STANDARD)



REF.	LEV.	PARTS NO.	DESCRIPTION	QTY					
				(A)	(B)	(C)	(D)	(E)	(F)
1	1	129129-77010	STARTER ASSY		1			1	1
2	2	X0283060061	ROLLER		5			5	5
3	2	129129-77460	SCREW		2			2	2
4	2	X9490561370	NUT		1			1	1
5	2	X9491200240	BALL		1			1	1
6	2	129129-77210	YOKE ASSY		1			1	1
7	2	129129-77220	ARMATURE ASSY		1			1	1
8	3	129129-77230	BEARING		1			1	1
9	3	129129-77240	BEARING		1			1	1
10	2	129129-77250	STARTER ASSY		1			1	1
11	3	X0280210230	NUT		1			1	1
12	3	X0283270140	RETAINER		1			1	1
13	3	X9491703371	SPRING, COIL		1			1	1
14	3	129129-77390	CLUTCH ASSY, STARTER		1			1	1
17	3	129129-77400	SHAFT		1			1	1
18	3	129129-77410	SPRING, COIL		1			1	1
19	3	129129-77420	PINION		1			1	1
20	3	129129-77430	RING		1			1	1
21	2	129129-77260	RETAINER		1			1	1
22	2	129129-77270	PINION		1			1	1
23	2	129129-77280	HOUSING		1			1	1
24	2	129129-77290	FRAME		1			1	1
25	2	129129-77300	HOLDER ASSY		1			1	1
26	3	X9491730461	SPRING		4			4	4
27	2	129129-77310	SWITCH ASSY		1			1	1
28	2	129129-77320	BOLT		2			2	2
29	2	129129-77330	BOLT		2			2	2
30	2	129129-77340	SPRING		1			1	1
31	2	129129-77350	O-RING		2			2	2
32	2	129129-77362	COVER		1			1	1
34	2	129129-77380	CAP		1			1	1
35	1	26116-120252	BOLT M12X 25 PLATED		2			2	2

Fig.20. STARTING MOTOR(COLD DISTRICT)

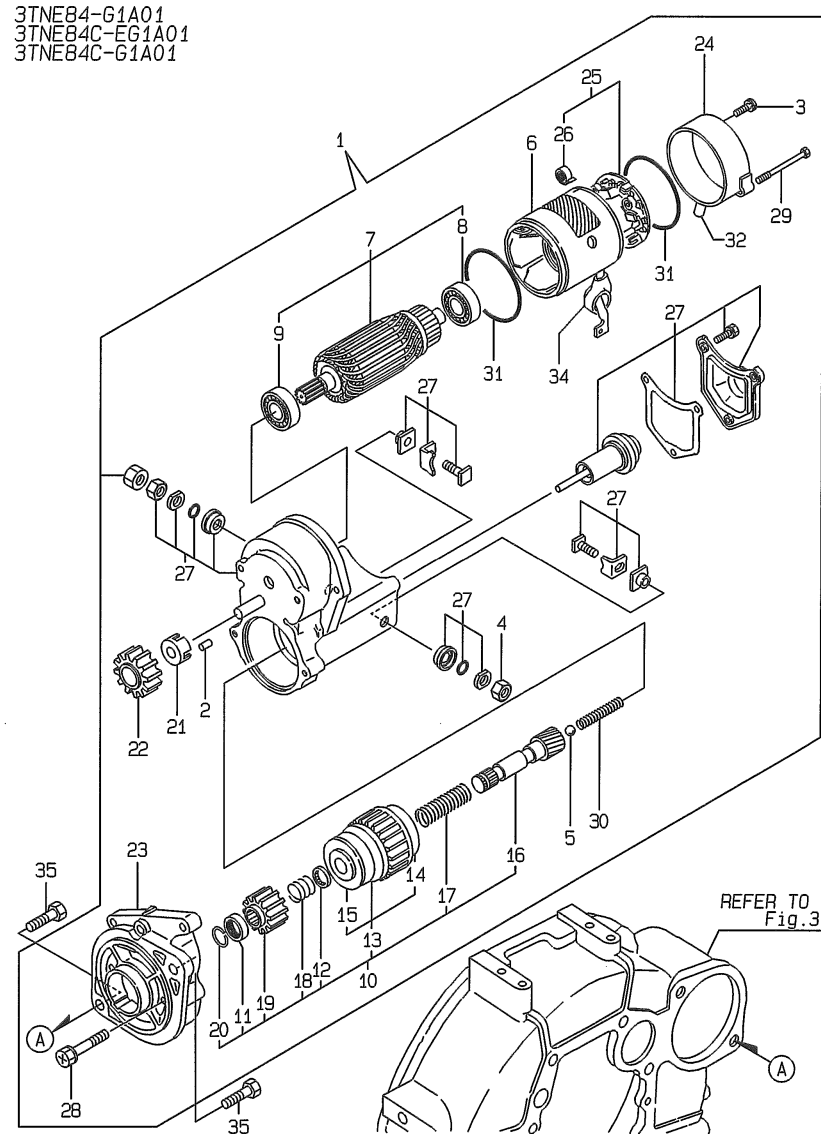


(A)=3TNE84-SA (D)=3TNE84-ESA
 (B)=3TNE84-G1A01 (E)=3TNE84CEG1A1
 (C)=3TNE84-G2A01 (F)=3TNE84CG1A01

REF.	LEV.	PARTS NO.	DESCRIPTION	QTY							
				(A)	(B)	(C)	(D)	(E)	(F)		
1	1	129608-77010	STARTNG MOTOR	1		1	1				
2	2	129698-77020	MAGNETIC SWITCH ASSY	1		1	1				
3	2	129698-77100	ARMATURE ASSY	1		1	1				
3-1	2	129698-77101	ARMATURE ASSY	1		1	1				N
		(A=E60531)	(C=E61155)	(D=E61087)							
4	2	129608-77110	YOKE ASSY	1		1	1				
5	2	129698-77120	HOLDER ASSY,BRUSH	1		1	1				
6	3	129698-77140	BRUSH(+) SET	1		1	1				
7	3	129698-77130	BRUSH (-)	2		2	2				
8	3	129698-77150	SPRING, BRUSH	4		4	4				
9	2	129698-77160	COVER ASSY, REAR	1		1	1				
9-1	2	129698-77161	COVER ASSY, REAR	1		1	1				R
		(A=E57298)	(C=E58641)	(D=E59143)							
10	3	129698-77170	REAR COVER METAL	1		1	1				
11	2	129698-77260	HOUSING ASSY, GEARS	1		1	1				
12	3	X2114535200	METAL, STARTER	1		1	1				
13	2	129698-77270	LEVER, SHIFT	1		1	1				
14	2	129698-77280	COVER ASSY, DUST	1		1	1				
15	2	129698-77240	GEAR	3		3	3				
16	2	129698-77250	WASHER SET	1		1	1				
17	2	129698-77180	BRACKET	1		1	1				
18	3	129698-77190	BRACKET	1		1	1				
19	2	129698-77200	INTERNAL GEAR	1		1	1				
20	2	129698-77210	BRACKET	1		1	1				
21	2	129698-77220	PINION ASSY	1		1	1				
22	2	129698-77230	SHAFT(PINION	1		1	1				
23	2	124195-77770	THROUGH BOLT	2		2	2				
24	1	26116-120252	BOLT M12X 25 PLATED	2		2	2				

(A)=3TNE84-SA (D)=3TNE84-ESA
 (B)=3TNE84-G1A01 (E)=3TNE84CEG1A1
 (C)=3TNE84-G2A01 (F)=3TNE84CG1A01

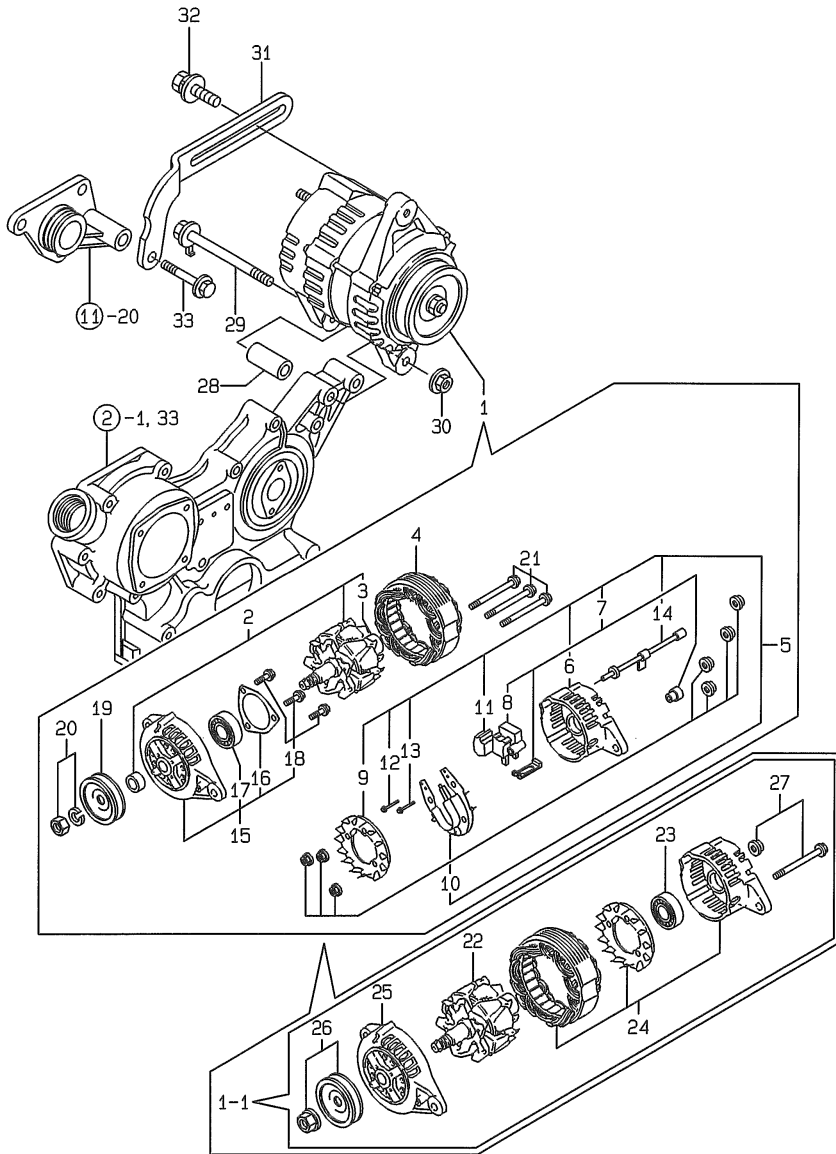
Fig.21. STARTING MOTOR(COLD DISTRICT)



REF.	LEV.	PARTS NO.	DESCRIPTION	QTY						I	R	
				(A)	(B)	(C)	(D)	(E)	(F)			
1	1	129407-77010	STARTER ASSY		1				1	1		
2	2	X0283060061	ROLLER		5				5	5		
3	2	129129-77460	SCREW		2				2	2		
4	2	X9490561370	NUT		1				1	1		
5	2	X9491200240	BALL		1				1	1		
6	2	129407-77210	YOKE		1				1	1		
7	2	129407-77220	ARMATURE ASSY		1				1	1		
8	3	129129-77230	BEARING		1				1	1		
9	3	129129-77240	BEARING		1				1	1		
10	2	129407-77250	STARTER KIT		1				1	1		
11	3	X0280210230	NUT		1				1	1		
12	3	X0283270140	RETAINER		1				1	1		
13	3	129407-77390	CLUTCH,STARTER		1				1	1		
14	4	129129-77440	BEARING		1				1	1		
15	4	129129-77450	BEARING		1				1	1		
16	3	129129-77400	SHAFT		1				1	1		
17	3	129129-77410	SPRING, COIL		1				1	1		
18	3	129407-77410	SPRING		1				1	1		
19	3	129129-77420	PINION		1				1	1		
20	3	129129-77430	RING		1				1	1		
21	2	129129-77260	RETAINER		1				1	1		
22	2	129129-77270	PINION		1				1	1		
23	2	129407-77280	HOUSING		1				1	1		
24	2	129129-77290	FRAME		1				1	1		
25	2	129407-77300	HOLDER ASSY		1				1	1		
26	3	X9491730461	SPRING		4				4	4		
27	2	129407-77310	SWITCH ASSY		1				1	1		
28	2	129129-77320	BOLT		2				2	2		
29	2	129407-77330	BOLT,W/WASHER		2				2	2		
30	2	129129-77340	SPRING		1				1	1		
31	2	129129-77350	O-RING		2				2	2		
32	2	129129-77362	COVER		1				1	1		
34	2	129129-77380	CAP		1				1	1		
35	1	26116-120252	BOLT M12X 25 PLATED		2				2	2		

Fig.22. GENERATOR

(A)=3TNE84-SA (D)=3TNE84-ESA
 (B)=3TNE84-G1A01 (E)=3TNE84CEG1A1
 (C)=3TNE84-G2A01 (F)=3TNE84CG1A01

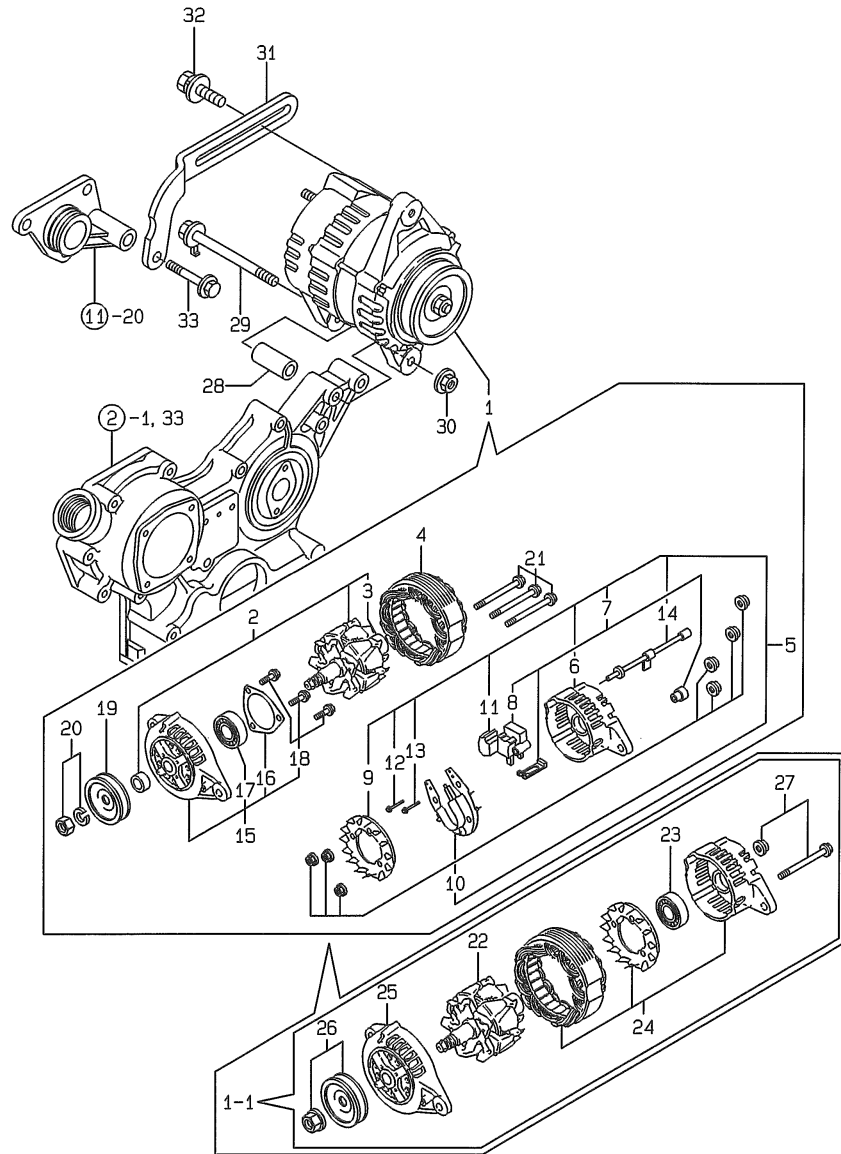


REF.	LEV.	PARTS NO.	DESCRIPTION	QTY						I	R
				(A)	(B)	(C)	(D)	(E)	(F)		
1	1	119836-77200	GENERATOR	1	1	1	1				
1-1	1	119836-77201	GENERATOR (AC)	1	1	1	1	1	1	1	R
		(A=E46072) (B=E46563) (C=E54297) (D=E53114)								(F=E46611)	
2	2	119836-77700	ROTOR ASSY	1	1	1	1			1	Z
		(A=E46072) (B=E46563) (C=E54297) (D=E53114)								(F=E46611)	
3	3	119836-77850	BALL BEARING	1	1	1	1			1	Z
		(A=E46072) (B=E46563) (C=E54297) (D=E53114)								(F=E46611)	
4	2	119836-77710	STATOR ASSY	1	1	1	1			1	Z
		(A=E46072) (B=E46563) (C=E54297) (D=E53114)								(F=E46611)	
5	2	119836-77721	COVER ASSY, REAR	1	1	1	1			1	Z
		(A=E46072) (B=E46563) (C=E54297) (D=E53114)								(F=E46611)	
6	3	119836-77730	COVER, REAR	1	1	1	1			1	Z
		(A=E46072) (B=E46563) (C=E54297) (D=E53114)								(F=E46611)	
7	3	119836-77741	BRUSH ASSY,REGULATOR	1	1	1	1			1	Z
		(A=E46072) (B=E46563) (C=E54297) (D=E53114)								(F=E46611)	
8	4	119836-77750	BRUSH ASSY	1	1	1	1			1	Z
		(A=E46072) (B=E46563) (C=E54297) (D=E53114)								(F=E46611)	
9	3	119836-77760	GUIDE, FAN SIDE	1	1	1	1			1	Z
		(A=E46072) (B=E46563) (C=E54297) (D=E53114)								(F=E46611)	
10	3	119836-77770	DIODE ASSY	1	1	1	1			1	Z
		(A=E46072) (B=E46563) (C=E54297) (D=E53114)								(F=E46611)	
11	3	119836-77780	CONDENSER	1	1	1	1			1	Z
		(A=E46072) (B=E46563) (C=E54297) (D=E53114)								(F=E46611)	
12	3	119836-77871	BOLT (1)	1	1	1	1			1	Z
		(A=E46072) (B=E46563) (C=E54297) (D=E53114)								(F=E46611)	
13	3	119836-77880	BOLT (2)	1	1	1	1			1	Z
		(A=E46072) (B=E46563) (C=E54297) (D=E53114)								(F=E46611)	
14	3	119836-77890	WIRE ASSY, LEAD	1	1	1	1			1	Z
		(A=E46072) (B=E46563) (C=E54297) (D=E53114)								(F=E46611)	
15	2	119836-77790	COVER ASSY, FRONT	1	1	1	1			1	Z
		(A=E46072) (B=E46563) (C=E54297) (D=E53114)								(F=E46611)	
16	3	119836-77800	RETAINER, BEARING	1	1	1	1			1	Z
		(A=E46072) (B=E46563) (C=E54297) (D=E53114)								(F=E46611)	
17	3	119836-77840	BALL BEARING	1	1	1	1			1	Z
		(A=E46072) (B=E46563) (C=E54297) (D=E53114)								(F=E46611)	
18	3	119836-77860	SCREW KID	1	1	1	1			1	Z
		(A=E46072) (B=E46563) (C=E54297) (D=E53114)								(F=E46611)	
19	2	119836-77810	PULLEY	1	1	1	1			1	Z
		(A=E46072) (B=E46563) (C=E54297) (D=E53114)								(F=E46611)	
20	2	119836-77820	NUT ASSY, PULLEY	1	1	1	1			1	Z
		(A=E46072) (B=E46563) (C=E54297) (D=E53114)								(F=E46611)	
21	2	119836-77830	BOLT, THROUGH	1	1	1	1			1	Z
		(A=E46072) (B=E46563) (C=E54297) (D=E53114)								(F=E46611)	
22	2	129612-77700	ROTOR ASSY	1	1	1	1			1	W
		(A=E46072) (B=E46563) (C=E54297) (D=E53114)								(F=E46611)	
23	2	129612-77710	BALL BEARING	1	1	1	1			1	W
		(A=E46072) (B=E46563) (C=E54297) (D=E53114)								(F=E46611)	
24	2	119836-77920	BRACKET ASSY, REAR	1	1	1	1			1	W
		(A=E46072) (B=E46563) (C=E54297) (D=E53114)								(F=E46611)	
25	2	129612-77730	FRONT BRACKET ASSY	1	1	1	1			1	W
		(A=E46072) (B=E46563) (C=E54297) (D=E53114)								(F=E46611)	
26	2	129612-77740	PULLEY	1	1	1	1			1	W
		(A=E46072) (B=E46563) (C=E54297) (D=E53114)								(F=E46611)	
27	2	129612-77750	SCREW KIT	1	1	1	1			1	W

++ CONTINUE ++

(A)=3TNE84-SA (D)=3TNE84-ESA
 (B)=3TNE84-G1A01 (E)=3TNE84CEG1A1
 (C)=3TNE84-G2A01 (F)=3TNE84CG1A01

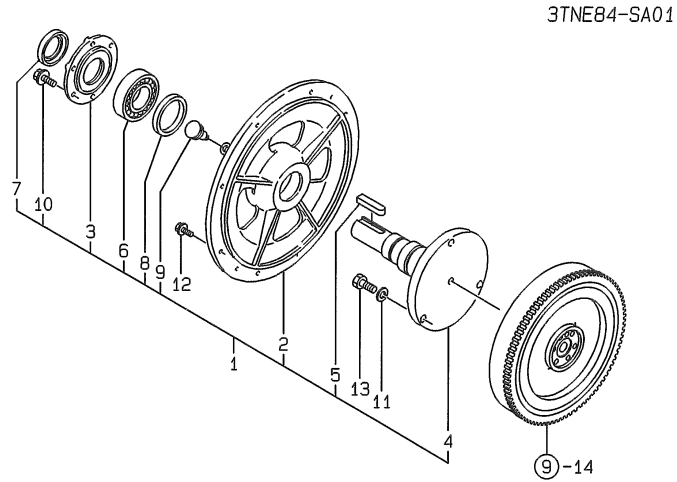
Fig.22. GENERATOR



REF.	LEV.	PARTS NO.	DESCRIPTION	QTY						I	R
				(A)	(B)	(C)	(D)	(E)	(F)		
		(A=E46072)	(B=E46563)	(C=E54297)	(D=E53114)				(F=E46611)		
28	1	119820-77340	SPACER	1	1	1	1	1	1	1	
29	1	129136-77251	BOLT M 8X110	1	1	1	1	1	1	1	
30	1	129612-77260	NUT ,GENERATOR	1	1	1	1	1	1	1	
31	1	129100-77330	ADJUSTER	1	1	1	1	1	1	1	
32	1	119810-77340	BOLT	1	1	1	1	1	1	1	
33	1	26106-080502	BOLT M 8X 50 PLATED	1	1	1	1	1	1	1	

Fig.23. OUTPUT SHAFT

(A)=3TNE84-SA (D)=3TNE84-ESA
 (B)=3TNE84-G1A01 (E)=3TNE84CEG1A1
 (C)=3TNE84-G2A01 (F)=3TNE84CG1A01

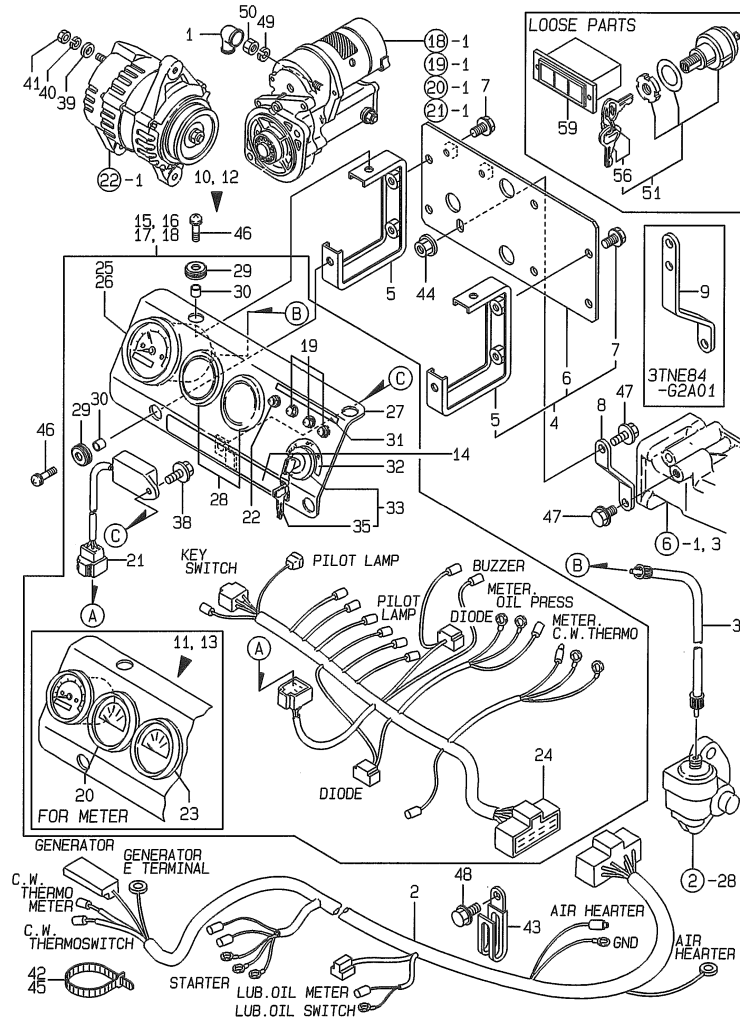


REF.	LEV.	PARTS NO.	DESCRIPTION	QTY						I	R
				(A)	(B)	(C)	(D)	(E)	(F)		
1	1	119888-89100	SHAFT	1							
2	2	119888-89110	HOUSING, BEARING	1							
3	2	171048-89120	CASE, OIL SEAL	1							
4	2	119888-89210	SHAFT, OUTPUT	1							
5	2	22512-100700	KEY 10X 70	1							
6	2	24151-222090	ROLLER BEARING	1							
7	2	24421-456209	SEAL TC 456209, OIL	1							
8	2	24421-557209	SEAL TC55 72 09, OIL	1							
9	2	24754-320020	CUP 32X1/4, GREASE	1							
10	2	26106-080202	BOLT M 8X 20 PLATED	6							
11	1	22217-120000	SPRING WASHER	3							
12	1	26106-100222	BOLT M10X 22 PLATED	8							
13	1	26206-120352	BOLT M12X35	3							

Remarks
 * FOR(SA01).

(A)=3TNE84-SA (D)=3TNE84-ESA
 (B)=3TNE84-G1A01 (E)=3TNE84CEG1A1
 (C)=3TNE84-G2A01 (F)=3TNE84CG1A01

Fig.24. PANEL

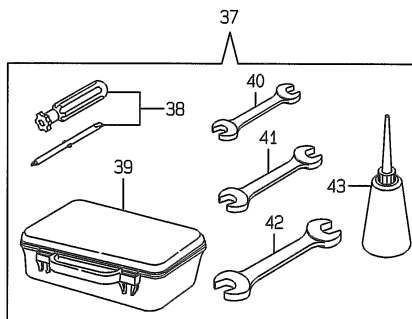
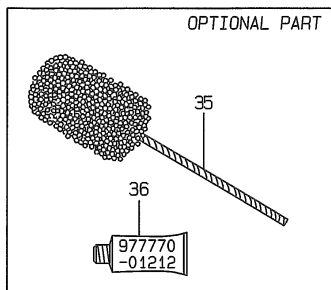
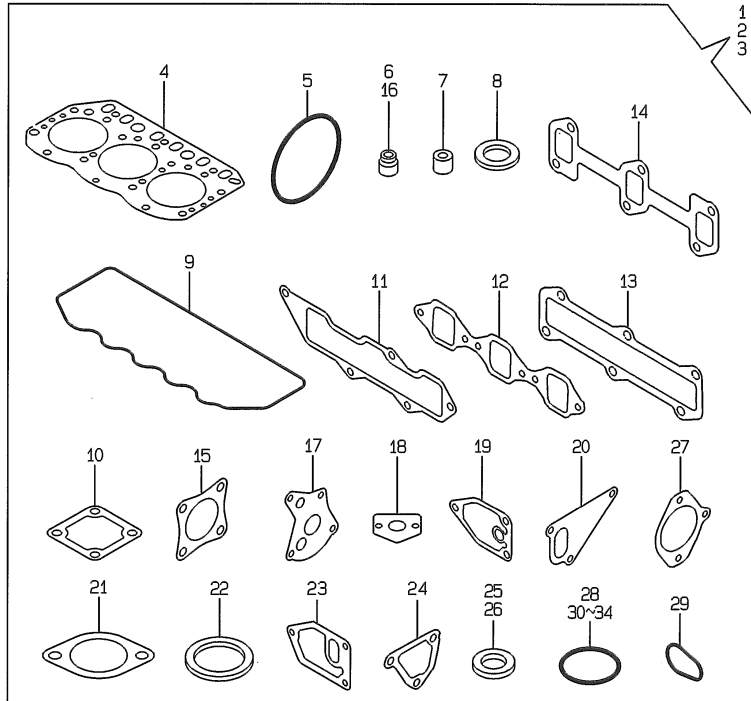


Remarks
 (1) WITH C.W.THERMOMETER(REF.NO.20,
 P/# 171010-77850) & PRESSURE
 GAUGE(REF.NO.23,P/# 171090-91010).
 (2) LOOSE PART.

REF.	LEV.	PARTS NO.	DESCRIPTION	QTY						I	R
				(A)	(B)	(C)	(D)	(E)	(F)		
1	1	124550-77030	COVER, TERMINAL	1	1	1	1	1	1		
2	1	119888-91022	HARNES(A), WIRE	1	1	1	1	1	1		
3	1	121400-91140	SHAFT, FLEXIBLE	1	1	1	1	1	1		
4	1	129608-91151	BRACKET ASSY, PANEL	1	1	1	1	1	1		
5	2	119888-91120	SUPPORT, PANEL	2	2	2	2	2	2		
6	2	129608-91132	BRACKET, PANEL	1	1	1	1	1	1		
7	2	26106-080122	BOLT M 8X 12 PLATED	4	4	4	4	4	4		
8	1	129608-91140	STAY, INSTRU. PANEL	1	1		1	1	1		
9	1	119822-91140	STAY, INSTRU. PANEL			1					
10	1	119888-91101	PANEL ASSY, INSTRUM	1		1	1				
11	1	119888-91201	PANEL ASSY, INSTRUM	1		1	1				1
12	1	119888-91301	PANEL ASSY, INSTRUM		1				1	1	
13	1	119888-91311	PANEL ASSY, INSTRUM		1				1	1	1
14	2	104507-07190	LABEL, YANMAR	1	1	1	1	1	1		
15	2	170121-91100	PANEL ASSY, INSTRUM.	1		1	1				
16	2	119888-91220	PANEL ASSY, INSTRUM.	1		1	1				1
17	2	119888-91320	PANEL ASSY, INSTRUM.		1				1	1	
18	2	119888-91330	PANEL, INSTRUMENT		1				1	1	1
19	3	124732-77720	LAMP, CHARGING	3	3	3	3	3	3		
20	3	171010-77850	THERMOMETER, C.W.	1	1	1	1	1	1		
21	3	128300-77920	TIMER	1	1	1	1	1	1		
22	3	124559-77971	LAMP, PILOT	1	1	1	1	1	1		
23	3	171090-91010	GAUGE, PRESSURE	1	1	1	1	1	1		
24	3	119888-91031	HARNES (B), WIRE	1	1	1	1	1	1		
25	3	171080-91100	TACHOMETER	1		1	1			1	1
26	3	171082-91100	TACHOMETER		1					1	1
27	3	119888-91110	BODY	1	1	1	1	1	1		
28	3	124770-91220	COVER 52	2	2	2	2	2	2		
29	3	121400-91520	ABSORBER	4	4	4	4	4	4		
30	3	121400-91530	SPACER	4	4	4	4	4	4		
31	3	119888-91610	LABEL, CW & OIL LAMP	1	1	1	1	1	1		
32	3	119888-91620	LABEL, KEY SWITCH	1	1	1	1	1	1		
33	3	933110-00100	SWITCH ASSY, STARTER	1	1	1	1	1	1		
35	4	933110-00301	KEY ASSY	1	1	1	1	1	1		
38	3	26106-060102	BOLT M 6X 10 PLATED	1	1	1	1	1	1		
39	1	22117-050000	WASHER 5	1	1	1	1	1	1		
40	1	22217-050000	SPRING WASHER 5	1	1	1	1	1	1		
41	1	26716-050002	NUT M 5	1	1	1	1	1	1		
42	1	121750-59890	CLAMP 140	1	1	1	1	1	1		
43	1	194180-51640	CLAMP, WIRE HARNES	1	1	1	1	1	1		
44	1	26366-080002	NUT M 8	1	1	1	1	1	1		
45	1	121750-59890	CLAMP 140	1	1	1	1	1	1		
46	1	26033-060202	SCREW M 6X 20	4	4	4	4	4	4		
47	1	26106-080162	BOLT M 8X 16 PLATED	2	2	2	2	2	2		
48	1	26106-100122	BOLT M10X 12 PLATED	1	1	1	1	1	1		
49	1	22217-080000	SPRING WASHER 8	1	1	1	1	1	1		
50	1	26756-080002	LOCK NUT M 8 PLATED	1	1	1	1	1	1		
51	1	194215-52110	SWITCH, STARTING			1					2
56	2	194155-52160	KEY			1					2
59	1	170038-91310	UNIT, LAMP (RED)			1					2

Fig.25. GASKET SET & TOOL(OPTIONAL)

(A)=3TNE84-SA (D)=3TNE84-ESA
 (B)=3TNE84-G1A01 (E)=3TNE84CEG1A1
 (C)=3TNE84-G2A01 (F)=3TNE84CG1A01



REF.	LEV.	PARTS NO.	DESCRIPTION	QTY						I	R
				(A)	(B)	(C)	(D)	(E)	(F)		
1	1	729211-92670	GASKET SET(NON-ASB.)	1			1				1
2	1	729211-92680	GASKET SET(NON-ASB.)		1			1	1		1
3	1	729211-92690	GASKET SET(NON-ASB.)			1					1
4	2	129002-01331	GASKET, CYL. HEAD	1	1	1	1	1	1		
5	2	121850-51960	O-RING, F.I.PUMP	1	1	1	1	1	1		
6	2	121400-11340	SEAL, VALVE STEM	3	3	3	3	3	3		
7	2	119625-11870	PROTECTOR, NOZZLE	3	3	3	3	3	3		
8	2	119625-11880	SEAT, NOZZLE	3	3	3	3	3	3		
9	2	129150-11310	GASKET, BONNET	1	1	1	1	1	1		
10	2	129150-77511	GASKET, (NON-ASB.)	1	1	1	1	1	1		
11	2	129001-12110	GASKET,INT. MANIFOLD	1	1		1	1	1		
12	2	129150-12111	GASKET, (NON-ASB.)			1					
13	2	129001-13110	GASKET, EXH.MANIFOLD	1	1		1	1	1		
14	2	129150-13110	GASKET, EXH.MANIFOLD	1		1	1				
15	2	121000-13201	GASKET, SILENCER	1	1	1	1			1	
15-1	2	124701-11911	GASKET, (NON-ASB.)	1	1	1	1	1	1	1	N
		(A=E51602)	(B=E51218)	(C=E54297)	(D=E53114)					(F=E46620)	
16	2	124460-11340	SEAL, VALVE STEM	3	3	3	3	3	3		
17	2	129150-32020	GASKET, L.O. PUMP	1	1	1	1	1	1		
18	2	129150-35041	GASKET, (NON-ASB.)	1	1	1	1	1	1		
19	2	129150-35111	GASKET, (NON-ASB.)	1	1	1	1	1	1		
20	2	129100-42020	GASKET, C.W. PUMP	1	1	1	1	1	1		
20-1	2	129486-42021	GASKET	1	1	1	1	1	1	1	N
		(A=E46072)	(B=E45726)	(C=E45535)	(D=E53114)					(F=E46611)	
21	2	129795-49551	GASKET, (NON-ASB.)	1	1	1	1	1	1		
22	2	129150-49811	GASKET, (NON-ASB.)	1	1	1	1	1	1		
23	2	129120-35121	GASKET, (NON-ASB.)			1					
24	2	129100-49840	GASKET, THERMO. CASE	1	1	1	1	1	1		
24-1	2	124395-49840	GASKET, THERMO. CASE	1	1	1	1	1	1	1	N
		(A=E54360)	(B=E54118)	(C=E54297)	(D=E56252)					(F=E46620)	
25	2	129150-49360	GASKET 10	1	1	1	1	1	1		
26	2	124465-44950	GASKET 16	2	2	2	2	2	2		
27	2	171353-26081	GASKET,HO-P BRACKET	1		1					
28	2	24321-000300	O-RING G30	1	1	1	1			1	
28-1	2	129486-42140	O-RING,CW-P	1	1	1	1	1	1	1	N
		(A=E47690)	(B=E47597)	(C=E54297)	(D=E53114)					(F=E46620)	
29	2	129120-35110	GASKET 80			1					
30	2	24311-000120	O-RING 1A P 12.0	3	3	3	3	3	3		
31	2	24311-000160	O-RING 1A P-16.0	3	3	3	3	3	3		
32	2	24311-000320	O-RING 1A P-32.0	2	2	2	2	2	2		
33	2	24341-000240	O-RING 1A S-24.0	1	1	1	1	1	1		
34	2	24341-000500	O-RING 1A S-50.0	1	1	1	1	1	1		
35	1	129400-92430	HORN, FLEX	1	1	1	1	1	1	1	1
36	1	977770-01212	GASKET, LIQUID	1	1	1	1	1	1	1	1
37	1	721400-92102	TOOL ASSY	1	1	1	1	1	1	1	1
38	2	104200-92350	DRIVER, SCREW	1	1	1	1	1	1	1	1
39	2	104200-92600	TOOL BOX	1	1	1	1	1	1	1	1
40	2	28110-100120	WRENCH 10X12	1	1	1	1	1	1	1	1
41	2	28110-140170	WRENCH 14X17	1	1	1	1	1	1	1	1
42	2	28110-190220	WRENCH 19X22	1	1	1	1	1	1	1	1
43	2	28210-000140	FEEDER, OIL	1	1	1	1	1	1	1	1

Remarks
 (1) OPTIONAL PART.