



PARTS CATALOG

Published

2011/1 (Jan.)

0CD10-G81501

PREFACE

1. This parts catalog is the 2nd edition of 3TNV88-NHB & 3TNV88-NHBB for Hitachi Construction Machinery Co.,Ltd.

Pub.No. : 000Y00D8151

Published : Sep.,2004

2. Model name

Engine model	Vehicle		Vehicle made by
	Products	Model name	
3TNV88-NHB	Mini Excavator	ZX30U-2 ZX35U-2	Hitachi Construction Machinery Co.,Ltd
3TNV88-NHBB		ZX30U-2 ZX35U-2 (Air-Con spec)	

Directions for the Parts Catalog.

- The parts stipulated in this Parts Catalog are not necessarily standard equipped parts.
- Parts may change without prior notice.
- The following is an example of the Parts Catalog format.

OCF10-G21601 29. FUEL INJECTION PUMP(W/BOOST)

REF.	LEV.	PARTS NO.	DESCRIPTION	Q'TY						I	R
				(A)	(B)	(C)	(D)	(E)	(F)		
1	1	729595-51390	FUEL INJECTION PUMP	1	1	1	1	1			1
1-1	1	729595-51391	FUEL INJECTION PUMP	1	1	1	1	1		N	1
		(A=E00185) (B=E00200)									
3	2	26022-060162	SCREW M 6X 16	9	9	9	9	9			
3-1	2	26022-060162	SCREW M 6X 16	4	4	4	4	4		K	
		(A=E00156) (B=E00156) (C=E00156) (D=E00156) (E=E00156)									
4	2	129470-51040	CAMSHAFT	1	1	1	1	1			
5	2	122710-51050	BEARING, ROLLER	2	2	2	2	2			
6	2	129470-51060	RETAINER	1	1	1	1	1			

Remarks

(1) BOOST COMPEMSATOR TYPE. OPTIONAL PART, TO E00155,(4JH-DT, 4JH-DTZ

① Ref. No.

The Ref. No. listed may not be in accordance with the illustration Ref. No.

(Ex.) Illustration No.

List Ref No.

1 1 (Before change) → 1-1 (After change)

For interchangeable symbols N, R and K, illustrations for new parts may be abbreviated.

② Lev. (Level)

Level indication

The numbers below indicate the level of relativity towards the main part.

1 ----- Main parts (Assembly parts)

2 ----- Sub component included in " 1 ".

3 ----- Sub component included in " 2 ".

Note) Parts that are not for sale are partially illustrated but not listed.

③ Interchangeability Mark

When a part change takes place, one of the following interchangeability symbols is indicated beside the part.

Symbol	Interchangeability	Contents note
N	Old $\begin{matrix} \leftarrow \text{Yes} \\ \text{No} \rightarrow \end{matrix}$ New	New Part is interchangeable for Old Part but Old Part is not interchangeable for New Part.
Q	Old $\begin{matrix} \leftarrow \text{No} \\ \text{Yes} \rightarrow \end{matrix}$ New	New Part is not interchangeable for Old Part but Old Part is interchangeable for New Part.
R	Old $\begin{matrix} \leftarrow \text{Yes} \\ \text{Yes} \rightarrow \end{matrix}$ New	New/ Old Parts are both interchangeable.
S	Old $\begin{matrix} \leftarrow \text{No} \\ \text{No} \rightarrow \end{matrix}$ New	New/ Old Parts are both not interchangeable.
W		Part newly added.
Z		Part discontinued.
F		Not interchangeable by a single part but interchangeable together with related parts.
K		Changes only for used parts quantities.

④ Effective Machine No.

When a part changes, the effective Machine No. will be indicated in the (A)-(F) column.

Product Symbol	Product No.	Product Symbol	Product No.
C	Clutch No. Compressor No.	F	Machine No. (Agricultural Equip.)
D	Drive No.	M	Machine No.
E	Engine No.		

Note 1) A date may follow the symbol. (Ex.) 1996.01

Note 2) "XXXXX" and "ZZZZZ" are for parts that could not be predicted or for engine models that could not be identified.

Note 3) (A=E00185) is the E (Engine Serial Number) for the column (A) model (in this case 4JH-DT) after the parts design change.

⑤ Remarks Mark

Figures or alphabets (symbols) are entered in the remarks column.

The comments (remarks) on parts that are indicated at the bottom of the illustration are the same symbols as those stated above.

CONTENTS

MODEL : 3TNV88-NHB,NHBB

PC NO : 0CD10-G81501

Fig.No. GROUP NAME

ENGINE SECTION

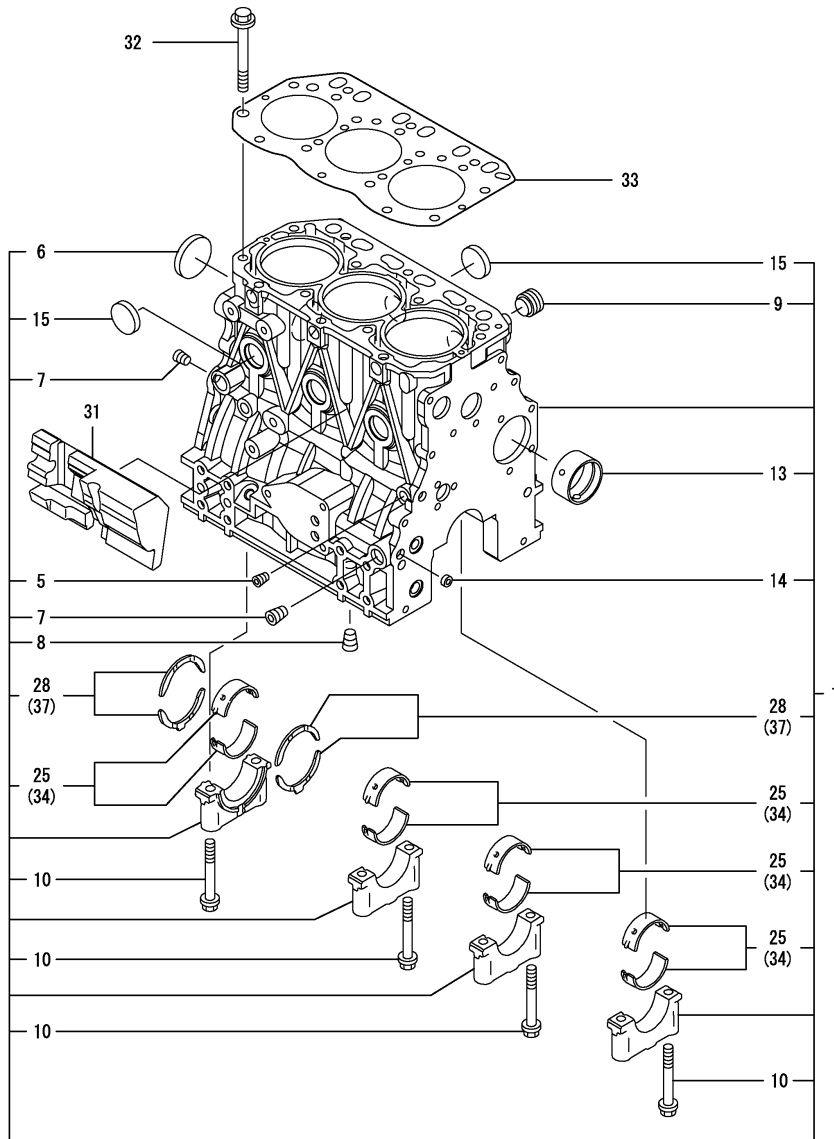
1. CYLINDER BLOCK
2. GEAR HOUSING
3. FLYWHEEL HOUSING & OIL SUMP
4. CYLINDER HEAD & BONNET
5. SUCTION MANIFOLD
6. EXHAUST MANIFOLD
7. CAMSHAFT & DRIVING GEAR
8. CRANKSHAFT & PISTON
9. LUB.OIL SYSTEM
10. COOLING WATER SYSTEM
11. FUEL INJECTION PUMP
12. FUEL INJECTION VALVE
13. FUEL LINE
14. STARTING MOTOR
15. GENERATOR
16. GASKET SET
17. FUEL INJECTION PUMP(INNER PART
18. GOVERNOR (INNER PARTS)
19. SHORT BLOCK

Fig.No. GROUP NAME

Fig.1. CYLINDER BLOCK

(A)=3TNV88-NHB
 (B)=3TNV88-NHBB
 (C)=

(D)=
 (E)=
 (F)=

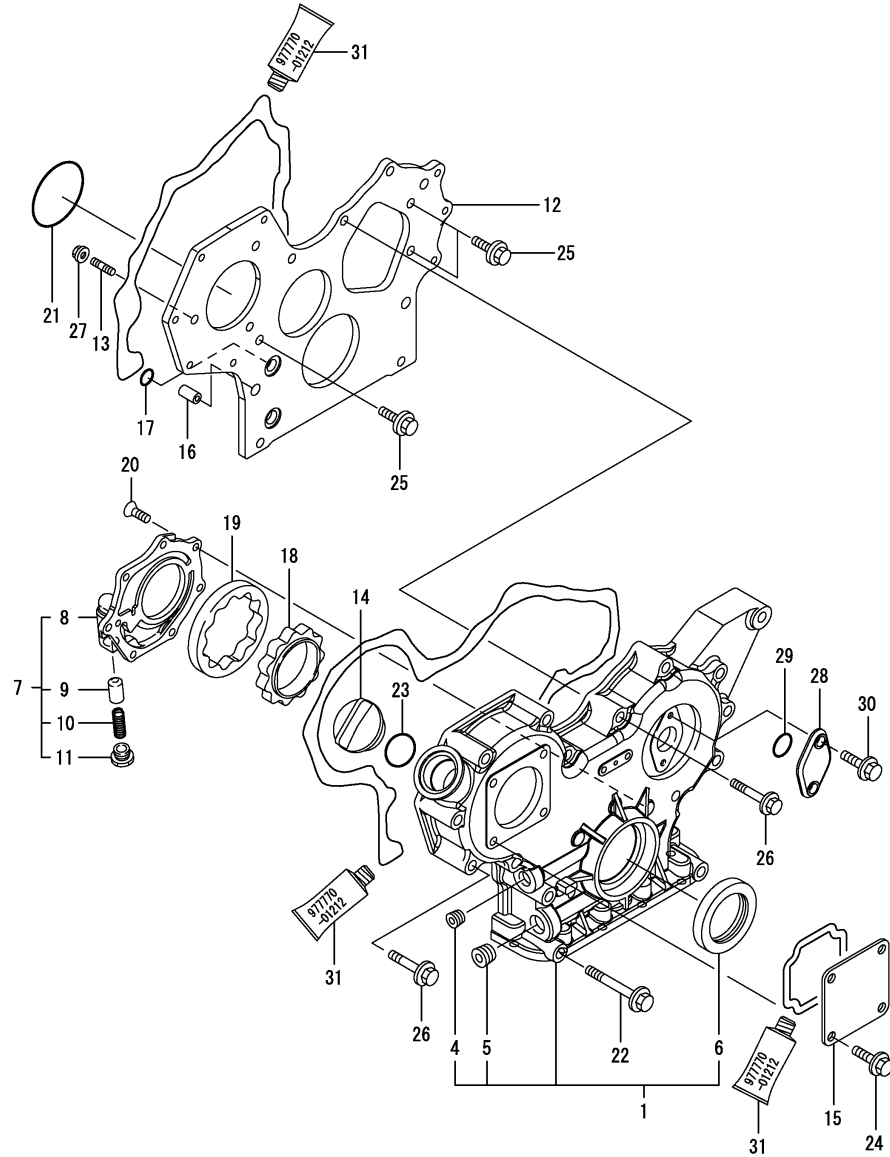


REF.	LEV.	PARTS NO.	DESCRIPTION	QTY						I	R	
				(A)	(B)	(C)	(D)	(E)	(F)			
I	1	1	729005-01560	BLOCK ASSY, CYLINDER	1	1						
	5	2	124060-01050	PLUG PT1/8	1	1						
	6	2	129001-01250	PLUG 50	1	1						
	7	2	124160-01910	PLUG PT1/4	2	2						
	8	2	124160-01910	PLUG PT1/4	1	1						
	9	2	171051-01921	PLUG	1	1						
	10	2	129150-02020	BOLT, METAL CAP	8	8						
	13	2	129795-02411	BUSH, CAMSHAFT	1	1						
	14	2	27241-120000	PLUG 12	2	2						
	15	2	27241-300000	PLUG 30	6	6						
	25	2	129001-02930	MAIN BEARING SET	4	4						3
	28	2	129150-02930	METAL, THRUST	2	2						
	31	1	129004-01190	SPACER	1	1						
	32	1	129150-01200	STUD, CYL. HEAD	14	14						
	33	1	129001-01340	GASKET, (NON-ASB.)	1	1						
	34	1	129150-02870	MAIN METAL US=0.25	4	4						1
	37	1	129150-02940	METAL, THRUST.25(4PIE	1	1						2

Remarks

- (1) UNDER-SIZE(U.S=0.25)PART.
- (2) OVER-SIZE(O.S=0.25)PART.
- (3) REPAIR PART.

Fig.2. GEAR HOUSING



OCD10-G81501 2. GEAR HOUSING

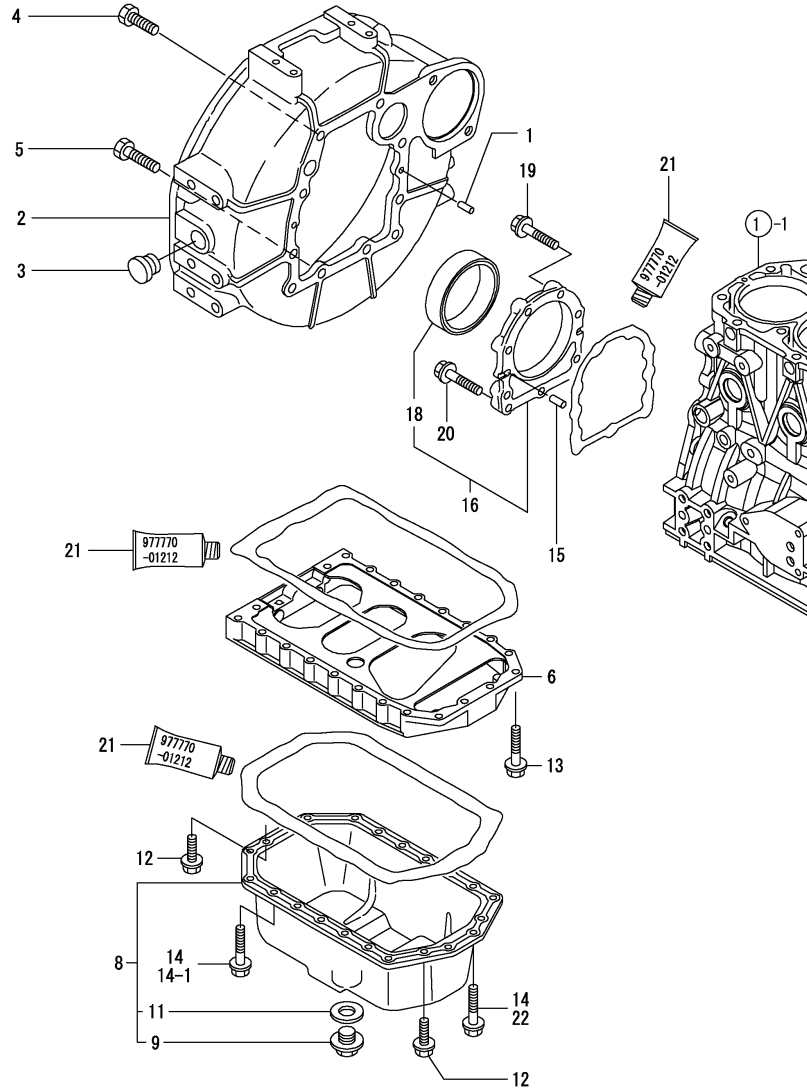
(A)=3TNV88-NHB
(B)=3TNV88-NHBB
(C)=

(D)=
(E)=
(F)=

REF.	LEV.	PARTS NO.	DESCRIPTION	Q'TY						I	R
				(A)	(B)	(C)	(D)	(E)	(F)		
1	1	719802-01500	HOUSING ASSY, GEAR	1	1						
4	2	23876-030000	PLUG PT3/8,SCREW	1	1						
5	2	23876-040000	PLUG PT 1/2	1	1						
6	2	129795-01800	SEAL, OIL	1	1						
7	1	119802-32100	COVER ASSY, PUMP	1	1						
8	2	119802-32070	COVER, LUB.OIL PUMP	1	1						
9	2	129900-32130	VALVE, RELIEF	1	1						
10	2	129418-32320	SPRING	1	1						
11	2	129001-32330	PLUG	1	1						
12	1	119802-01520	FRANGE, GEAR CASE	1	1						
13	1	119802-01560	STUD, M8X25	3	3						
14	1	124160-01751	COVER,FILLER	1	1						
15	1	124240-01871	COVER, HO-P	1	1						
16	1	129795-01950	PIPE, KNOCK L=18	2	2						
17	1	119609-32040	O-RING P16	4	4						
18	1	119802-32111	ROTOR, INNER	1	1						
19	1	119802-32120	ROTOR, OUTER	1	1						
20	1	119802-32130	SCREW, M6X16	7	7						
21	1	121850-51960	O-RING, F.I.PUMP	1	1						
22	1	129001-91841	BOLT M 8X 85 PLATED	3	3						
23	1	24311-000320	O-RING 1A P-32.0	1	1						
24	1	26106-080162	BOLT M 8X 16 PLATED	4	4						
25	1	26106-080162	BOLT M 8X 16 PLATED	3	3						
26	1	26106-080552	BOLT M 8X 55 PLATED	12	12						
27	1	26306-080002	NUT	3	3						
28	1	121023-01550	COVER, BLIND	1	1						
29	1	24341-000240	O-RING 1A S-24.0	1	1						
30	1	26106-060162	BOLT M 6X 16 PLATED	2	2						
31	1	977770-01212	GASKET, LIQUID	1	1						1

Remarks
(1) OPTIONAL PART.

Fig.3. FLYWHEEL HOUSING & OIL SUMP



OCD10-G81501 3. FLYWHEEL HOUSING & OIL SUMP

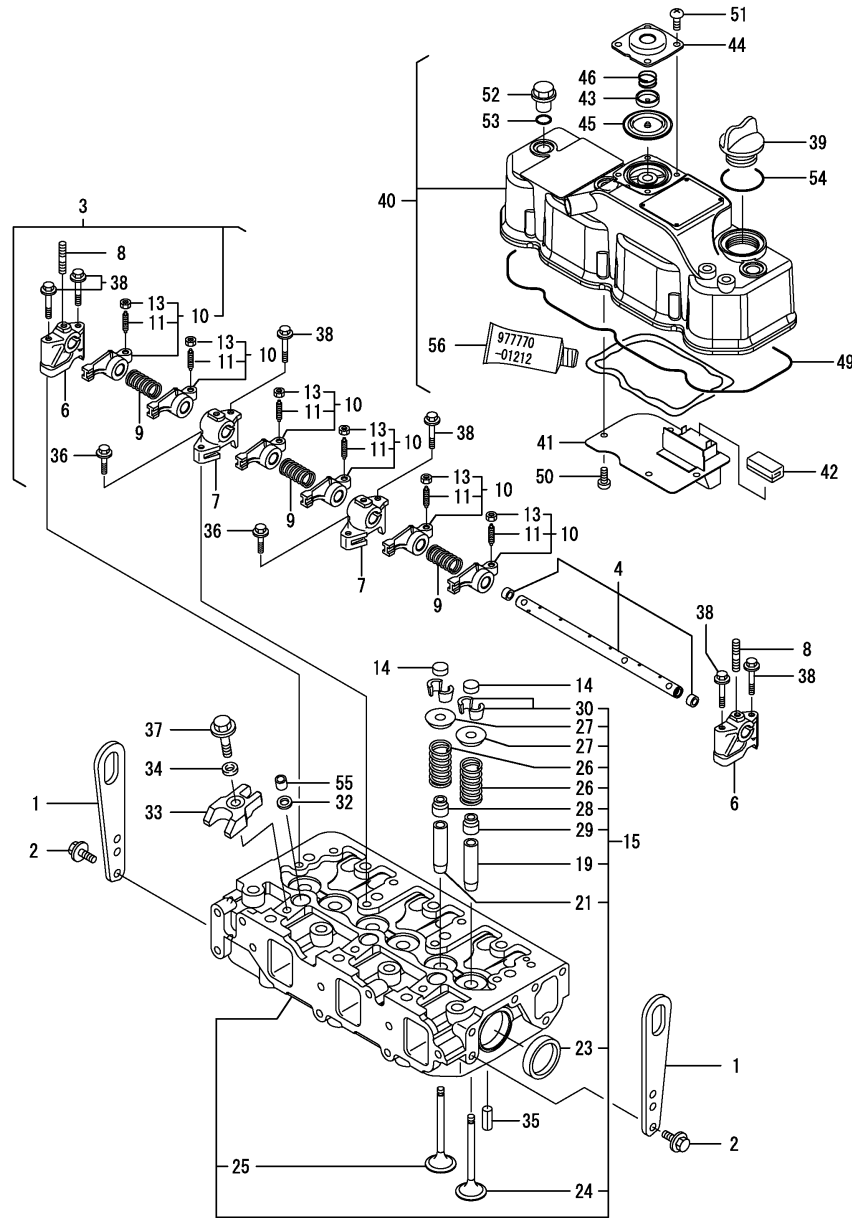
(A)=3TNV88-NHB
(B)=3TNV88-NHBB
(C)=

(D)=
(E)=
(F)=

REF.	LEV.	PARTS NO.	DESCRIPTION	Q'TY						I	R
				(A)	(B)	(C)	(D)	(E)	(F)		
1	1	129100-01580	PARALLEL PIN 8X16	2	2						
2	1	129612-01600	HOUSING,FLYWHEEL	1	1						
3	1	119620-01750	CAP, FLYWHEEL COVER	1	1						
4	1	26206-100252	BOLT M10X25	6	6						
5	1	26206-100302	BOLT M10X30	4	4						
6	1	129100-01730	SPACER, OIL SUMP	1	1						
8	1	129136-01780	SUMP ASSY, LUB.OIL	1	1						
9	2	119640-01640	DRAIN PLUG M22	1	1						
11	2	22190-220002	SEAL WASHER 22S	1	1						
12	1	26106-080162	BOLT M 8X 16 PLATED	4	4						
13	1	26106-080252	BOLT M 8X 25 PLATED	2	2						
14	1	26106-080452	BOLT M 8X 45 PLATED	20	20						
14-1	1	26106-080452	BOLT M 8X 45 PLATED	16	16						K
(A=FROM 1ST) (B=FROM 1ST)											
15	1	129100-01580	PARALLEL PIN 8X16	2	2						
16	1	129100-01640	CASE ASSY, OIL SEAL	1	1						
18	2	129795-01780	SEAL, OIL	1	1						
19	1	129486-01670	BOLT M8X30,COLLAR HD	6	6						
20	1	26106-080352	BOLT M 8X 35 PLATED	3	3						
21	1	977770-01212	GASKET, LIQUID	1	1						1
22	1	26106-080502	BOLT M 8X 50 PLATED	4	4						W
(A=FROM 1ST) (B=FROM 1ST)											

Remarks
(1) OPTIONAL PART.

Fig.4. CYLINDER HEAD & BONNET



Remarks
 (1) REPAIR PART.
 (2) OPTIONAL PART.

(A)=3TNV88-NHB
 (B)=3TNV88-NHBB
 (C)=

(D)=
 (E)=
 (F)=

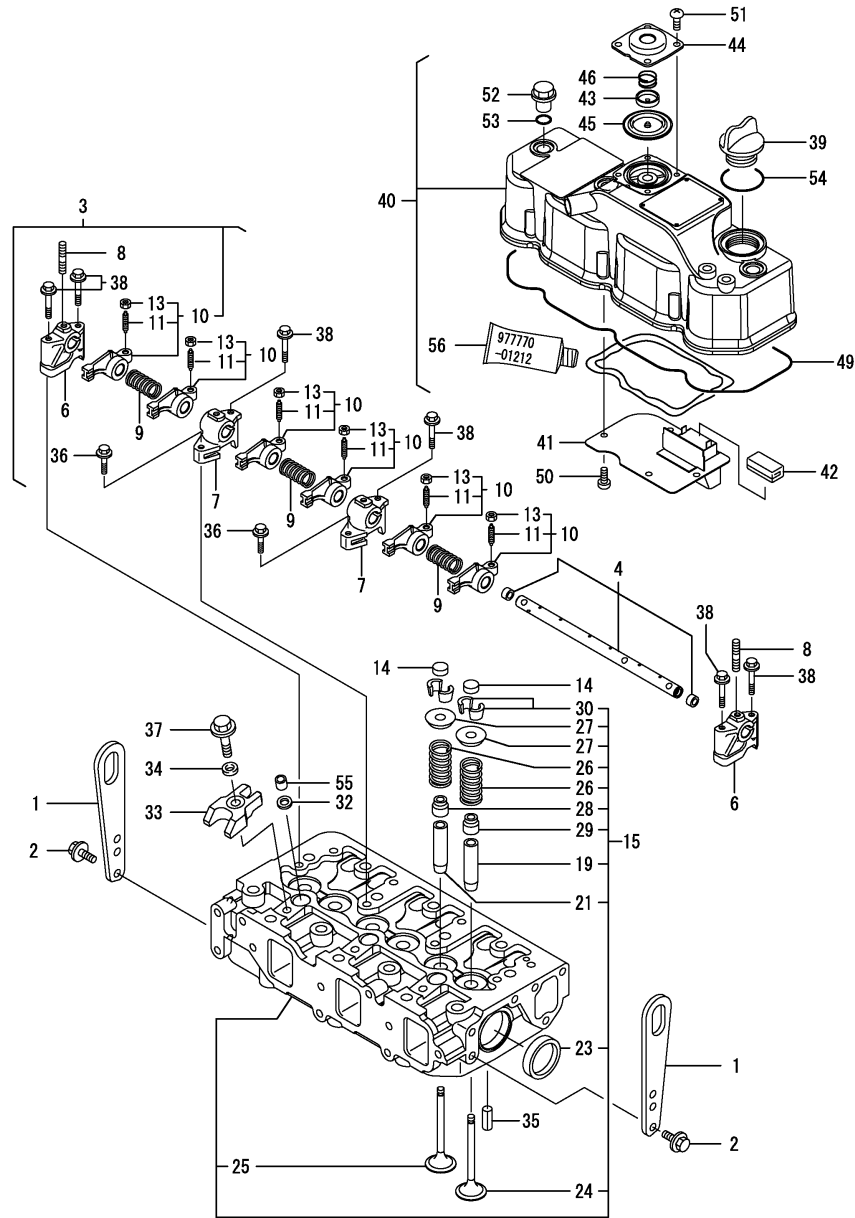
REF.	LEV.	PARTS NO.	DESCRIPTION	Q'TY						I	R
				(A)	(B)	(C)	(D)	(E)	(F)		
1	1	129900-07900	LIFTER, ENGINE	2	2						
2	1	26106-080142	BOLT 8X 14 PLATED	4	4						
3	1	129004-11241	SHAFT ASSY, ROCKER	1	1						
4	2	129004-11251	SHAFT, ROCKER ARM	1	1						
6	2	119802-11260	SUPPORT, ROCKER ARM	2	2						
7	2	119802-11270	SUPPORT, ROCKER ARM	2	2						
8	2	119802-11280	STUD	3	3						
9	2	129150-11280	SPRING	3	3						
10	2	129004-11650	ARM ASSY, ROCKER	6	6						
11	3	129150-11230	SCREW, VALVE	6	6						
13	3	129150-11750	NUT M8XP1.0	6	6						
14	1	129150-11370	CAP, VALVE	6	6						
15	1	129004-11700	HEAD ASSY, CYLINDER	1	1						
19	2	120130-11860	GUIDE, VALVE	3	3						1
21	2	129150-11810	GUIDE, VALVE	3	3						1
23	2	27241-400000	PLUG 40	2	2						
24	2	129004-11100	VALVE, INTAKE	3							
24-1	2	129004-11101	VALVE, INTAKE	3	3						R
(A=EXXX)											
25	2	129100-11110	VALVE, EXHAUST	3							
25-1	2	129100-11111	VALVE, EXHAUST	3	3						R
(A=EXXX)											
26	2	129795-11120	SPRING, VALVE	6	6						
27	2	129795-11180	RETAINER, SPRING	6	6						
28	2	121400-11340	SEAL, VALVE STEM	3	3						
29	2	124460-11340	SEAL, VALVE STEM	3	3						
30	2	27310-080001	COTTER 8	6	6						
32	1	119625-11880	SEAT, NOZZLE	3	3						
33	1	129004-11900	RETAINER, NOZZLE	3	3						
34	1	120270-54410	WASHER	3	3						
35	1	22351-060012	SPRING PIN 6X12	2	2						
36	1	26106-080252	BOLT M 8X 25 PLATED	2	2						
37	1	26106-080352	BOLT M 8X 35 PLATED	3	3						
38	1	26106-080502	BOLT M 8X 50 PLATED	6	6						
39	1	124160-01751	COVER,FILLER	1	1						
40	1	129004-11350	BONNET ASSY, HEAD	1	1						
41	2	129004-03010	PLATE, BAFFLE	1	1						
42	2	129150-03070	BAFFLE, BREATHER	1	1						
43	2	119802-03110	PLATE, DIAPHRAGM	1	1						
44	2	119802-03120	COVER, DIAPHRAGM	1							
44-1	2	119802-03121	COVER, DIAPHRAGM	1	1						N
(A=E04259)											
45	2	119802-03130	DIAPHRAGM	1	1						
46	2	119802-03140	SPRING, DIAPHRAGM	1							
46-1	2	119802-03141	SPRING, DIAPHRAGM	1	1						R
(A=E04259)											
49	2	129004-11310	GASKET, BONNET	1	1						
50	2	22857-500100	SCREW 5X10,TAPPING	4	4						
51	2	22857-500100	SCREW 5X10,TAPPING	4	4						
52	1	124160-11360	KNOB	3	3						
53	1	24311-000120	O-RING 1A P 12.0	3	3						

N:Old $\frac{Yes}{No}$ New, Q:Old $\frac{No}{Yes}$ New, R:Old $\frac{Yes}{Yes}$ New, S:Old $\frac{No}{No}$ New, W:Add, Z:Discontinued, F:Interchangeable by set, K:Q'ty Change

++ CONTINUE ++

(C)Copy Rights YANMAR CO.,LTD.

Fig.4. CYLINDER HEAD & BONNET



Remarks
 (1) REPAIR PART.
 (2) OPTIONAL PART.

OCD10-G81501 4. CYLINDER HEAD & BONNET

(A)=3TNV88-NHB
 (B)=3TNV88-NHBB
 (C)=

(D)=
 (E)=
 (F)=

REF.	LEV.	PARTS NO.	DESCRIPTION	Q'TY						I	R
				(A)	(B)	(C)	(D)	(E)	(F)		
54	1	24311-000320	O-RING 1A P-32.0	1	1						
55	1	119802-11870	PROTECTOR, NOZZLE	3	3						
56	1	97770-01212	GASKET, LIQUID	1	1						2

Fig.5. SUCTION MANIFOLD

(A)=3TNV88-NHB
 (B)=3TNV88-NHBB
 (C)=

(D)=
 (E)=
 (F)=

REF.	LEV.	PARTS NO.	DESCRIPTION	Q'TY						I	R
				(A)	(B)	(C)	(D)	(E)	(F)		
1	1	129004-03080	PIPE, BREATHER	1	1						
2	2	129410-03990	CLAMP 22	2	2						
3	1	129004-12100	MANIFOLD, INTAKE	1	1						
5	1	129001-12110	GASKET,INT. MANIFOLD	1	1						
6	1	26106-080202	BOLT M 8X 20 PLATED	4	4						
7	1	26106-080802	BOLT M 8X 80 PLATED	1	1						
8	1	129100-77500	HEATER, AIR	1	1						
9	1	129100-77510	GASKET, AIR HEATER	1	1						
10	1	129150-77511	GASKET, (NON-ASB.)	1	1						
11	1	171340-77520	BEND	1	1						
12	1	26106-080402	BOLT M 8X 40 PLATED	2	2						
13	1	26106-080802	BOLT M 8X 80 PLATED	2	2						

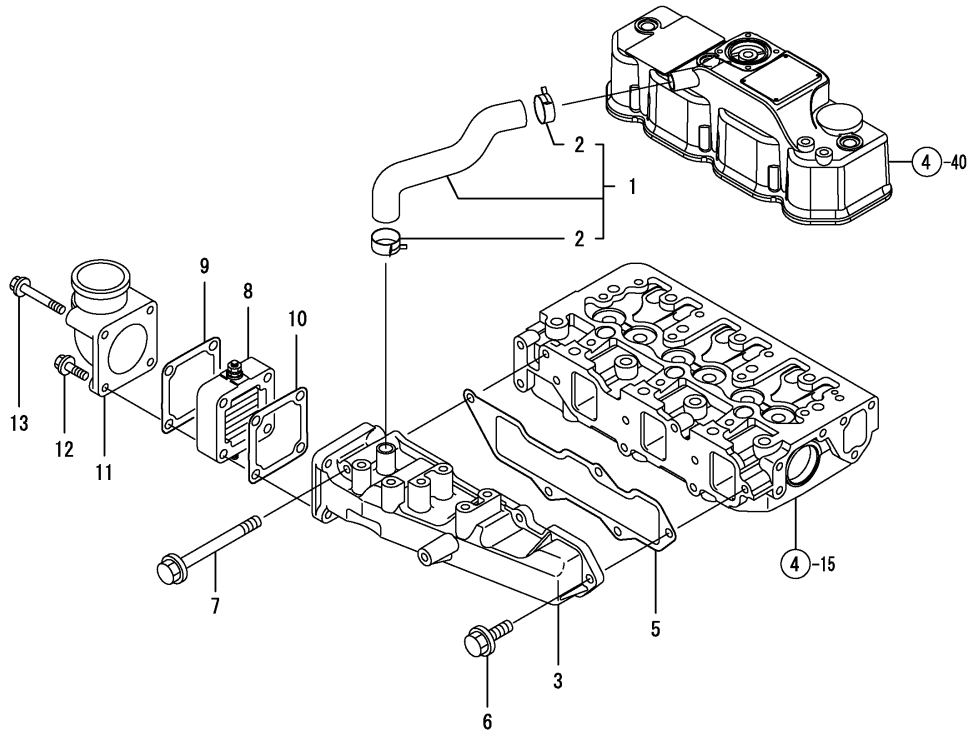


Fig.6. EXHAUST MANIFOLD

(A)=3TNV88-NHB
 (B)=3TNV88-NHBB
 (C)=

(D)=
 (E)=
 (F)=

REF.	LEV.	PARTS NO.	DESCRIPTION	Q'TY						I	R
				(A)	(B)	(C)	(D)	(E)	(F)		
1	1	129004-13129	MANIFOLD, EXHAUST	1	1						
2	1	129150-13110	GASKET, EXH.MANIFOLD	1	1						
3	1	119131-18320	BOLT M 8X 22	4	4						
4	1	123900-13630	BOLT 8X80	4	4						
5	1	123900-13610	STUD BOLT M 8X 80	2	2						
6	1	26306-080002	NUT	2	2						
7	1	124701-11911	GASKET, (NON-ASB.)	1	1						

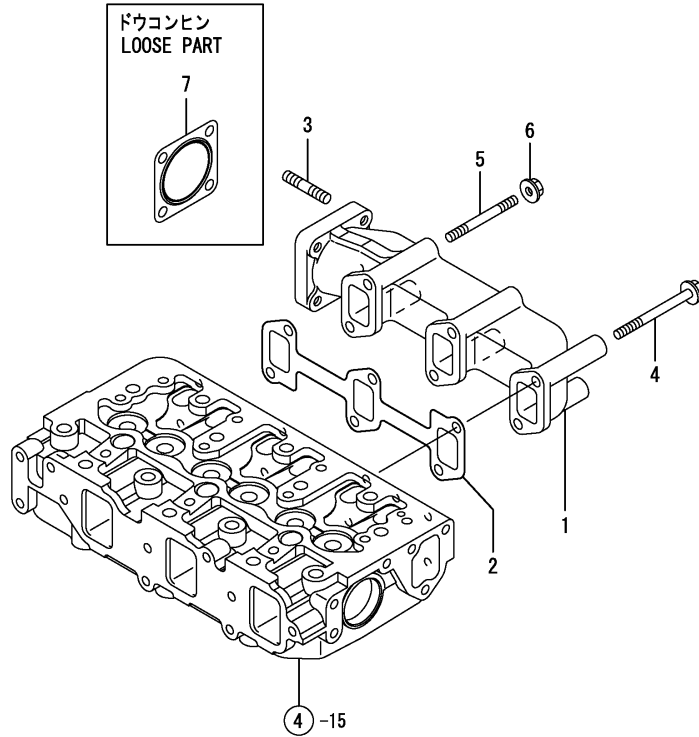
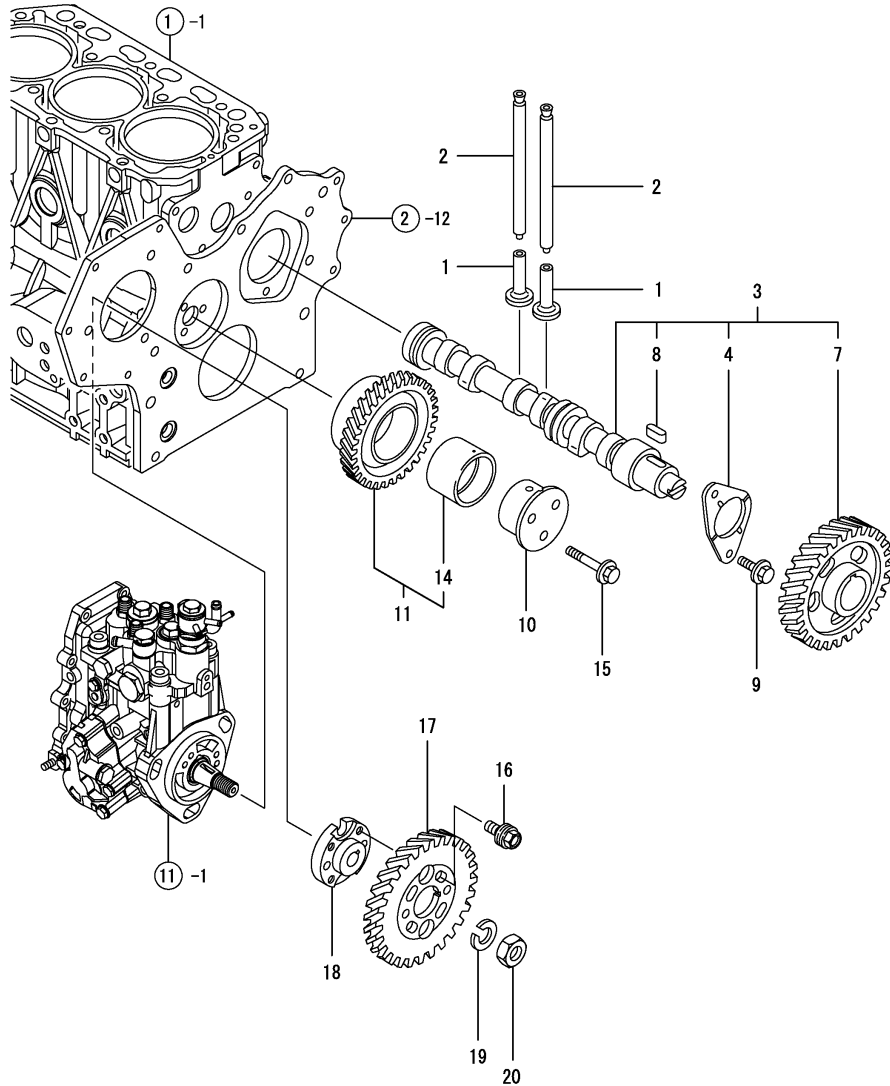


Fig.7. CAMSHAFT & DRIVING GEAR

(A)=3TNV88-NHB
 (B)=3TNV88-NHBB
 (C)=

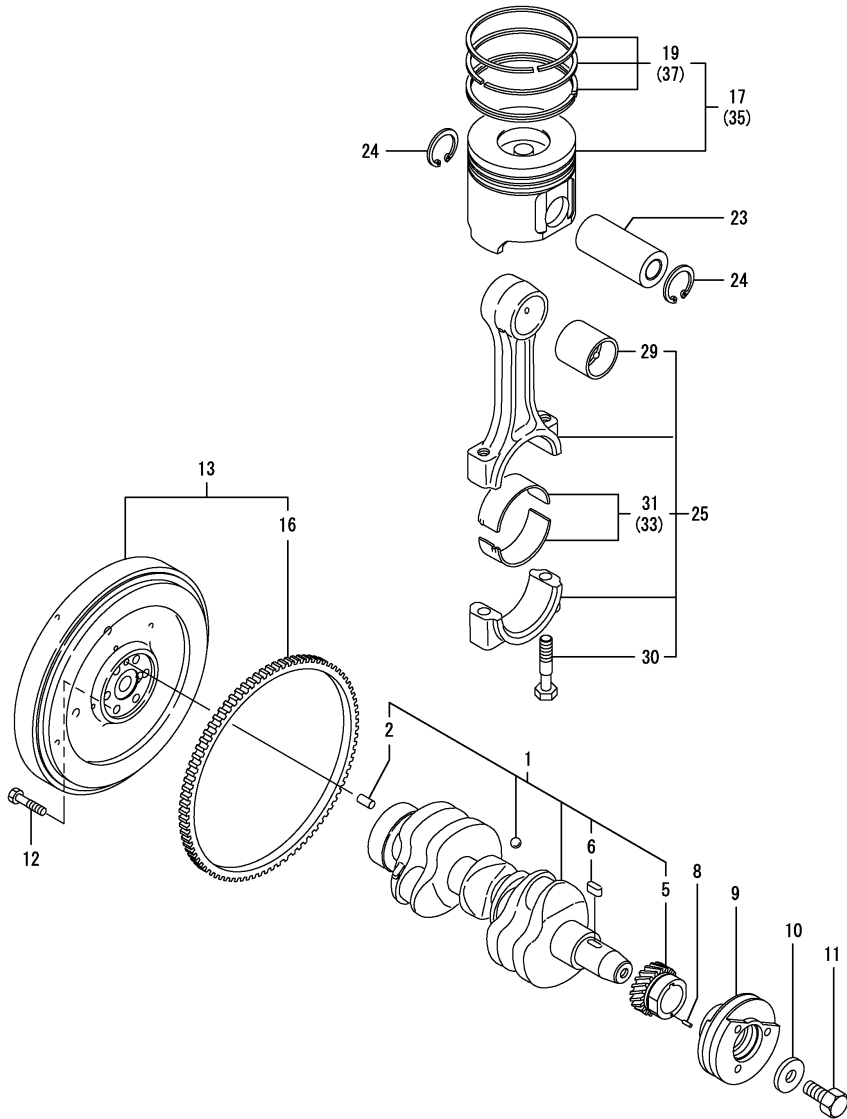
(D)=
 (E)=
 (F)=



REF.	LEV.	PARTS NO.	DESCRIPTION	QTY						I	R
				(A)	(B)	(C)	(D)	(E)	(F)		
1	1	129150-14200	TAPPET	6	6						
2	1	129150-14400	ROD, PUSH	6	6						
3	1	129129-14580	CAMSHAFT ASSY	1	1						
4	2	129150-02450	METAL,THRUST(CAM	1	1						
7	2	129150-14101	GEAR, CAMSHAFT	1	1						
8	2	22512-070140	KEY 7X 14	1	1						
9	1	26106-080142	BOLT 8X 14 PLATED	2	2						
10	1	119802-25051	SHAFT, IDLE GEAR	1	1						
11	1	119802-25100	GEAR ASSY, IDLE	1	1						
14	2	119802-25070	BUSH, IDLE GEAR	1	1						1
15	1	26106-080402	BOLT M 8X 40 PLATED	3	3						
16	1	129150-25301	BOLT,FI-P	4	4						
17	1	119802-25901	GEAR, PUMP	1	1						
18	1	158552-51151	FLANGE	1	1						
19	1	22217-140000	SPRING WASHER 14	1	1						
20	1	26776-140002	LOCK NUT M14 PLATED	1	1						

Remarks
 (1) REPAIR PART.

Fig.8. CRANKSHAFT & PISTON



OCD10-G81501 8. CRANKSHAFT & PISTON

(A)=3TNV88-NHB
(B)=3TNV88-NHBB
(C)=

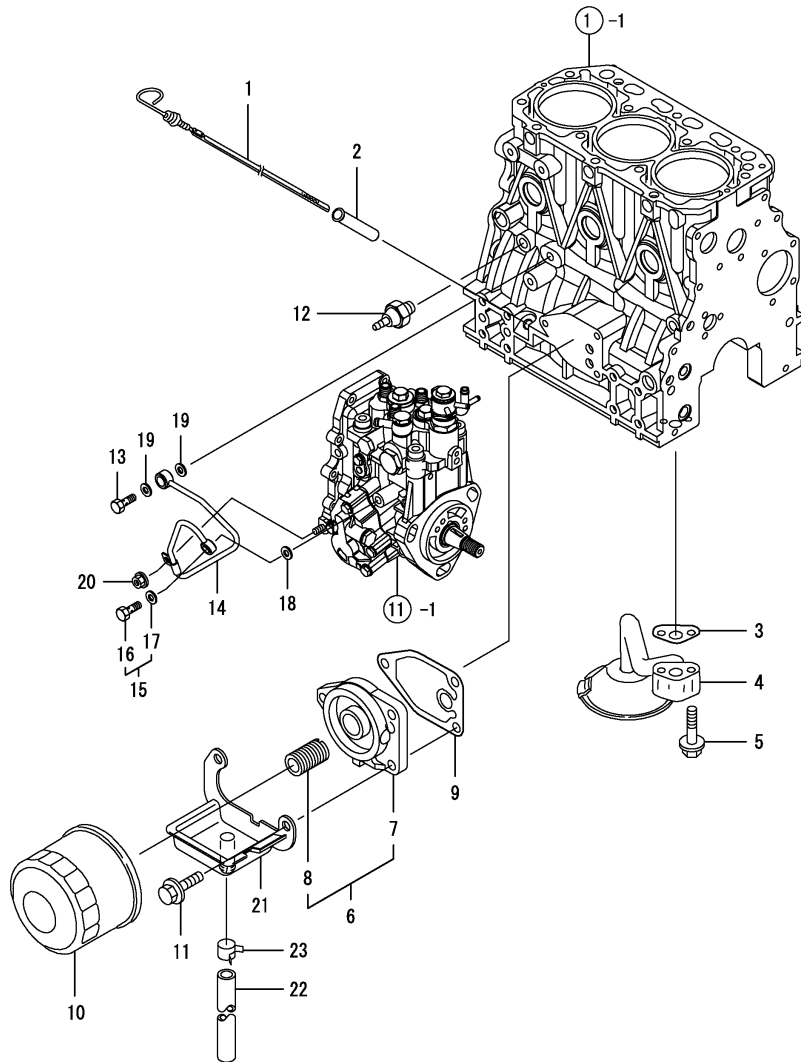
(D)=
(E)=
(F)=

REF.	LEV.	PARTS NO.	DESCRIPTION	QTY						I	R
				(A)	(B)	(C)	(D)	(E)	(F)		
1	1	129004-21001	CRANKSHAFT ASSY	1							
1-1	1	129004-21002	CRANKSHAFT ASSY	1	1						N
(A=E04259)											
2	2	129100-01580	PARALLEL PIN 8X16	1	1						
5	2	119802-21201	GEAR, CRANKSHAFT	1							
5-1	2	119802-21202	GEAR, CRANKSHAFT	1	1						N
(A=E04259)											
6	2	22512-070140	KEY 7X 14	1	1						
8	1	22351-030010	SPRING PIN 3X10	1	1						
9	1	129004-21650	V-PULLEY, CRANKSHAFT	1	1						
10	1	129795-21661	WASHER	1	1						
11	1	121850-21680	BOLT, V-PULLEY	1	1						
12	1	121111-21501	BOLT, FLYWHEEL	6	6						
13	1	129240-21590	FLYWHEEL CMP	1	1						
16	2	119865-21600	GEAR, RING	1	1						
17	1	129005-22080	PISTON ASSY	3	3						
19	2	129005-22500	RING SET, PISTON	3	3						
23	1	129202-22300	PIN, PISTON(D26,L70)	3	3						
24	1	22252-000260	CIRCLIP 26	6	6						
25	1	729402-23100	ROD ASSY, CONNECTING	3	3						
29	2	129100-23910	BUSH, PISTON PIN	3	3						1
30	2	121550-23200	BOLT, CONNECTING ROD	6	6						
31	2	129150-23600	METAL, CRANKPIN	3	3						
33	1	129150-23610	METAL.PIN US=0.25	3	3						2
35	1	129005-22900	PISTON W/RING OS=.25	3	3						3
37	2	129005-22950	RING SET O.S=0.25	3	3						3

Remarks

- (1) REPAIR PART.
- (2) UNDER-SIZE(U.S=0.25)PART.
- (3) OVER-SIZE(O.S=0.25)PART.

Fig.9. LUB.OIL SYSTEM



OCD10-G81501 9. LUB.OIL SYSTEM

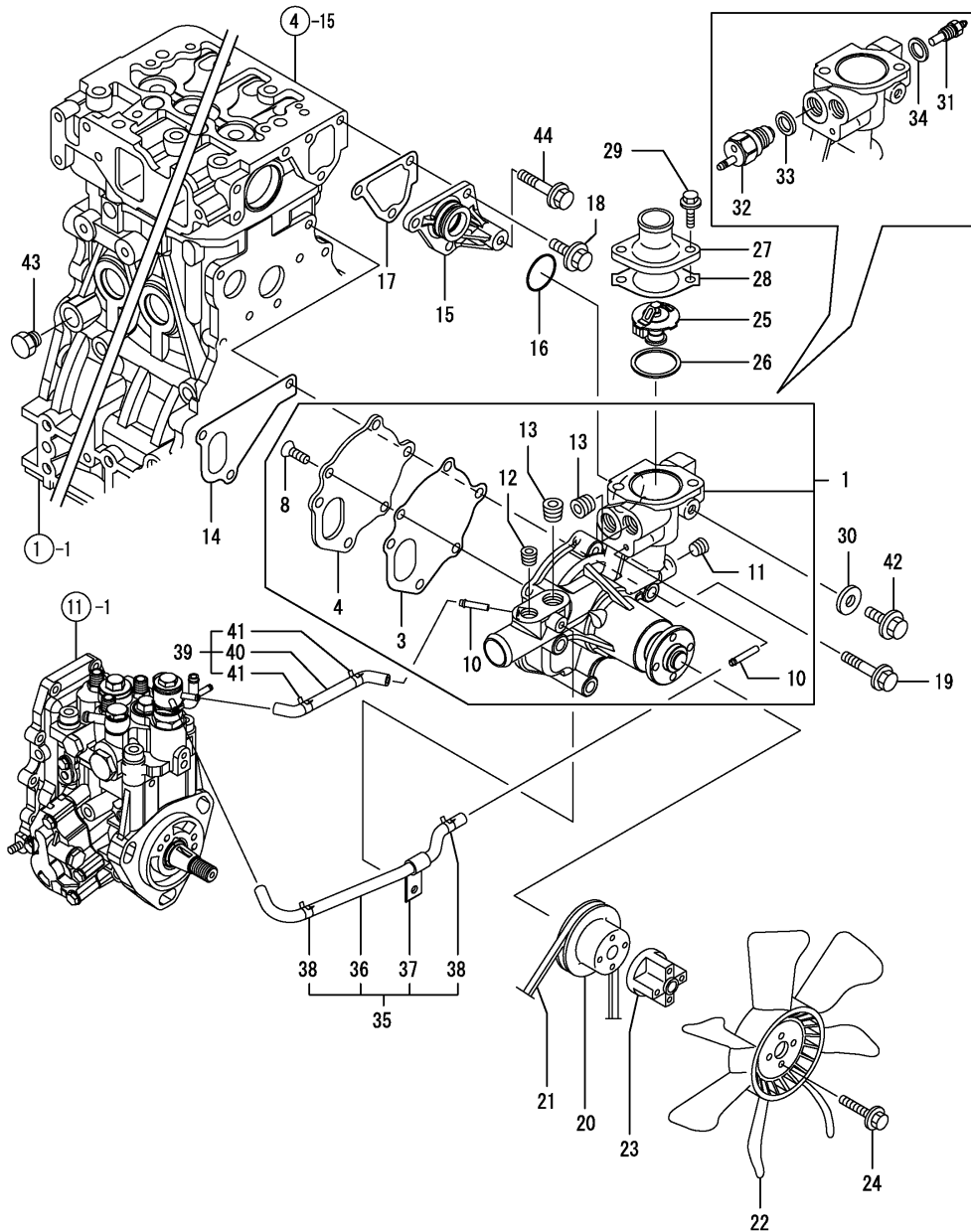
(A)=3TNV88-NHB
(B)=3TNV88-NHBB
(C)=

(D)=
(E)=
(F)=

REF.	LEV.	PARTS NO.	DESCRIPTION	Q'TY						I	R
				(A)	(B)	(C)	(D)	(E)	(F)		
1	1	129004-34801	DIPSTICK, LUB.OIL	1							
1-1	1	129242-34800	DIPSTICK, LUB.OIL	1	1						N
(A=E03472)											
2	1	121520-34810	GUIDE, DIPSTICK	1	1						
3	1	129150-35041	GASKET, (NON-ASB.)	1							
3-1	1	129150-35042	GASKET, (NON-ASB.)	1	1						N
(A=E04586)											
4	1	129100-35301	PIPE ASSY, OIL INLET	1	1						
5	1	26106-080352	BOLT M 8X 35 PLATED	2	2						
6	1	119802-35100	BRACKET ASSY, FILTER	1	1						
7	2	119802-35110	BRACKET, FILTER	1	1						
8	2	129100-35140	STUD	1	1						
9	1	129150-35111	GASKET, (NON-ASB.)	1	1						
10	1	129150-35153	FILTER 80X80L	1	1						1
11	1	26106-080202	BOLT M 8X 20 PLATED	3	3						
12	1	114250-39450	SWITCH,(0.5KG)L.O.	1	1						
13	1	124160-39140	BOLT 10, PIPE JOINT	1	1						
14	1	119802-39450	PIPE ASSY, LUB. OIL	1	1						
15	1	129005-59830	BOLT ASSY, JOINT	1	1						
16	2	23857-030000	JOINT BOLT 3	1	1						
17	2	22190-080002	SEAL WASHER 8S	1	1						
18	1	22190-080002	SEAL WASHER 8S	1	1						
19	1	22190-100002	SEAL WASHER 10S	2	2						
20	1	26366-060002	NUT M 6	1	1						
21	1	129240-35800	PLATE, L.O.	1	1						
22	1	23065-120230	HOSE, 12 X 230	1	1						
23	1	23080-014000	CLAMP 14	1	1						

Remarks
(1) REPAIR PART.

Fig.10. COOLING WATER SYSTEM



(A)=3TNV88-NHB
(B)=3TNV88-NHBB
(C)=

(D)=
(E)=
(F)=

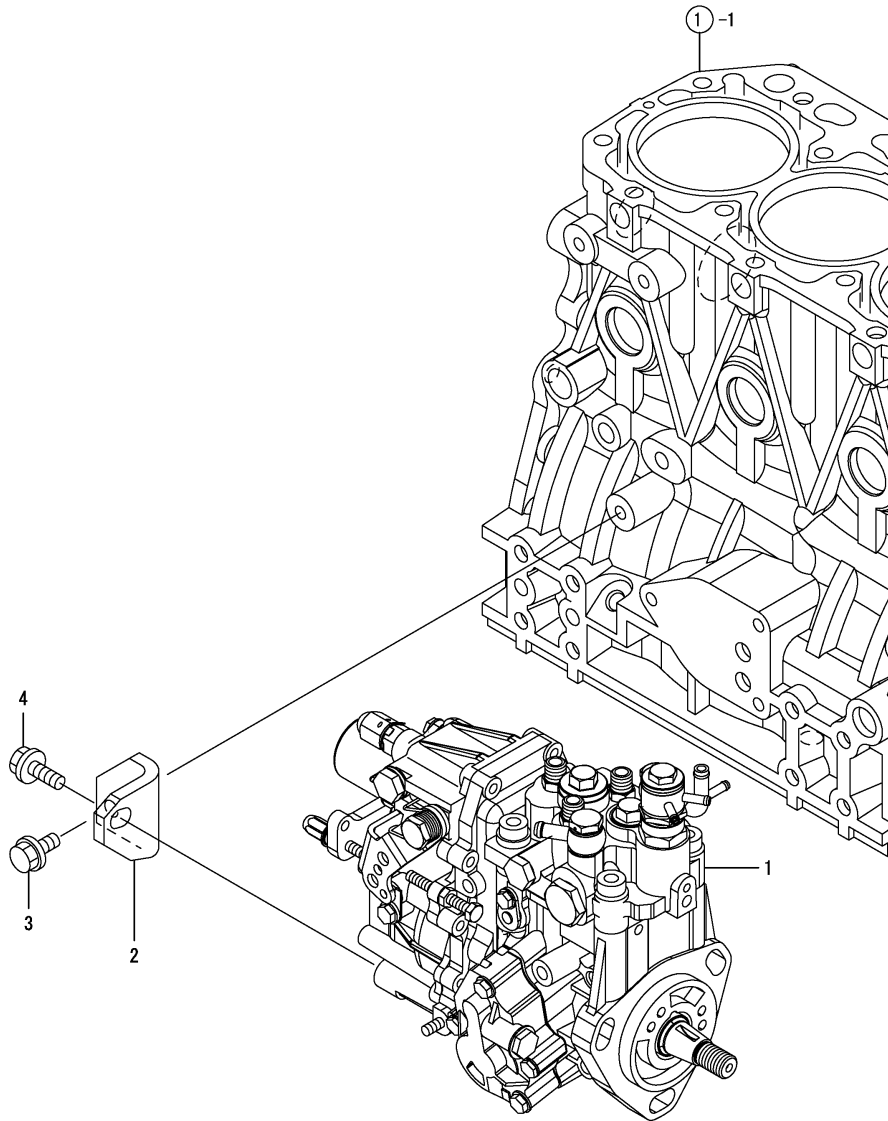
REF.	LEV.	PARTS NO.	DESCRIPTION	QTY						I	R
				(A)	(B)	(C)	(D)	(E)	(F)		
1	1	129004-42001	PUMP ASSY, WATER	1	1						
3	2	129100-42051	GASKET, (NON-ASB.)	1	1						
4	2	129100-42121	PLATE	1	1						
8	2	121850-42410	SCREW	3	3						
10	2	119802-49113	JOINT	2	2						
11	2	23876-010000	PLUG PT1/8,SCREW	1	1						
12	2	23876-020000	PLUG PT1/4,SCREW	1	1						
13	2	129916-49740	PLUG, DRAIN R03	2	2						
14	1	129486-42021	GASKET	1	1						
15	1	129004-42040	JOINT	1	1						
16	1	129486-42140	O-RING,CW-P	1	1						
17	1	124395-49840	GASKET, THERMO. CASE	1	1						
18	1	26106-080162	BOLT M 8X 16 PLATED	3	3						
19	1	26106-080602	BOLT M 8X 60 PLATED	3	3						
20	1	129403-42380	V-PULLEY(D=110)	1	1						
20-1	1	129550-42350	V-PULLEY(D=120)	1							N
		(A=E04259)									
21	1	129612-42330	V-BELT	1	1						
21-1	1	129612-42350	V-BELT A38	1							N
		(A=E04259)									
22	1	129655-44740	FAN, COOLING	1	1						
23	1	119256-44760	SPACER	1	1						
24	1	26106-060552	BOLT M 6X 55 PLATED	4	4						
25	1	129155-49801	THERMOSTAT (71)	1	1						
26	1	129150-49811	GASKET, (NON-ASB.)	1	1						
27	1	129350-49530	COVER, THERMOSTAT	1	1						
28	1	129795-49551	GASKET, (NON-ASB.)	1	1						
29	1	26106-080222	BOLT M 8X 22 PLATED	2	2						
30	1	23414-080000	GASKET 8, ROUND	1	1						
31	1	129242-49450	SENSOR,C.W.	1	1						
32	1	121250-44901	SWITCH, THERMO(110 C	1	1						
33	1	124465-44950	GASKET 16	1	1						
34	1	129150-49360	GASKET 10	1	1						
35	1	129004-49610	PIPE ASSY, A MP2	1	1						
36	2	129004-49711	PIPE ASSY, A MP2	1	1						
37	2	119802-49730	CLAMP,CW-T	1	1						
38	2	124722-59050	CLAMP 9	2	2						
39	1	129004-49620	PIPE ASSY, B MP2	1	1						
40	2	129004-49721	PIPE, WATER B MP2	1	1						
41	2	124722-59050	CLAMP 9	2	2						
42	1	26106-080122	BOLT M 8X 12 PLATED	1	1						
43	1	171056-49120	PLUG, DRAIN	1	1						
44	1	26106-080452	BOLT M 8X 45 PLATED	1	1						

Fig.11. FUEL INJECTION PUMP

(A)=3TNV88-NHB
 (B)=3TNV88-NHBB
 (C)=

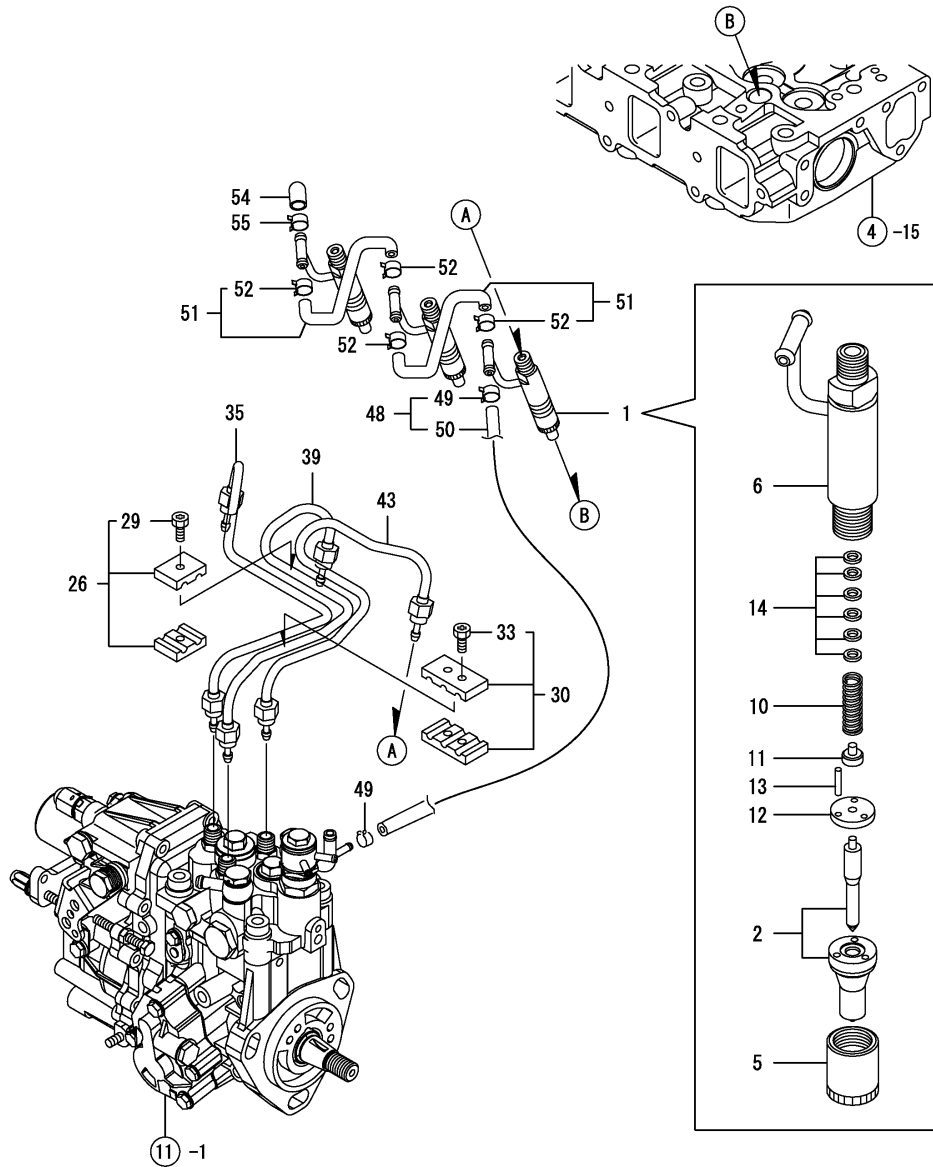
(D)=
 (E)=
 (F)=

REF.	LEV.	PARTS NO.	DESCRIPTION	Q'TY						I	R	
				(A)	(B)	(C)	(D)	(E)	(F)			
I	1	1	729242-51380	PUMP ASSY, F.INJECT	1	1						1
	2	1	119802-51250	BRACKET, PUMP	1	1						
	3	1	26106-080162	BOLT M 8X 16 PLATED	1	1						
	4	1	26106-080202	BOLT M 8X 20 PLATED	1	1						



Remarks
 (1) REFER TO FIG.17 & 18 FOR INNER PARTS.

Fig.12. FUEL INJECTION VALVE

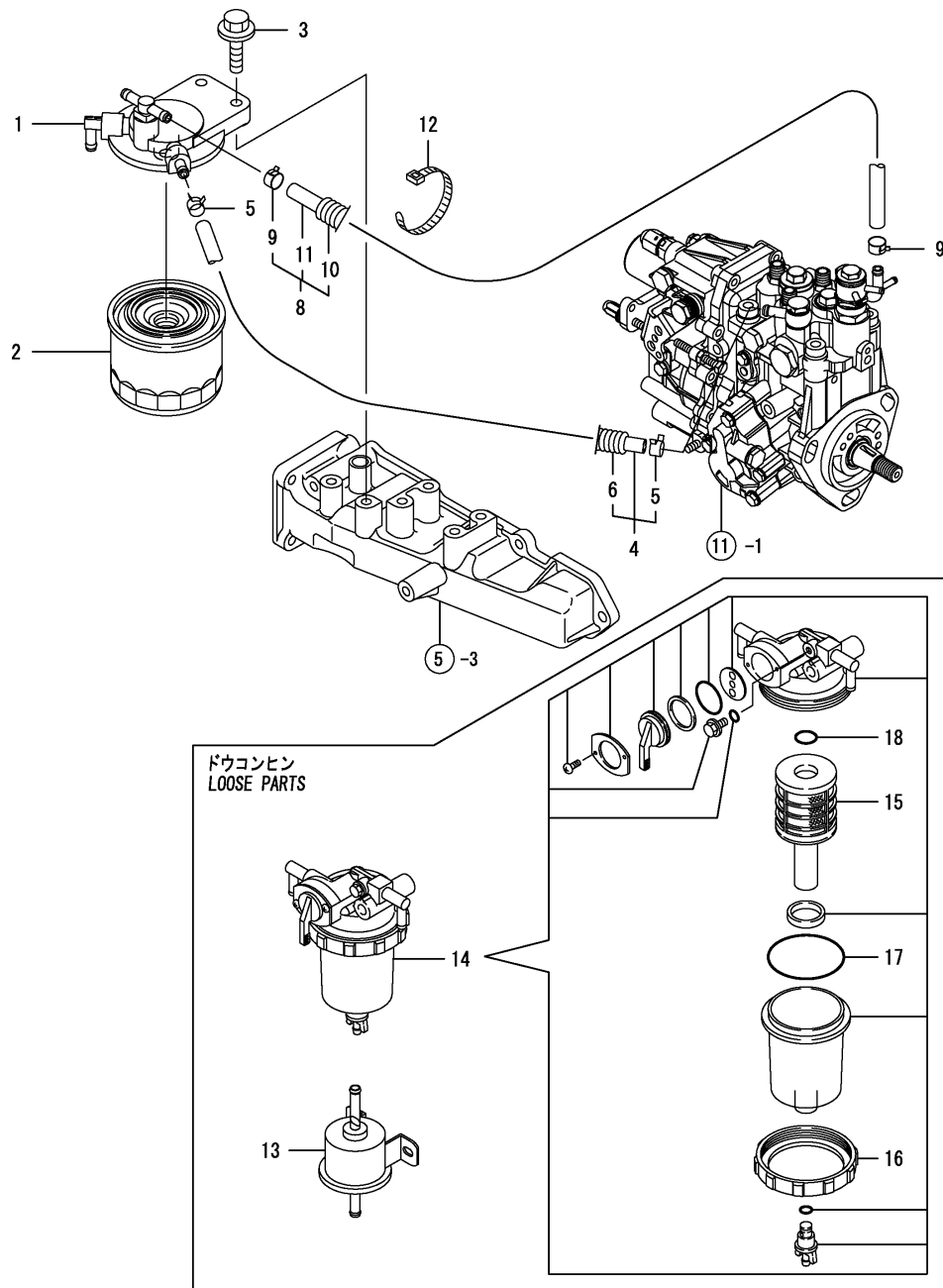


(A)=3TNV88-NHB
(B)=3TNV88-NHBB
(C)=

(D)=
(E)=
(F)=

REF.	LEV.	PARTS NO.	DESCRIPTION	QTY						I	R
				(A)	(B)	(C)	(D)	(E)	(F)		
1	1	729245-53100	FUEL INJECTOR(WBB	3	3						
2	2	129004-53001	NOZZLE CMP	3	3						
5	2	114250-53080	NUT, NOZZLE CASE	3	3						
6	2	119802-53100	HOLDER ASSY, NOZZLE	3	3						
10	2	114250-53120	SPRING, NOZZLE	3	3						
11	2	114250-53130	SEAT, NOZZLE SPRING	3	3						
12	2	114250-53140	PLATE, STOP	3	3						
13	2	114250-53210	PIN	6	6						
14	2	114250-53400	SHIM PACK	3	3						
26	1	119305-59120	RETAINER	1	1						
29	2	129150-59131	BOLT M4X14,HEX.SCKT.	1	1						
30	1	129150-59120	RETAINER, INJ. PIPE	1	1						
33	2	129150-59131	BOLT M4X14,HEX.SCKT.	2	2						
35	1	129004-59810	PIPE ASSY, INJECTION	1	1						
39	1	129004-59820	PIPE ASSY, INJECTION	1	1						
43	1	129004-59830	PIPE ASSY, INJECTION	1	1						
48	1	119802-59550	PIPE ASSY, RETURN	1	1						
49	2	124722-59050	CLAMP 9	2	2						
50	2	119802-59560	PIPE, FUEL RETURN	1	1						
51	1	129486-59551	PIPE, FUEL RETURN	2	2						
52	2	124722-59050	CLAMP 9	4	4						
54	1	119593-59580	CAP	1	1						
55	1	124060-77680	CLAMP 10	1	1						

Fig.13. FUEL LINE

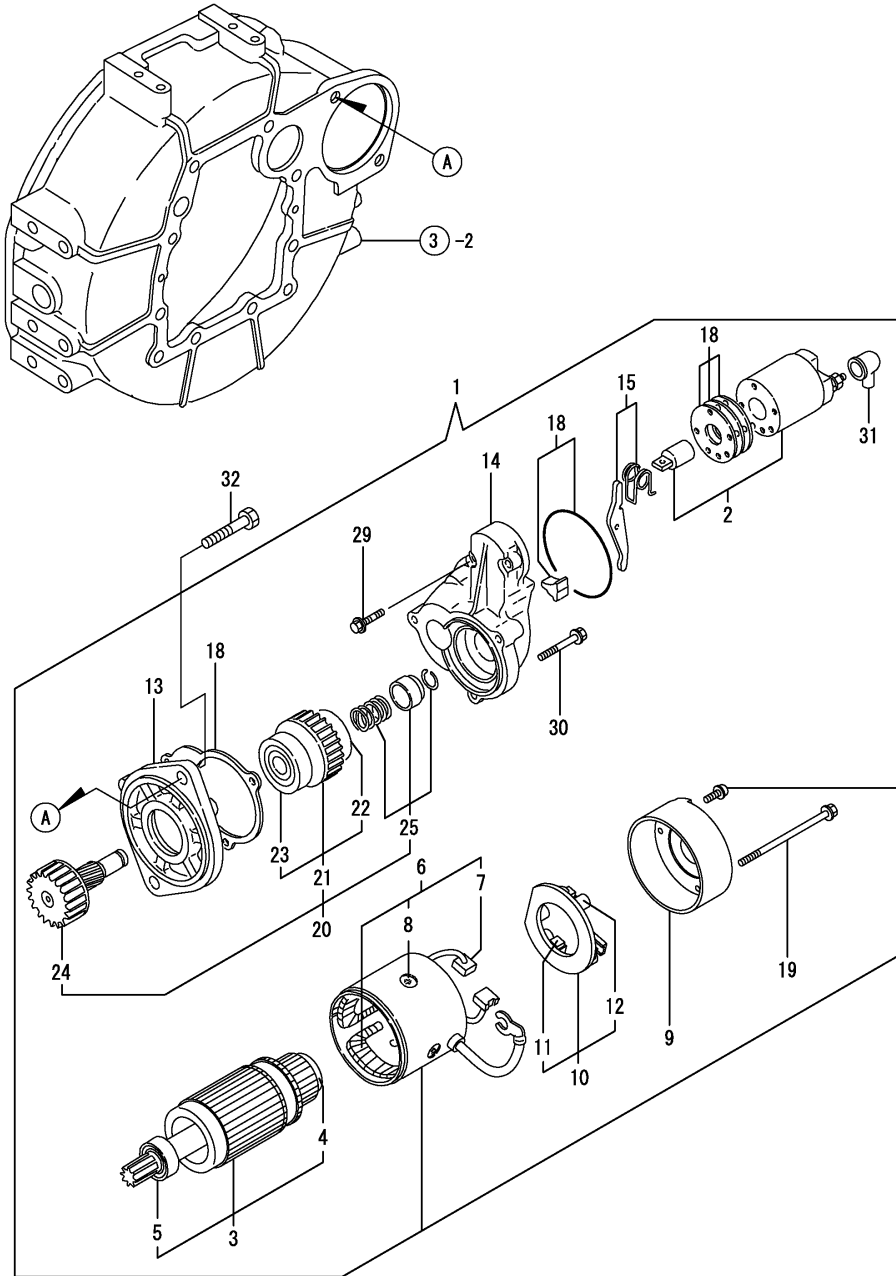


(A)=3TNV88-NHB
(B)=3TNV88-NHBB
(C)=

(D)=
(E)=
(F)=

REF.	LEV.	PARTS NO.	DESCRIPTION	Q'TY						I	R
				(A)	(B)	(C)	(D)	(E)	(F)		
1	1	129004-55610	BRACKET, FILTER	1	1						
2	1	119802-55801	FILTER, FUEL	1	1						M
2-1	1	129004-55801	FILTER, FUEL OIL	1	1						N
		(A=*2008.09) (B=*2008.09)									
3	1	26106-080302	BOLT M 8X 30 PLATED	2	2						
4	1	129044-59010	PIPE, FUEL	1	1						
5	2	124766-59050	CLAMP 12	2	2						
6	2	129044-59100	PROTECTOR, PIPE 15	1	1						
8	1	129950-59311	PIPE, FUEL	1	1						
9	2	124766-59050	CLAMP 12	2	2						
10	2	129961-59110	TUBE	1	1						
11	2	105025-59580	PIPE, FUEL OIL	1	1						
12	1	121750-59890	CLAMP 140	1	1						
13	1	129612-52100	FUEL PUMP	1	1						
14	1	129906-55700	SEPARATOR ASSY	1	1						
15	2	119802-55710	ELEMENT	1	1						
16	2	129100-55690	RING, RETAINING	1	1						
17	2	24321-000650	O-RING 1A G-65.0	1	1						
18	2	24311-000160	O-RING 1A P-16.0	1	1						

Fig.14. STARTING MOTOR

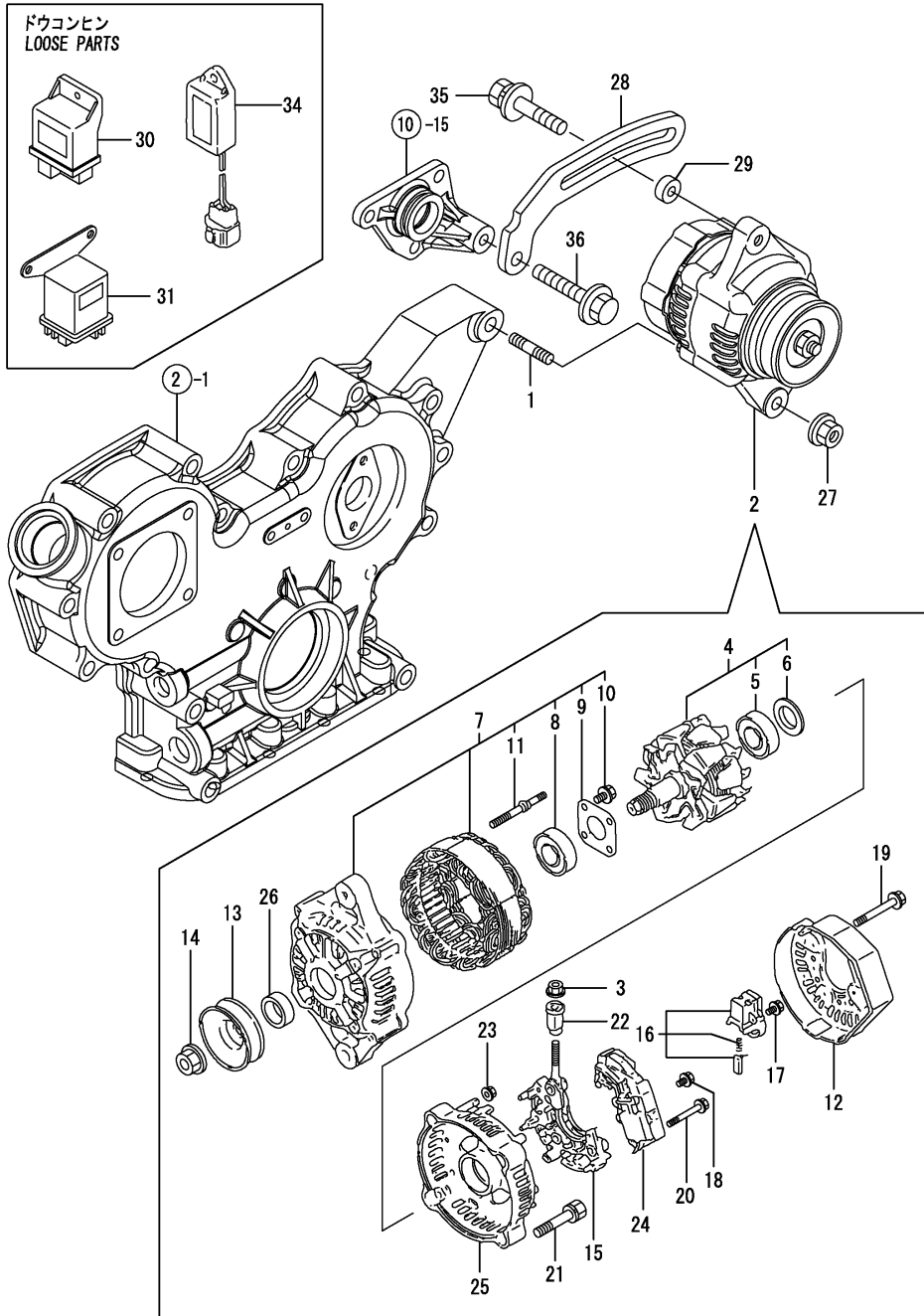


(A)=3TNV88-NHB
(B)=3TNV88-NHBB
(C)=

(D)=
(E)=
(F)=

REF.	LEV.	PARTS NO.	DESCRIPTION	QTY						I	R
				(A)	(B)	(C)	(D)	(E)	(F)		
1	1	129136-77011	STARTER	1	1						
2	2	129136-77310	SHAFT, PINION	1	1						
3	2	129900-77400	ARMATURE ASSY	1	1						
4	3	X2130350900	BALL BEARING	1	1						
5	3	X2114255110	BALL BEARING	1	1						
6	2	129900-77440	COIL ASSY, FIELD	1	1						
7	3	129900-77450	BRUSH (+)	2	2						
8	3	171008-77450	SCREW, POLE CORE SET	4	4						
9	2	129900-77460	COVER, REAR	1	1						
10	2	129900-77480	HOLDER ASSY, BRASH	1	1						
11	3	129900-77450	BRUSH (+)	2	2						
12	3	129400-77490	SPRING, BRUSH	4	4						
13	2	171008-77510	HOUSING ASSY, GEAR	1	1						
14	2	129136-77520	CENTER HOUSING	1	1						
15	2	171008-77540	LEVER SET, SHIFT	1	1						
18	2	129400-77571	DUST COVER,(NON-ASB.	1	1						
19	2	129900-77640	BOLT, THROUGH	2	2						
20	2	171008-77650	PINION ASSY	1	1						
21	3	X2114555500	CLUTCH ASSY	1	1						
22	4	X2114955020	BALL BEARING	1	1						
23	4	X2240410100	BALL BEARING	1	1						
24	3	171008-77660	SHAFT, PINION	1	1						
25	3	171008-77670	STOPPER SET, PINION	1	1						
29	2	26106-060322	BOLT M 6X 32 PLATED	2	2						
30	2	26106-060402	BOLT M 6X 40 PLATED	3	3						
31	2	171008-77750	COVER, M TERMINAL	1	1						
32	1	26116-120252	BOLT M12X 25 PLATED	2	2						

Fig.15. GENERATOR

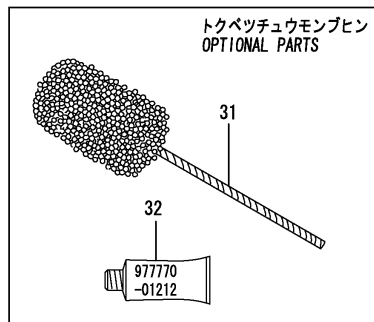
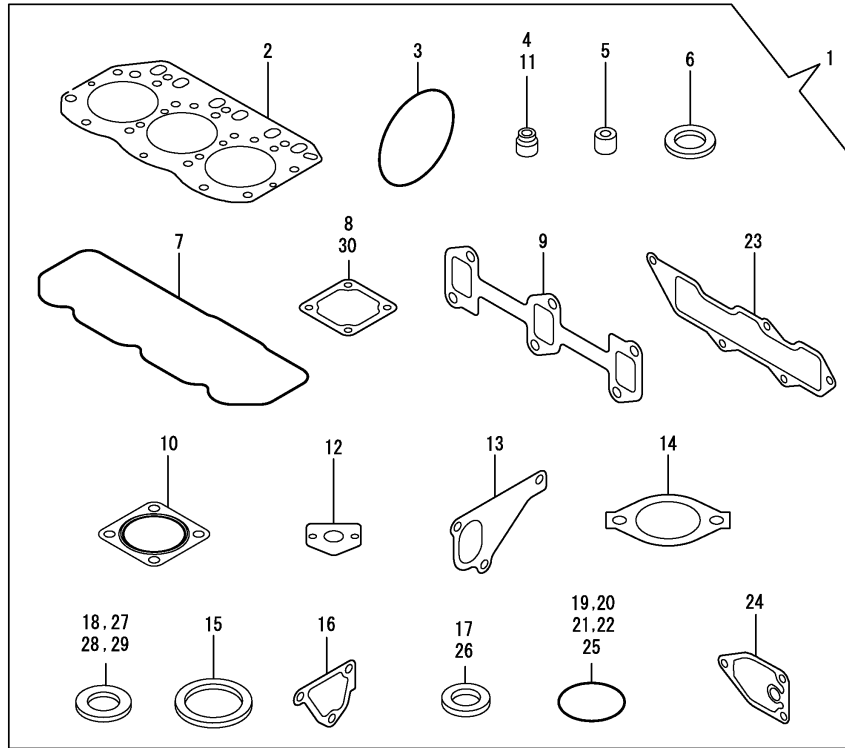


(A)=3TNV88-NHB
(B)=3TNV88-NHBB
(C)=

(D)=
(E)=
(F)=

REF.	LEV.	PARTS NO.	DESCRIPTION	QTY						I	R
				(A)	(B)	(C)	(D)	(E)	(F)		
1	1	129795-01900	STUD	1	1						
2	1	119626-77210	ALTERNATOR ASSY	1	1						
3	2	X9490561001	NUT	1	1						
4	2	129052-77380	ROTATOR ASSY	1	1						
5	3	123501-79240	BEARING, BALL	1	1						
6	3	119620-79250	COVER, BEARING	1	1						
7	2	129052-77422	FRAME ASSY	1	1						
8	3	119620-79200	BALL BEARING	1	1						
9	3	119620-79210	PLATE	1	1						
10	3	119620-79220	SCREW	4	4						
11	3	119620-79230	BOLT, STUD	2	2						
12	2	128401-77440	FLAME	1	1						
13	2	119620-77461	PULLEY	1	1						
14	2	119620-77471	NUT	1	1						
15	2	129052-79260	HOLDER, SUB, RECTIFIER	1	1						
16	2	129052-79270	HOLDER, BRUSH	1	1						
17	2	119620-79290	SCREW	6	6						
18	2	119620-79300	SCREW	1	1						
19	2	119620-79310	BOLT	3	3						
20	2	119620-79320	SCREW W/WASHER	2	2						
21	2	119620-79330	BOLT	2	2						
22	2	119620-79340	INSULATION BUSH	1	1						
23	2	119620-79350	NUT	2	2						
24	2	129423-77710	REGULATOR ASSY	1	1						
25	2	119626-79410	COVER, END, RR	1	1						
25-1	2	119626-77450	COVER, END, RR	1	1						N
		(A=FROM 1ST) (B=FROM 1ST)									
26	2	119620-77490	COLLAR	1	1						
27	1	26306-100002	NUT	1	1						
28	1	119940-77330	ADJUSTER, BELT	1	1						
29	1	119940-77270	ADJUSTER, BELT	1	1						
30	1	119802-77200	RELAY, SAFETY	1	1						
31	1	119650-77910	RELAY, GROW	1	1						
34	1	129211-77920	TIMER	1	1						
35	1	119802-77340	BOLT, ADJUSTER	1	1						
36	1	26106-080452	BOLT M 8X 45 PLATED	1	1						

Fig.16. GASKET SET



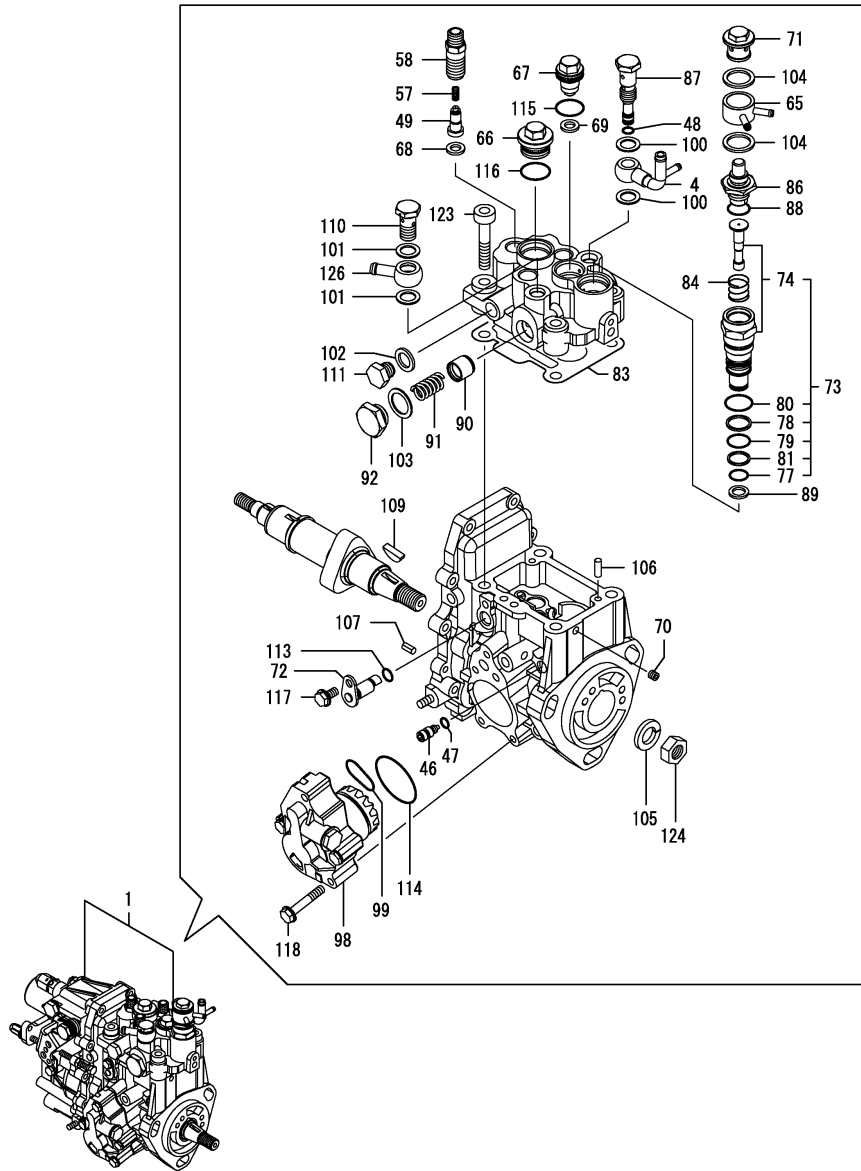
(A)=3TNV88-NHB
(B)=3TNV88-NHBB
(C)=

(D)=
(E)=
(F)=

REF.	LEV.	PARTS NO.	DESCRIPTION	QTY						I	R
				(A)	(B)	(C)	(D)	(E)	(F)		
1	1	729001-92730	GASKET SET(NON-ASB.)	1							1
1-1	1	729001-92840	GASKET SET(NON-ASB.)	1	1						N 1
(A=E04586)											
2	2	129001-01340	GASKET, (NON-ASB.)	1	1						
3	2	121850-51960	O-RING, F.I.PUMP	1	1						
4	2	124460-11340	SEAL, VALVE STEM	3	3						
5	2	119802-11870	PROTECTOR, NOZZLE	3	3						
6	2	119625-11880	SEAT, NOZZLE	3	3						
7	2	129004-11310	GASKET, BONNET	1	1						
8	2	129150-77511	GASKET, (NON-ASB.)	1	1						
9	2	129150-13110	GASKET, EXH.MANIFOLD	1	1						
10	2	124701-11911	GASKET, (NON-ASB.)	1	1						
11	2	121400-11340	SEAL, VALVE STEM	3	3						
12	2	129150-35041	GASKET, (NON-ASB.)	1							
12-1	2	129150-35042	GASKET, (NON-ASB.)	1	1						N
(A=E04586)											
13	2	129486-42021	GASKET	1	1						
14	2	129795-49551	GASKET, (NON-ASB.)	1	1						
15	2	129150-49811	GASKET, (NON-ASB.)	1	1						
16	2	124395-49840	GASKET, THERMO. CASE	1	1						
17	2	22190-080002	SEAL WASHER 8S	2	2						
18	2	124465-44950	GASKET 16	1	1						
19	2	24311-000120	O-RING 1A P 12.0	3	3						
20	2	24311-000320	O-RING 1A P-32.0	2	2						
21	2	24341-000240	O-RING 1A S-24.0	1	1						
22	2	129486-42140	O-RING,CW-P	1	1						
23	2	129001-12110	GASKET,INT. MANIFOLD	1	1						
24	2	129150-35111	GASKET, (NON-ASB.)	1	1						
25	2	119609-32040	O-RING P16	4	4						
26	2	22190-100002	SEAL WASHER 10S	2	2						
27	2	23414-080000	GASKET 8, ROUND	1	1						
28	2	129150-49360	GASKET 10	1	1						
29	2	22190-220002	SEAL WASHER 22S	1	1						
30	2	129100-77510	GASKET, AIR HEATER	1	1						
31	1	129400-92430	HORN, FLEX	1	1						1
32	1	977770-01212	GASKET, LIQUID	1	1						1

Remarks
(1) OPTIONAL PART.

Fig.17. FUEL INJECTION PUMP(INNER PART



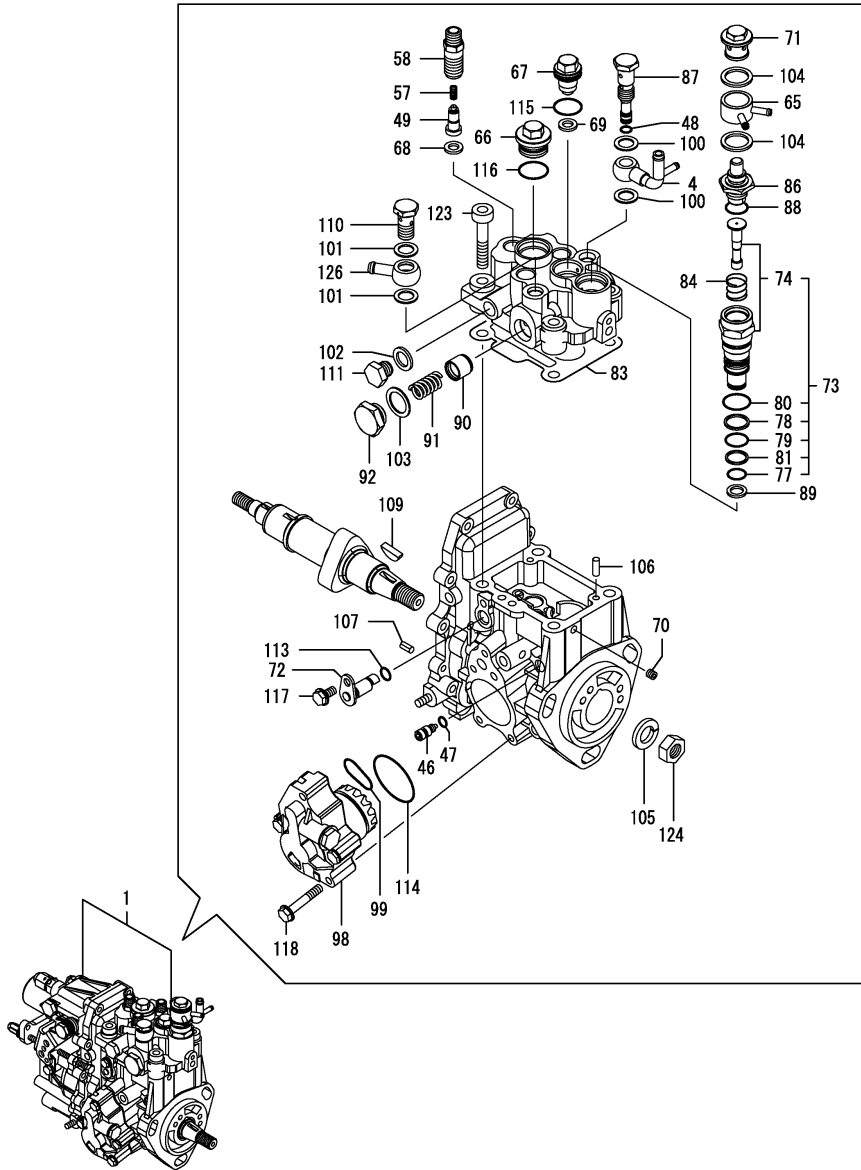
Remarks
 (1) GOVERNOR ASSY(FIG.18) IS
 INCORPORATED IN THIS FOP.CMP
 (REF.NO.1).

(A)=3TNV88-NHB
 (B)=3TNV88-NHBB
 (C)=

(D)=
 (E)=
 (F)=

REF.	LEV.	PARTS NO.	DESCRIPTION	Q'TY						I	R
				(A)	(B)	(C)	(D)	(E)	(F)		
1	1	729242-51380	PUMP ASSY, F.INJECT	1	1						1
4	2	158552-51670	JOINT	1	1						
46	2	158600-51270	STOPPER	1	1						
47	2	158563-51281	O-RING	1	1						
48	2	158563-51281	O-RING	1	1						
49	2	158560-51300	VALVE ASSY, DILEVERY	3	3						
57	2	158563-51330	SPRING	3	3						
58	2	158601-51340	HOLDER, DELIVERY	3	3						
65	2	158553-51551	JOINT, COOLING WATER	1	1						
66	2	158601-51550	PLUG	1	1						
67	2	119802-51560	BARREL PLUG	1	1						
68	2	158552-51570	PK(BARREL PLUG	3	3						
69	2	158552-51570	PK(BARREL PLUG	1	1						
70	2	158557-51570	PLUG	1	1						
71	2	158601-51570	PLUG,WATER PUMP	1	1						
72	2	158552-51580	LIFTER	1	1						
73	2	119802-51590	TIMER SET	1	1						
74	3	119802-51600	TIMER CMP	1	1						
77	3	158553-51670	O-RING, 1011	1	1						
78	3	119802-51680	BACKUP RING	1	1						
79	3	119802-51690	O RING	1	1						
80	3	24356-010200	PACKING, 1020	1	1						
81	3	24372-000150	RING, BACKUP T2 P 15	1	1						
83	2	158552-51600	PACKING, HEAD	1	1						
84	2	158553-51630	SPRING,TIMER	1	1						
86	2	158553-51640	ELEMENT, THERMO	1	1						
87	2	158601-51650	JOINT	1	1						
88	2	158553-51660	O-RING,P14	1	1						
89	2	158553-51680	PACKING,TIMER	1	1						
90	2	158601-51770	PISTON	1	1						
91	2	158552-51780	DAMPER ASSY	1	1						
92	2	158601-51790	PLUG	1	1						
98	2	158552-52100	PUMP ASSY,FEED	1	1						
99	2	158552-52310	O-RING	1	1						
100	2	22190-120002	SEAL WASHER 12	2	2						
101	2	22190-120002	SEAL WASHER 12	2	2						
102	2	22190-120002	SEAL WASHER 12	1	1						
103	2	22190-180002	SEAL WASHER 18	1	1						
104	2	22190-180002	SEAL WASHER 18	2	2						
105	2	22217-140000	SPRING WASHER 14	1	1						
106	2	22312-050140	PARALLEL PIN 5X14	2	2						
107	2	22351-050010	SPRING PIN 5X10	2	2						
109	2	119802-51090	KEY,WOODRUFF 4X16	1	1						
110	2	23857-060000	JOINT BOLT 6,PIPE	1	1						
111	2	23887-120002	PLUG M12,HEX.	1	1						
113	2	24311-000070	O-RING 1A P-7.0	1	1						
114	2	158552-52400	O-RING 4E S42	1	1						
115	2	24356-010180	O-RING	1	1						
116	2	24356-010200	PACKING, 1020	1	1						
117	2	26106-060102	BOLT 6X 10 PLATED	1	1						
118	2	158553-51770	BOLT	4	4						

Fig.17. FUEL INJECTION PUMP(INNER PART



17. FUEL INJECTION PUMP(INNER PART

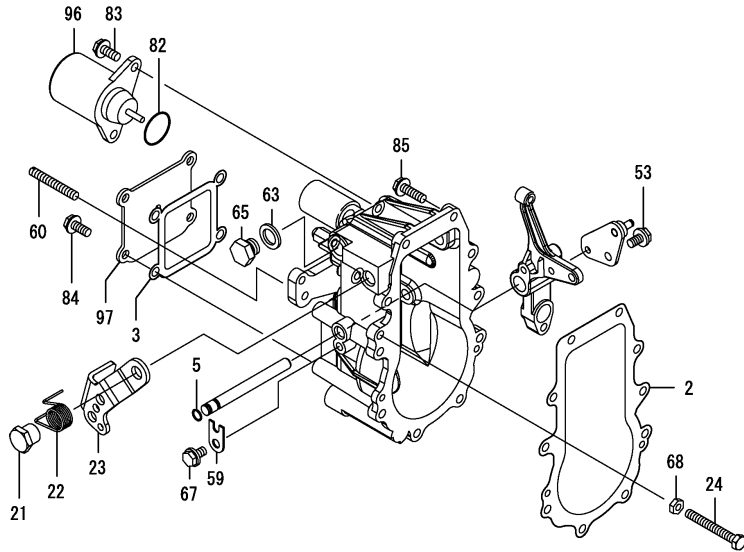
(A)=3TNV88-NHB
(B)=3TNV88-NHBB
(C)=

(D)=
(E)=
(F)=

REF.	LEV.	PARTS NO.	DESCRIPTION	QTY						I	R
				(A)	(B)	(C)	(D)	(E)	(F)		
123	2	26450-080452	BOLT M 8X 45	4	4						
124	2	26776-140002	LOCK NUT M14 PLATED	1	1						
126	2	129916-59020	JOINT 12, PIPE	1	1						

Remarks
(1) GOVERNOR ASSY(FIG.18) IS
INCORPORATED IN THIS FOP.CMP
(REF.NO.1).

Fig.18. GOVERNOR (INNER PARTS)



OCD10-G81501 18. GOVERNOR (INNER PARTS)

(A)=3TNV88-NHB
(B)=3TNV88-NHBB
(C)=

(D)=
(E)=
(F)=

REF.	LEV.	PARTS NO.	DESCRIPTION	Q'TY						I	R
				(A)	(B)	(C)	(D)	(E)	(F)		
2	2	158553-61050	PACKING, CASE	1	1						
3	2	158553-61070	PACKING	1	1						
5	2	129155-51280	O-RING S6	1	1						
21	2	129255-61410	NUT	1	1						
22	2	119807-61420	SPRING	1	1						
23	2	158552-61441	LEVER, REGULATOR	1	1						
24	2	129155-61460	BOLT, IDLE LIMIT	1	1						
53	2	26106-060102	BOLT 6X 10 PLATED	1	1						
59	2	119660-61901	RETAINER, SHAFT	1	1						
60	2	171002-66830	SCREW, ADJUST	1	1						
63	2	22190-120000	SEAL WASHER 12(BOLT)	1	1						
65	2	23887-120002	PLUG M12,HEX.	1	1						
67	2	26106-060102	BOLT 6X 10 PLATED	1	1						
68	2	26756-060002	LOCK NUT 6	1	1						
82	2	24341-000280	O-RING 1A S-28.0	1	1						
82-1	2	158552-61900	O-RING	1	1						N
		(A=EXXXXX) (B=EXXXXX)									
83	2	26106-060142	BOLT M 6X 14 PLATED	2	2						
84	2	26106-060142	BOLT M 6X 14 PLATED	4	4						
85	2	26106-060202	BOLT M 6X 20 PLATED	10	10						
96	2	119233-77932	SOLENOID, STOP	1	1						
97	2	129642-61060	COVER, CASE	1	1						

Remarks
* THIS FIGURE(GOVERNOR ASSY)IS
INCORPORATED IN THE FUEL INJECTION
PUMP ASSY(FIG.17).

Fig.19. SHORT BLOCK

(A)=3TNV88-NHB
 (B)=3TNV88-NHBB
 (C)=

(D)=
 (E)=
 (F)=

REF.	LEV.	PARTS NO.	DESCRIPTION	Q'TY						I	R
				(A)	(B)	(C)	(D)	(E)	(F)		
1	1	729235-01000	SHORT BLOCK ASSY	1	1						
2	2	129235-01560	BLOCK ASSY, CYLINDER	1	1						
3	2	729402-01650	CASE ASSY, OIL SEAL	1	1						
3-1	2	129648-01600	CASE ASSY, OIL SEAL	1	1						N
		(A=EZZZZZ) (B=EZZZZZ)									
4	2	129150-14200	TAPPET	6	6						
5	2	129129-14580	CAMSHAFT ASSY	1	1						
6	2	129004-21002	CRANKSHAFT ASSY	1	1						
7	2	129005-22080	PISTON ASSY	3	3						
8	2	129202-22300	PIN, PISTON	3	3						
9	2	729402-23100	ROD ASSY, CONNECTING	3	3						
10	2	119802-25101	GEAR ASSY, IDLE	1	1						
11	2	22252-000260	RING, 26	6	6						
12	2	26106-080142	BOLT, 8 X14	2	2						

NOT ILLUSTRATED

Remarks
 * NOT ILLUSTRATED.

Part Number Index

All parts are stipulated in the order of part numbers.

(Depending on the area in which the part is used.)

This index will display the location of the part according to each part number.

PARTS No. INDEX

PARTS No.	Fig.	Ref.No.
105025-59580	13	11
114250-39450	9	12
114250-53080	12	5
114250-53120	12	10
114250-53130	12	11
114250-53140	12	12
114250-53210	12	13
114250-53400	12	14
119131-18320	6	3
119233-77932	18	96
119256-44760	10	23
119305-59120	12	26
119593-59580	12	54
119609-32040	2	17
	16	25
119620-01750	3	3
119620-77461	15	13
119620-77471	15	14
119620-77490	15	26
119620-79200	15	8
119620-79210	15	9
119620-79220	15	10
119620-79230	15	11
119620-79250	15	6
119620-79290	15	17
119620-79300	15	18
119620-79310	15	19
119620-79320	15	20
119620-79330	15	21
119620-79340	15	22
119620-79350	15	23
119625-11880	4	32
	16	6
119626-77210	15	2
119626-77450	15	25 -1
119626-79410	15	25
119640-01640	3	9
119650-77910	15	31
119660-61901	18	59
119802-01520	2	12
119802-01560	2	13
119802-03110	4	43
119802-03120	4	44
119802-03121	4	44 -1
119802-03130	4	45
119802-03140	4	46
119802-03141	4	46 -1
119802-11260	4	6
119802-11270	4	7
119802-11280	4	8

PARTS No.	Fig.	Ref.No.
119802-11870	4	55
	16	5
119802-21201	8	5
119802-21202	8	5 -1
119802-25051	7	10
119802-25070	7	14
119802-25100	7	11
119802-25101	19	10
119802-25901	7	17
119802-32070	2	8
119802-32100	2	7
119802-32111	2	18
119802-32120	2	19
119802-32130	2	20
119802-35100	9	6
119802-35110	9	7
119802-39450	9	14
119802-49113	10	10
119802-49730	10	37
119802-51090	17	109
119802-51250	11	2
119802-51560	17	67
119802-51590	17	73
119802-51600	17	74
119802-51680	17	78
119802-51690	17	79
119802-53100	12	6
119802-55710	13	15
119802-55801	13	2
119802-59550	12	48
119802-59560	12	50
119802-77200	15	30
119802-77340	15	35
119807-61420	18	22
119865-21600	8	16
119940-77270	15	29
119940-77330	15	28
120130-11860	4	19
120270-54410	4	34
121023-01550	2	28
121111-21501	8	12
121250-44901	10	32
121400-11340	4	28
	16	11
121520-34810	9	2
121550-23200	8	30
121750-59890	13	12
121850-21680	8	11
121850-42410	10	8
121850-51960	2	21

PARTS No.	Fig.	Ref.No.
121850-51960	16	3
123501-79240	15	5
123900-13610	6	5
123900-13630	6	4
124060-01050	1	5
124060-77680	12	55
124160-01751	2	14
	4	39
124160-01910	1	7
		8
124160-11360	4	52
124160-39140	9	13
124240-01871	2	15
124395-49840	10	17
	16	16
124460-11340	4	29
	16	4
124465-44950	10	33
	16	18
124701-11911	6	7
	16	10
124722-59050	10	38
		41
	12	49
		52
124766-59050	13	5
		9
128401-77440	15	12
129001-01250	1	6
129001-01340	1	33
	16	2
129001-02930	1	25
129001-12110	5	5
	16	23
129001-32330	2	11
129001-91841	2	22
129004-01190	1	31
129004-03010	4	41
129004-03080	5	1
129004-11100	4	24
129004-11101	4	24 -1
129004-11241	4	3
129004-11251	4	4
129004-11310	4	49
	16	7
129004-11350	4	40
129004-11650	4	10
129004-11700	4	15
129004-11900	4	33
129004-12100	5	3

PARTS No.	Fig.	Ref.No.
129004-13129	6	1
129004-21001	8	1
129004-21002	8	1 -1
	19	6
129004-21650	8	9
129004-34801	9	1
129004-42001	10	1
129004-42040	10	15
129004-49610	10	35
129004-49620	10	39
129004-49711	10	36
129004-49721	10	40
129004-53001	12	2
129004-55610	13	1
129004-55801	13	2 -1
129004-59810	12	35
129004-59820	12	39
129004-59830	12	43
129005-22080	8	17
	19	7
129005-22500	8	19
129005-22900	8	35
129005-22950	8	37
129005-59830	9	15
129044-59010	13	4
129044-59100	13	6
129052-77380	15	4
129052-77422	15	7
129052-79260	15	15
129052-79270	15	16
129100-01580	3	1
		15
	8	2
129100-01640	3	16
129100-01730	3	6
129100-11110	4	25
129100-11111	4	25 -1
129100-23910	8	29
129100-35140	9	8
129100-35301	9	4
129100-42051	10	3
129100-42121	10	4
129100-55690	13	16
129100-77500	5	8
129100-77510	5	9
	16	30
129129-14580	7	3
	19	5
129136-01780	3	8
129136-77011	14	1

PARTS No. INDEX

PARTS No.	Fig.	Ref.No.
129136-77310	14	2
129136-77520	14	14
129150-01200	1	32
129150-02020	1	10
129150-02450	7	4
129150-02870	1	34
129150-02930	1	28
129150-02940	1	37
129150-03070	4	42
129150-11230	4	11
129150-11280	4	9
129150-11370	4	14
129150-11750	4	13
129150-11810	4	21
129150-13110	6	2
	16	9
129150-14101	7	7
129150-14200	7	1
	19	4
129150-14400	7	2
129150-23600	8	31
129150-23610	8	33
129150-25301	7	16
129150-35041	9	3
	16	12
129150-35042	9	3 -1
	16	12 -1
129150-35111	9	9
	16	24
129150-35153	9	10
129150-49360	10	34
	16	28
129150-49811	10	26
	16	15
129150-59120	12	30
129150-59131	12	29
		33
129150-77511	5	10
	16	8
129155-49801	10	25
129155-51280	18	5
129155-61460	18	24
129202-22300	8	23
	19	8
129211-77920	15	34
129235-01560	19	2
129240-21590	8	13
129240-35800	9	21
129242-34800	9	1 -1
129242-49450	10	31

PARTS No.	Fig.	Ref.No.
129255-61410	18	21
129350-49530	10	27
129400-77490	14	12
129400-77571	14	18
129400-92430	16	31
129403-42380	10	20
129410-03990	5	2
129418-32320	2	10
129423-77710	15	24
129486-01670	3	19
129486-42021	10	14
	16	13
129486-42140	10	16
	16	22
129486-59551	12	51
129550-42350	10	20 -1
129612-01600	3	2
129612-42330	10	21
129612-42350	10	21 -1
129612-52100	13	13
129642-61060	18	97
129648-01600	19	3 -1
129655-44740	10	22
129795-01780	3	18
129795-01800	2	6
129795-01900	15	1
129795-01950	2	16
129795-02411	1	13
129795-11120	4	26
129795-11180	4	27
129795-21661	8	10
129795-49551	10	28
	16	14
129900-07900	4	1
129900-32130	2	9
129900-77400	14	3
129900-77440	14	6
129900-77450	14	7
		11
129900-77460	14	9
129900-77480	14	10
129900-77640	14	19
129906-55700	13	14
129916-49740	10	13
129916-59020	17	126
129950-59311	13	8
129961-59110	13	10
158552-51151	7	18
158552-51570	17	68
		69

PARTS No.	Fig.	Ref.No.
158552-51580	17	72
158552-51600	17	83
158552-51670	17	4
158552-51780	17	91
158552-52100	17	98
158552-52310	17	99
158552-52400	17	114
158552-61441	18	23
158552-61900	18	82 -1
158553-51551	17	65
158553-51630	17	84
158553-51640	17	86
158553-51660	17	88
158553-51670	17	77
158553-51680	17	89
158553-51770	17	118
158553-61050	18	2
158553-61070	18	3
158557-51570	17	70
158560-51300	17	49
158563-51281	17	47
		48
158563-51330	17	57
158600-51270	17	46
158601-51340	17	58
158601-51550	17	66
158601-51570	17	71
158601-51650	17	87
158601-51770	17	90
158601-51790	17	92
171002-66830	18	60
171008-77450	14	8
171008-77510	14	13
171008-77540	14	15
171008-77650	14	20
171008-77660	14	24
171008-77670	14	25
171008-77750	14	31
171051-01921	1	9
171056-49120	10	43
171340-77520	5	11
719802-01500	2	1
729001-92730	16	1
729001-92840	16	1 -1
729005-01560	1	1
729235-01000	19	1
729242-51380	11	1
	17	1
	17	1
729245-53100	12	1
729402-01650	19	3

PARTS No.	Fig.	Ref.No.
729402-23100	8	25
	19	9
977770-01212	2	31
	3	21
	4	56
	16	32
X2114255110	14	5
X2114555500	14	21
X2114955020	14	22
X2130350900	14	4
X2240410100	14	23
X9490561001	15	3



YANMAR CO., LTD.