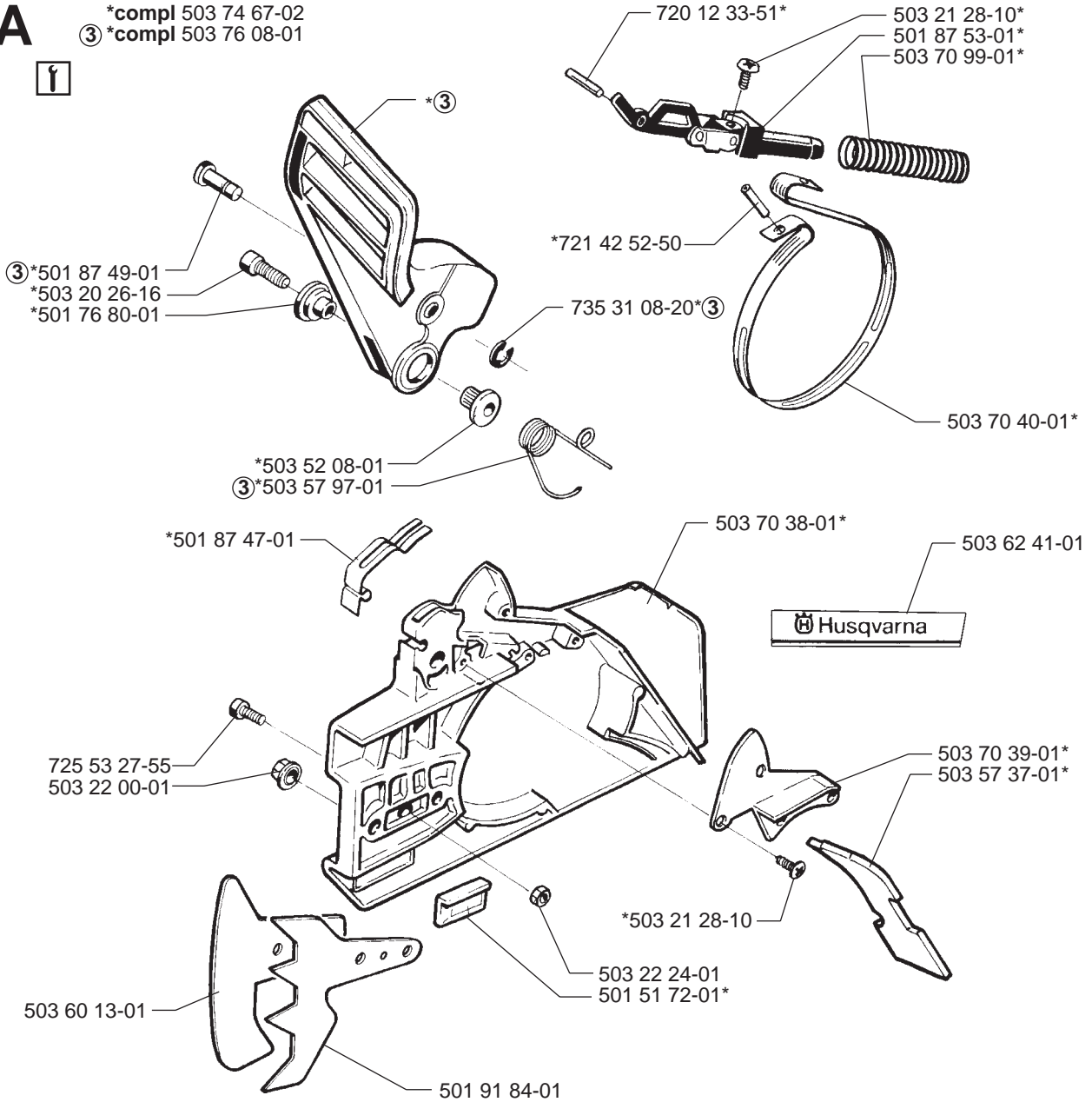


281, 288, 288 EPA

Spare parts	Replaces	
Ersatzteile	Ersetzt	
Pièces détachées	Remplace	
Reserve onderdelen	Vervangt	
Repuestos	Reemplaza	
Reservdelar	Ersätter	106 23 51-63

A

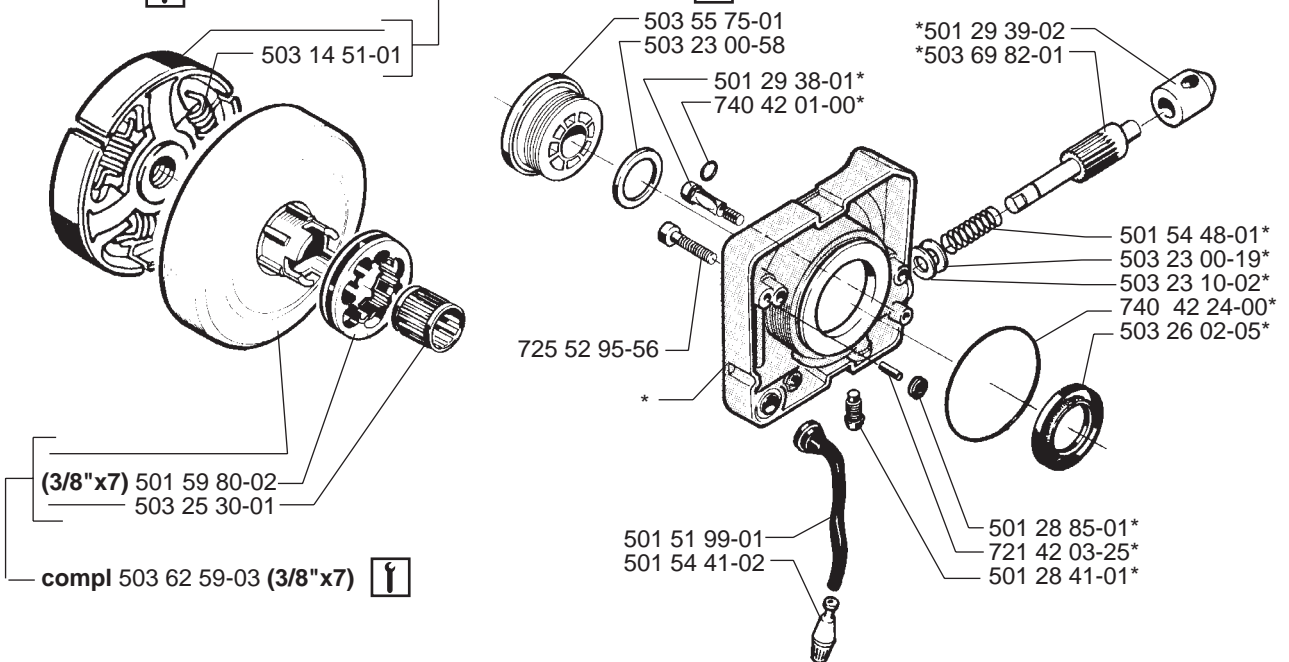
*compl 503 74 67-02
 ③ *compl 503 76 08-01



J

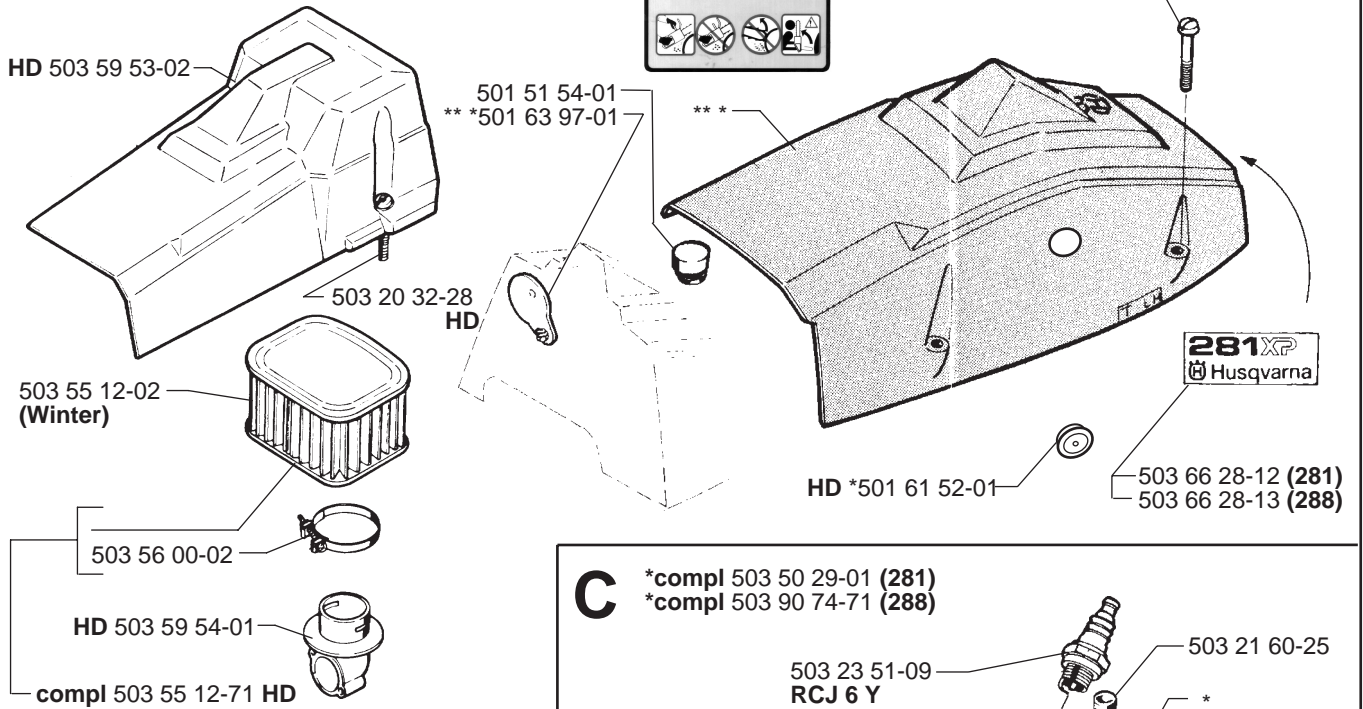
① compl 503 70 15-01

① *compl 503 69 81-01

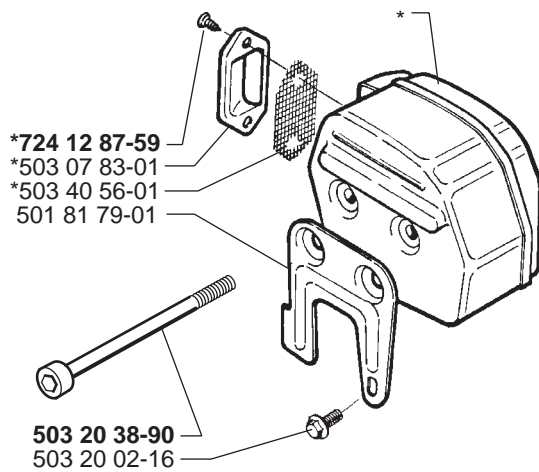


B

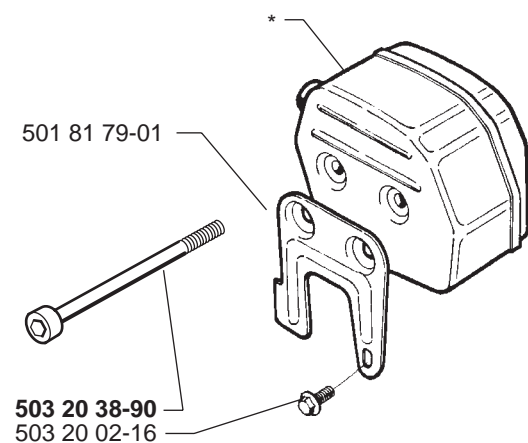
*compl 501 80 59-02 (281)
 **compl 501 80 59-04 (288)
 compl 503 61 76-03 (HD)

**F**

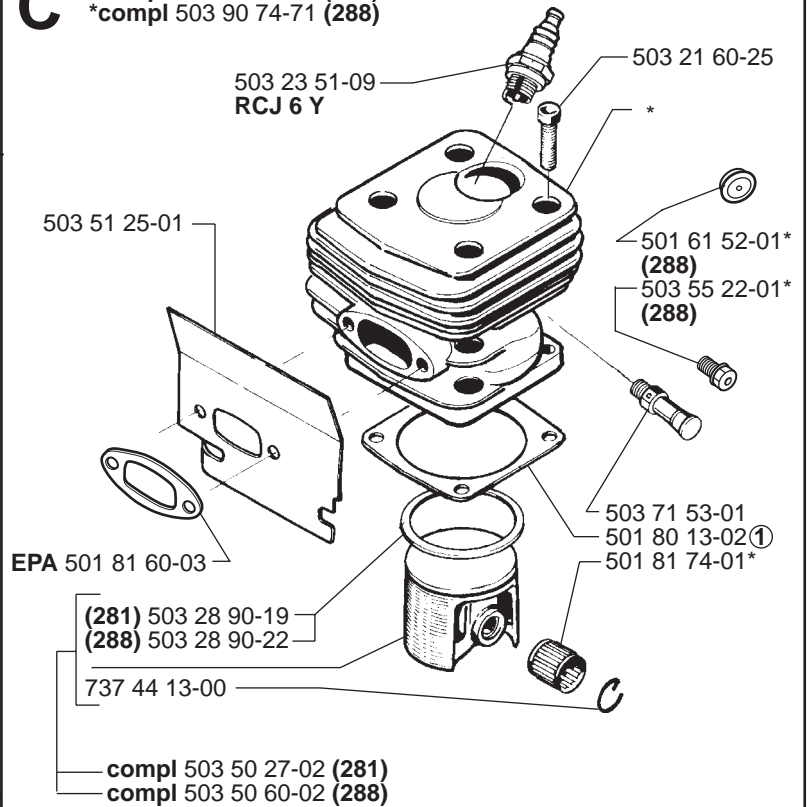
*compl 503 59 15-01 (FF)

**G**

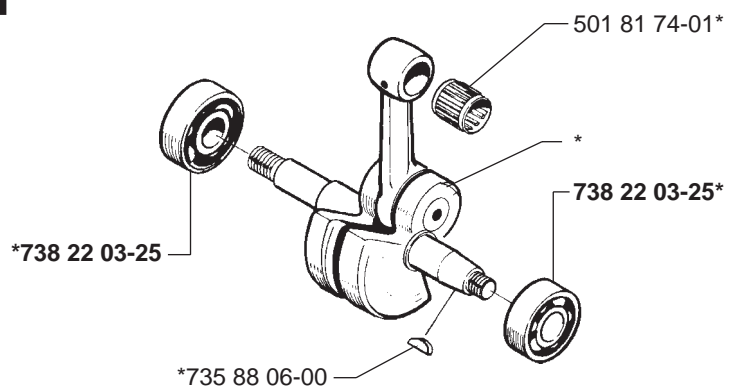
*compl 501 81 68-01 (Tube)
 *compl 501 81 68-02 (DJ)

**C**

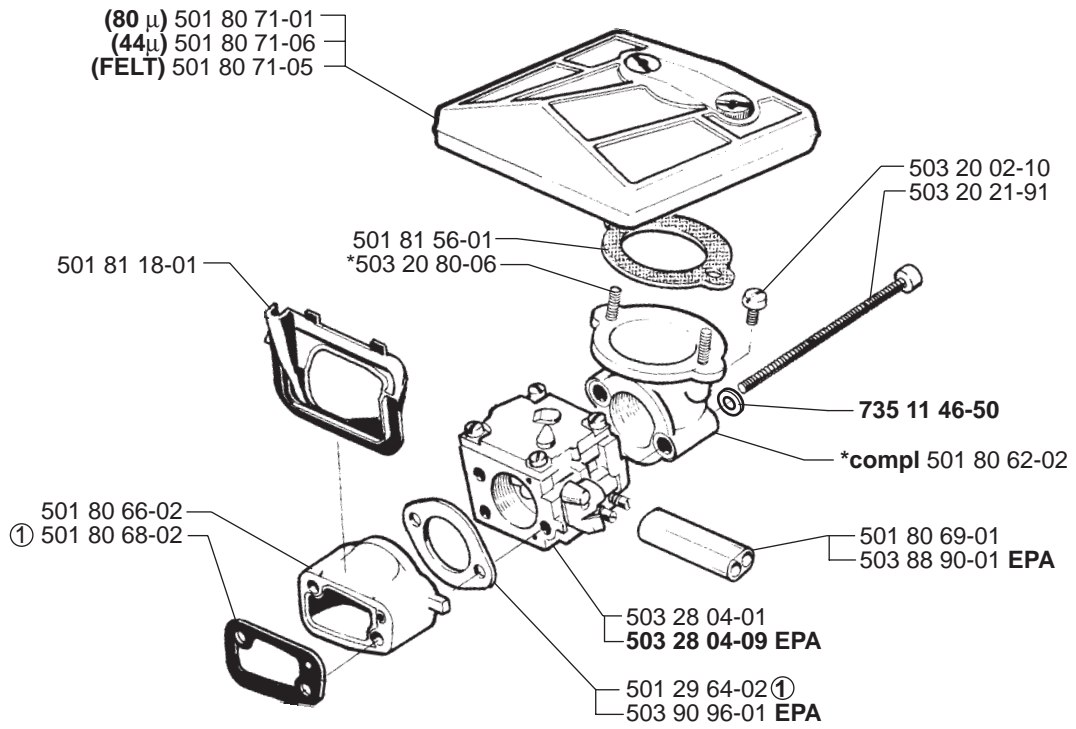
*compl 503 50 29-01 (281)
 *compl 503 90 74-71 (288)

**H**

*compl 501 81 49-01

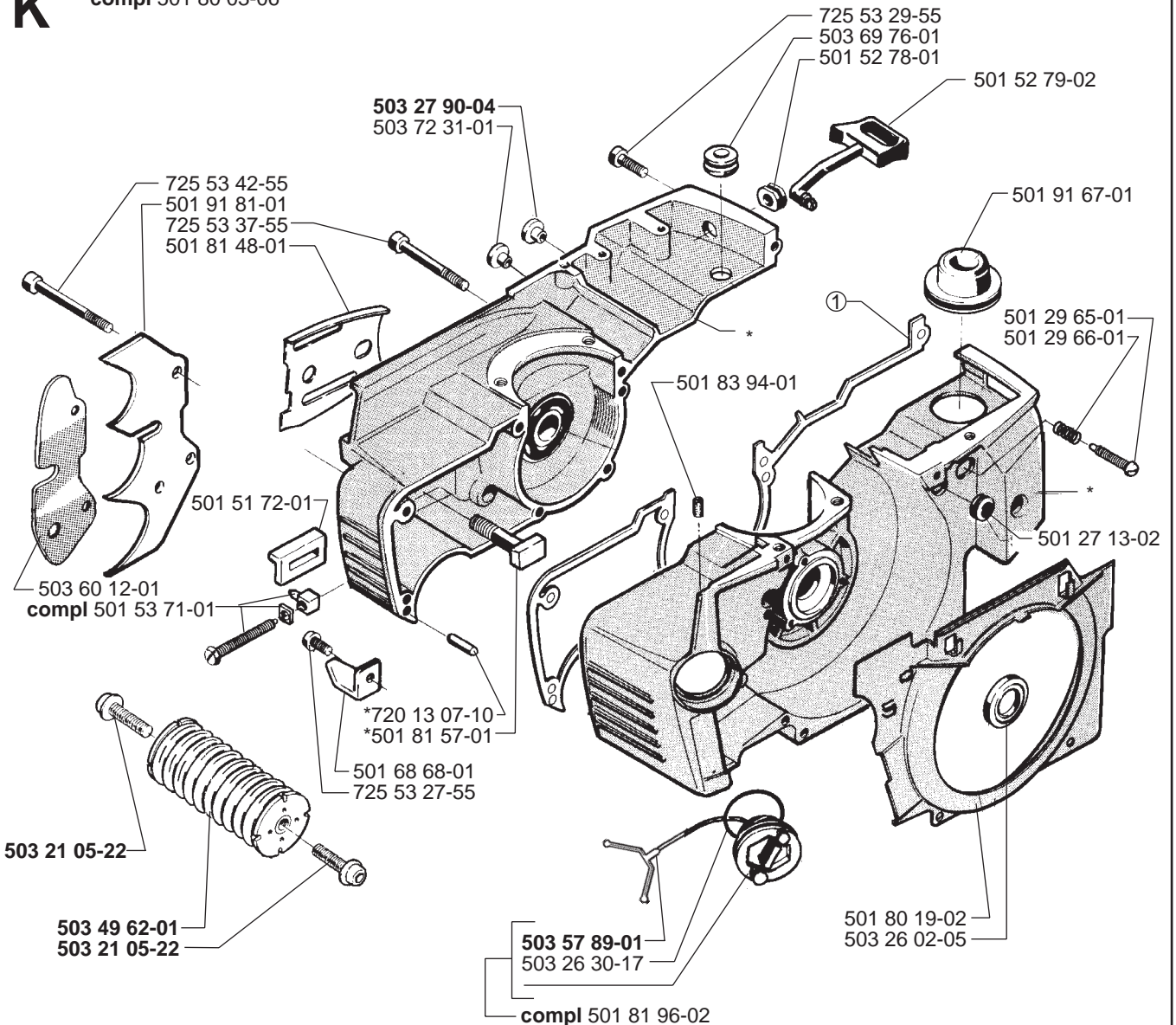


D

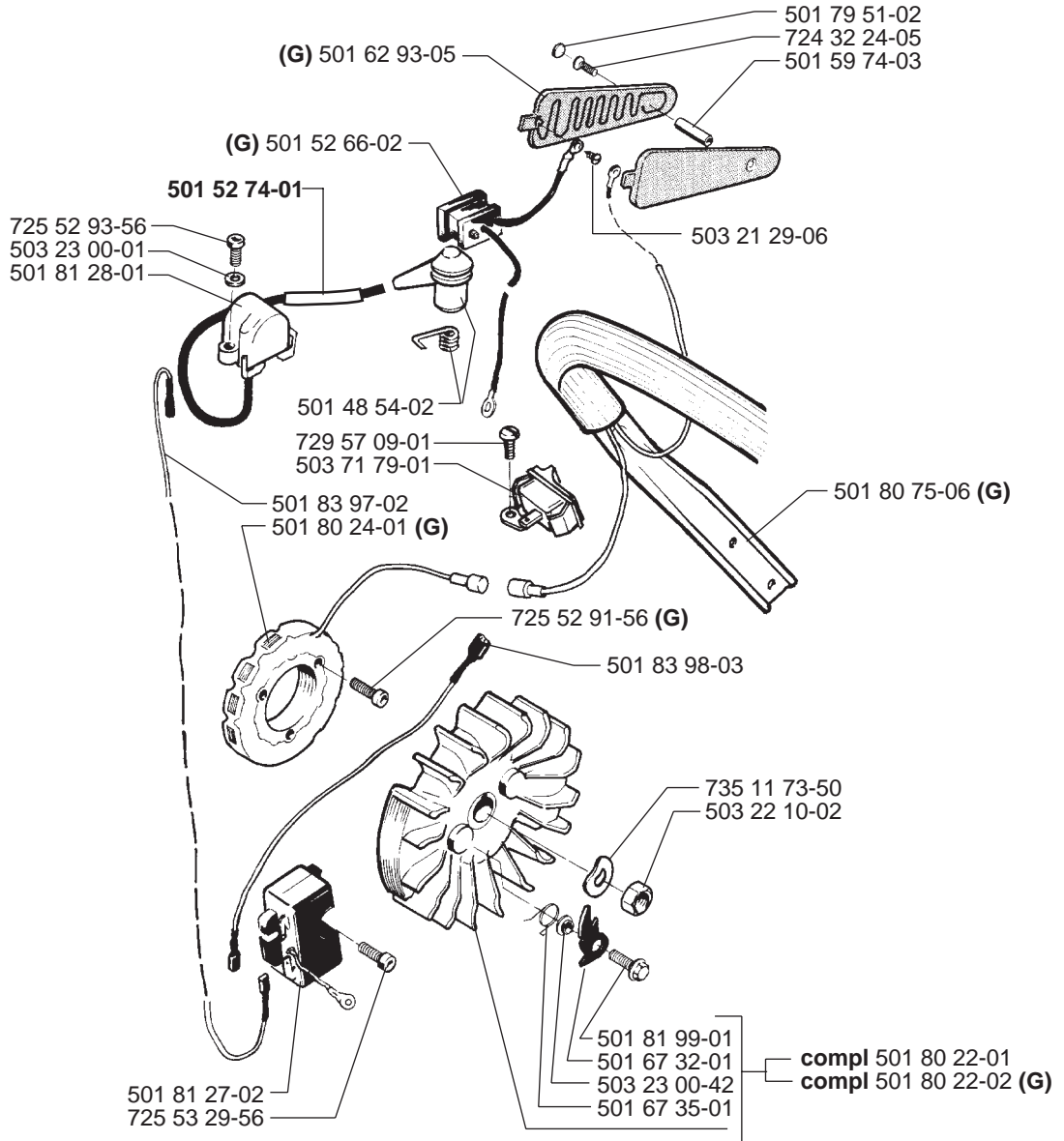


K

*compl 501 80 03-06

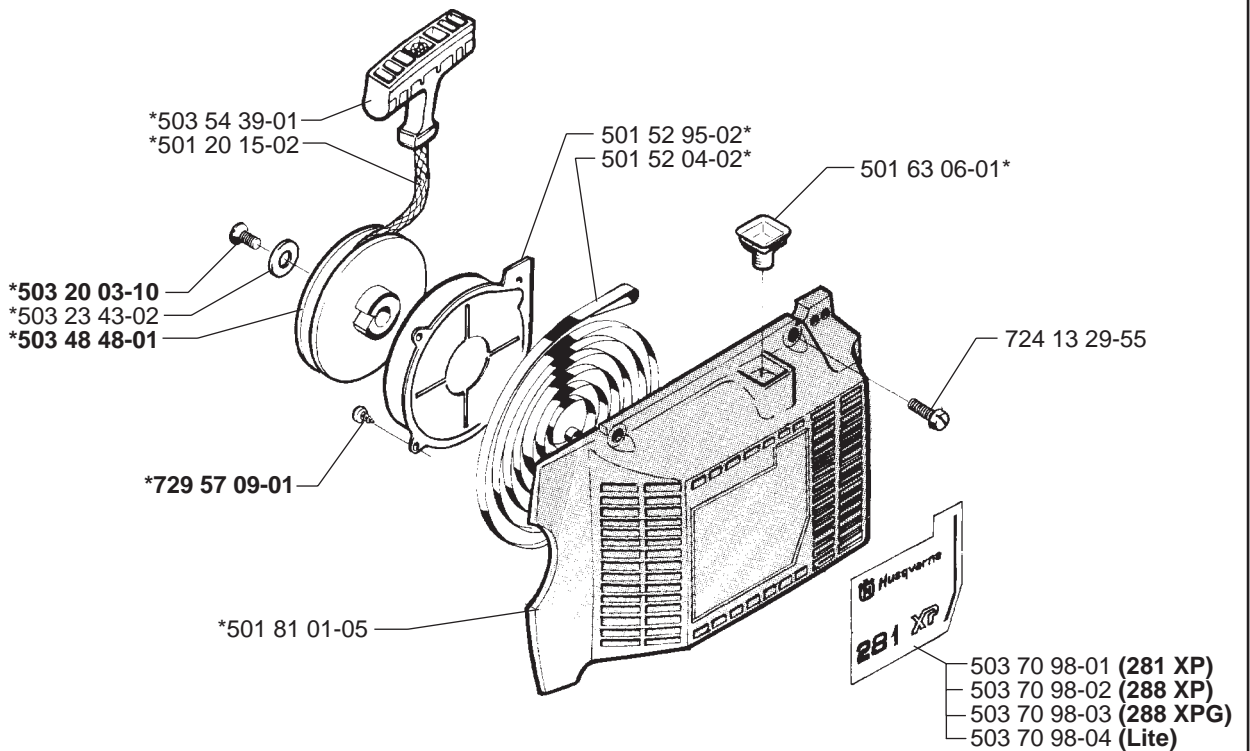


L



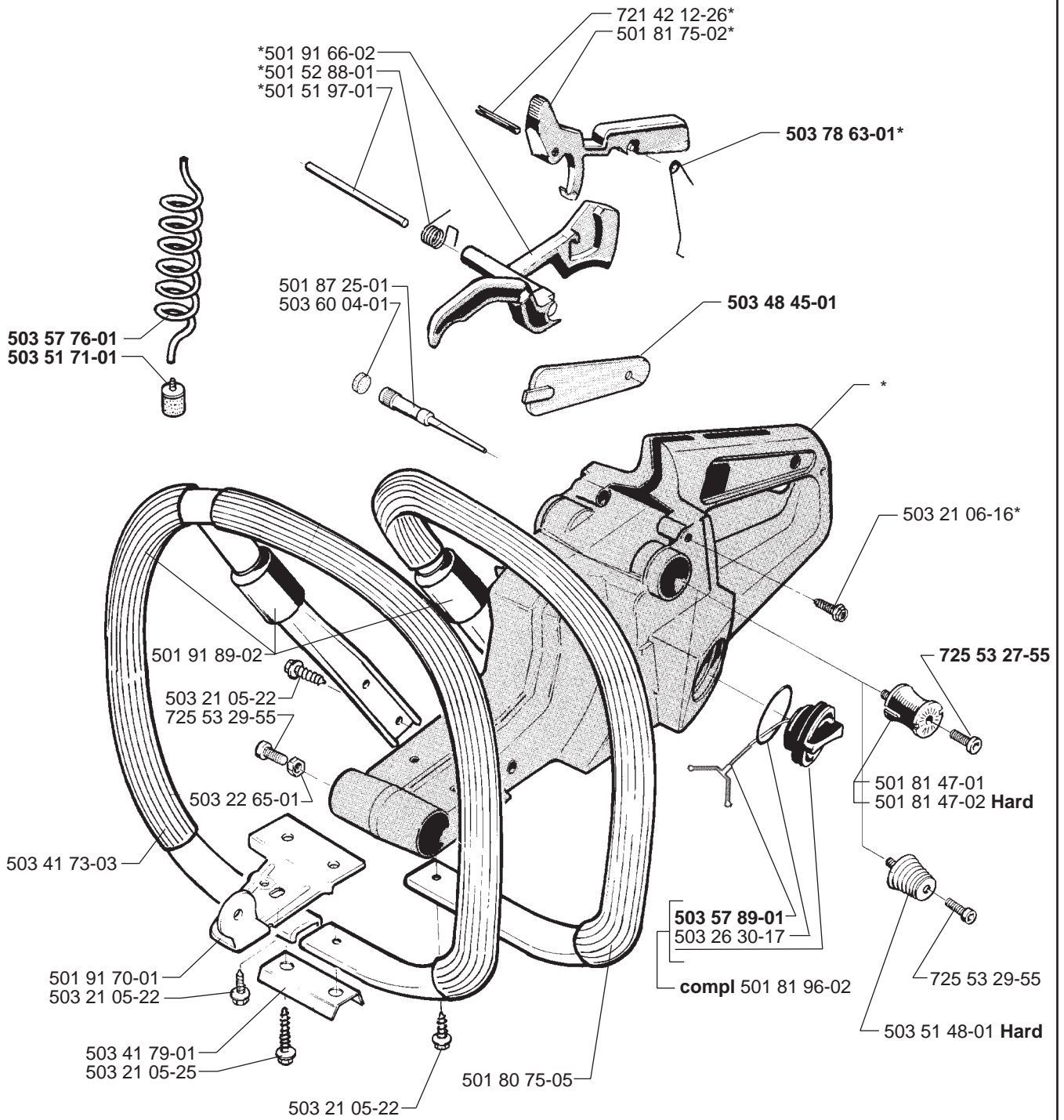
M

*compl 501 81 00-06



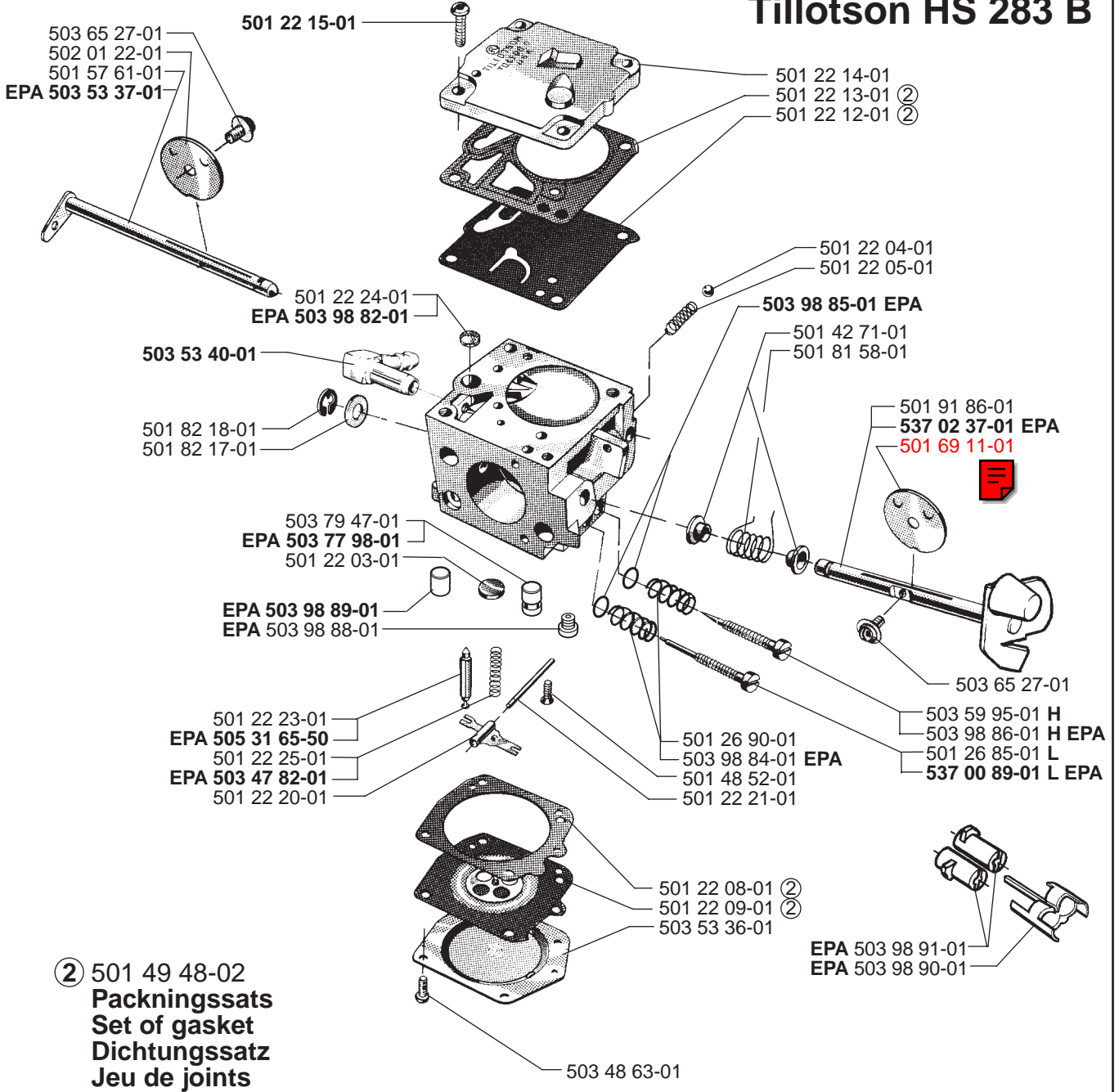
E

*compl 501 80 91-05



N compl 503 28 04-01
 compl 503 28 04-09 EPA

Tillotson HS 228 C Tillotson HS 283 B



P *compl 503 55 85-01

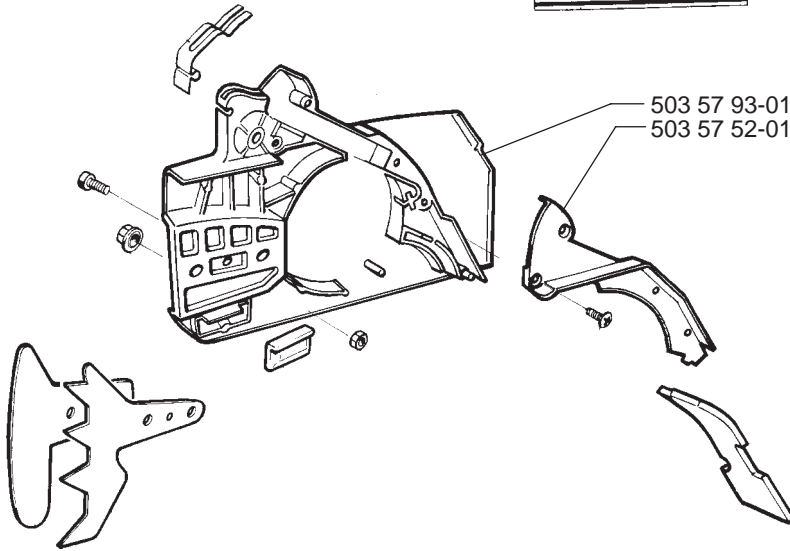
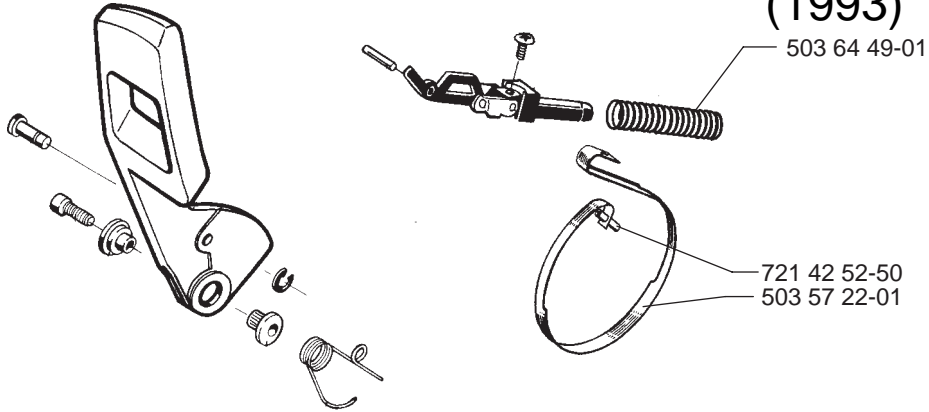
Tillbehör Accessories Accessoires Zubehör



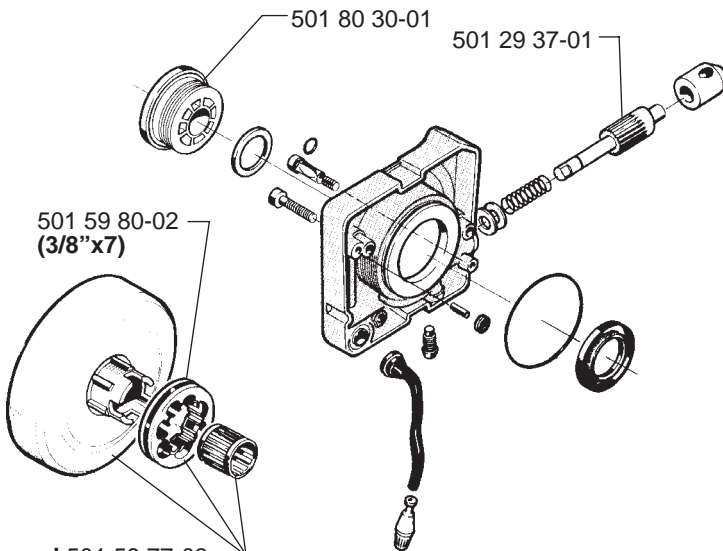
R



Up to 3340001-281
Up to 3350001-288
(1993)

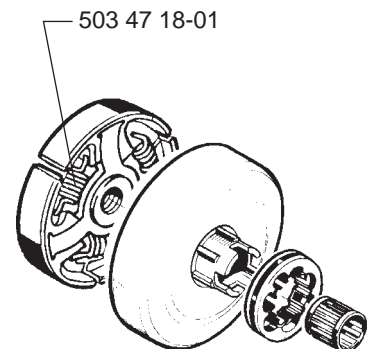


Up to 3340001-281 (1993)
Up to 3350001-288



compl 501 59 77-03

Up to 4220001-281
Up to 4250001-288
(1994)



MODEL 281, 288, 288 EPA

PART NUMBER	SQUARE NOTE	PART NUMBER	SQUARE NOTE	PART NUMBER	SQUARE NOTE	PART NUMBER	SQUARE NOTE
501 20 15-02	M	501 80 68-02	D 1	503 23 00-58	J	503 70 98-02	M
501 22 03-01	N	501 80 69-01	D	503 23 10-02	J	503 70 98-03	M
501 22 04-01	N	501 80 71-01	D	503 23 43-02	M	503 70 98-04	M
501 22 05-01	N	501 80 71-05	D	503 23 51-09	C	503 70 99-01	A
501 22 08-01	N 2	501 80 71-06	D	503 25 30-01	J	503 71 53-01	C
501 22 09-01	N 2	501 80 75-05	E	503 26 02-05	JK	503 71 79-01	L
501 22 12-01	N 2	501 80 75-06	L	503 26 30-17	EK	503 72 31-01	K
501 22 13-01	N 2	501 80 91-05	E	503 27 90-04	K N	503 74 67-02	A
501 22 14-01	N	501 81 00-06	M	503 28 04-01	DN	503 76 08-01	A
501 22 15-01	N N	501 81 01-05	M	503 28 04-09	DN N EPA	503 77 98-01	N N EPA
501 22 20-01	N	501 81 18-01	D	503 28 90-19	C	503 78 63-01	E N
501 22 21-01	N	501 81 27-02	L	503 28 90-22	C	503 79 47-01	N
501 22 23-01	N	501 81 28-01	L	503 40 56-01	F	503 88 90-01	D EPA
501 22 24-01	N	501 81 34-02	1 COMPL	503 41 73-03	E	503 90 74-71	C
501 22 25-01	N	501 81 47-01	E	503 41 79-01	E	503 90 96-01	D EPA
501 26 85-01	N	501 81 47-02	E	503 47 18-01	R	503 98 74-01	B N
501 26 90-01	N	501 81 48-01	K	503 47 82-01	N N EPA	503 98 82-01	N N EPA
501 27 13-02	K	501 81 49-01	H	503 48 45-01	E N	503 98 84-01	N EPA
501 28 41-01	J	501 81 56-01	D	503 48 48-01	M N	503 98 85-01	N N EPA
501 28 85-01	J	501 81 57-01	K	503 48 63-01	N	503 98 86-01	N EPA
501 29 37-01	R	501 81 58-01	N	503 49 62-01	K N	503 98 88-01	N EPA
501 29 38-01	J	501 81 60-03	C EPA	503 50 27-02	C	503 98 89-01	N N EPA
501 29 39-02	J	501 81 68-01	G	503 50 29-01	C	503 98 90-01	N EPA
501 29 64-02	D 1	501 81 68-02	G	503 50 60-02	C	503 98 91-01	N EPA
501 29 65-01	K	501 81 74-01	CH	503 51 25-01	C	505 31 65-50	N N EPA
501 29 66-01	K	501 81 75-02	E	503 51 48-01	E	537 00 89-01	N N EPA
501 42 71-01	N	501 81 79-01	FG	503 51 71-01	E N	537 02 37-01	N N EPA
501 48 52-01	N	501 81 96-02	EK	503 52 08-01	A	720 12 33-51	A
501 48 54-02	L	501 81 99-01	L	503 53 36-01	N	720 13 07-10	K
501 49 48-02	N 2 COMPL	501 82 17-01	N	503 53 37-01	N N EPA	721 42 03-25	J
501 51 54-01	B	501 82 18-01	N	503 53 40-01	N N	721 42 12-26	E
501 51 72-01	AK	501 83 94-01	K	503 54 39-01	M	721 42 52-50	AR
501 51 97-01	E	501 83 97-02	L	503 55 12-02	B	724 12 87-59	F N
501 51 99-01	J	501 83 98-03	L	503 55 12-71	B	724 13 29-55	M
501 52 04-02	M	501 87 25-01	E	503 55 22-01	C	724 32 24-05	L
501 52 66-02	L	501 87 47-01	A	503 55 75-01	J	725 52 91-56	L
501 52 74-01	L N	501 87 49-01	A	503 55 85-01	P	725 52 93-56	L
501 52 78-01	K	501 87 53-01	A	503 55 86-01	P	725 52 95-56	J
501 52 79-02	K	501 91 14-01	P	503 55 86-02	P	725 53 27-55	AEK
501 52 88-01	E	501 91 66-02	E	503 56 00-02	B	725 53 29-55	EK
501 52 95-02	M	501 91 67-01	K	503 57 22-01	R	725 53 29-56	L
501 53 71-01	K	501 91 70-01	E	503 57 37-01	A	725 53 37-55	K
501 54 41-02	J	501 91 81-01	K	503 57 52-01	R	725 53 42-55	K
501 54 48-01	J	501 91 84-01	A	503 57 76-01	E N	729 57 09-01	LM
501 57 61-01	N	501 91 86-01	N	503 57 89-01	EK N	735 11 46-50	D N
501 59 74-03	L	501 91 89-02	E	503 57 93-01	R	735 11 73-50	L
501 59 77-03	R	502 01 22-01	N	503 57 97-01	A	735 31 08-20	A
501 59 80-02	JR	503 07 83-01	F	503 59 15-01	F	735 88 06-00	H
501 61 52-01	BC	503 14 51-01	J	503 59 53-02	B	737 44 13-00	J
501 62 93-05	L	503 20 02-10	DK	503 59 54-01	B	738 22 03-25	H N
501 63 06-01	M	503 20 02-16	FG	503 59 95-01	N	740 42 01-00	J
501 63 97-01	B	503 20 03-10	M N	503 60 04-01	E	740 42 24-00	J
501 67 32-01	L	503 20 21-91	D	503 60 12-01	K		
501 67 35-01	L	503 20 26-16	A	503 60 13-01	A		
501 68 68 01	K	503 20 32-28	B	503 61 76-03	B		
501 69 11-01	N	503 20 38-90	FG N	503 62 12-01	P		
501 69 17-01	P	503 20 80-06	D	503 62 41-01	A		
501 76 80 01	A	503 21 05-22	EK	503 62 59-03	J		
501 79 51-02	L	503 21 05-25	E	503 64 49-01	R		
501 80 03-06	K	503 21 06-16	E	503 65 27-01	N		
501 80 13-02	C 1	503 21 28-10	A	503 66 28-12	B		
501 80 19-02	K	503 21 29-06	L	503 66 28-13	B		
501 80 22-01	L	503 21 60-25	C	503 69 76-01	K		
501 80 22-02	L	503 22 00-01	A	503 69 81-01	J		
501 80 24-01	L	503 22 10-02	L	503 69 82-01	J		
501 80 30-01	R	503 22 24-01	A	503 70 15-01	J		
501 80 59-02	B	503 22 65-01	E	503 70 38-01	A		
501 80 59-04	B	503 23 00-01	L	503 70 39-01	A		
501 80 62-02	D	503 23 00-19	J	503 70 40-01	A		
501 80 66-02	D	503 23 00-42	L	503 70 98-01	M		

1 = 501 81 34-02 Set of gaskets
 2 = 501 49 48-02 Dichtungssatz
 Jeu de joints
 Juego de juntas
 Packningssats

N = New part
 Neues teil
 Nouvelle piece
 Nueva pieza
 Ny detalj

EPA = Environmental Protection Agency