

143RII

Spare parts

Ersatzteile

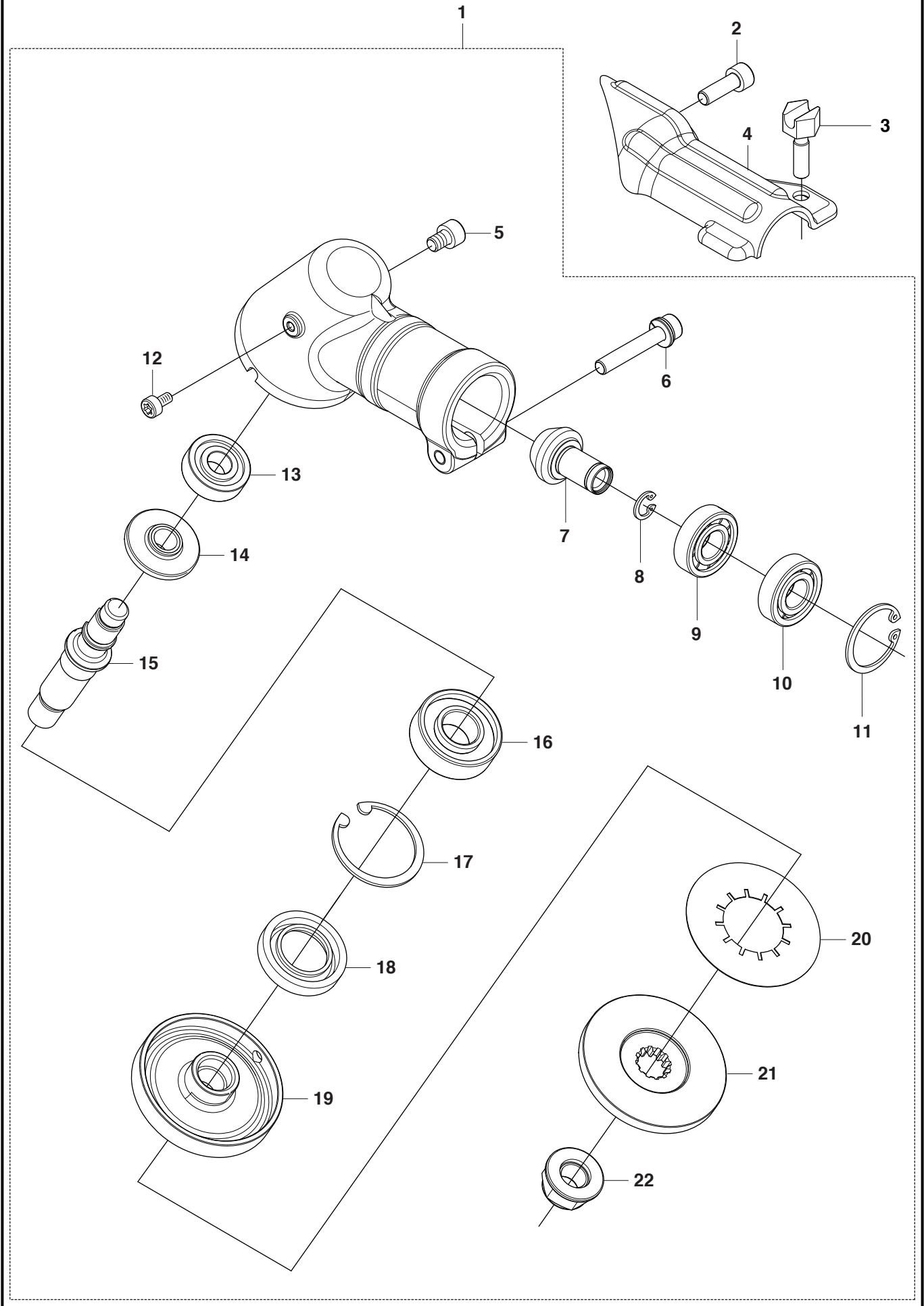
Pièces détachées

Reserve onderdelen

Repuestos

Reservdelar

A 143R11
GEAR



Page A 143RII GEAR				
Position	Article	Quantity	Notes	Kit
1	525 34 86-01			
2	521 74 65-01	1		
3	537 18 95-01	1		
4	510 24 10-01	1		
5	521 86 20-01	1		1
6	521 86 24-01	1		1
7	525 34 89-01	1		1
8	516 12 41-01	1		1
9	516 12 79-01	1		1
10	516 13 00-01	1		1
11	506 60 99-01	1		1
12	521 86 08-01	1		1
13	516 12 78-01	1		1
14	525 34 88-01	1		1
15	525 34 87-01	1		1
16	516 13 17-01	1		1
17	505 29 40-01	1		1
18	521 52 22-01	1		1
19	525 34 90-01	1		1
20	521 65 60-01	1		1
21	521 66 22-01	1		1
22	502 29 11-01	1		1

B 143RII
TUBE & SHAFT

4

2

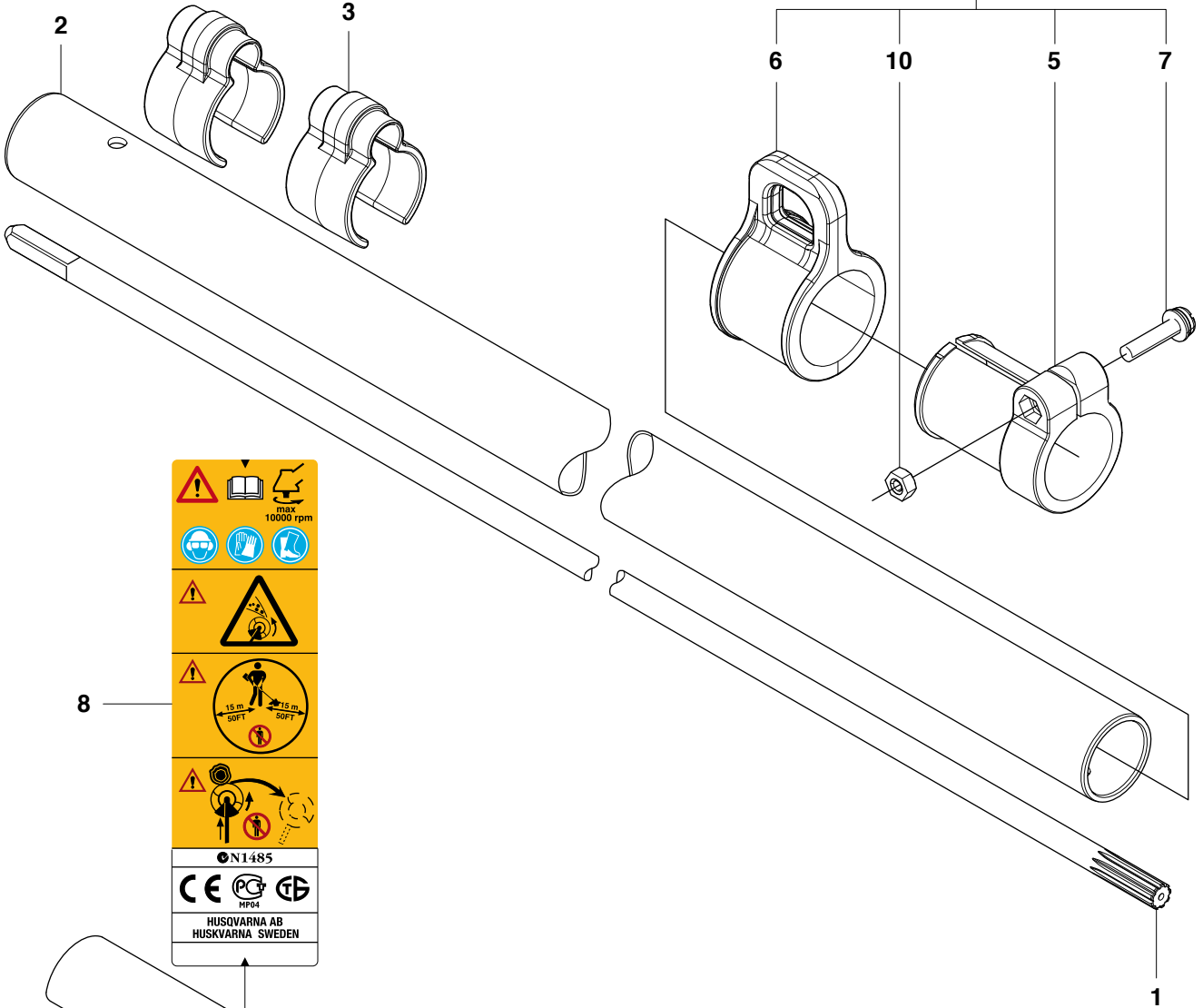
3

6

10

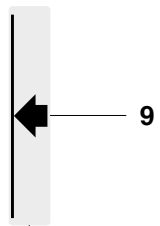
5

7



8

1

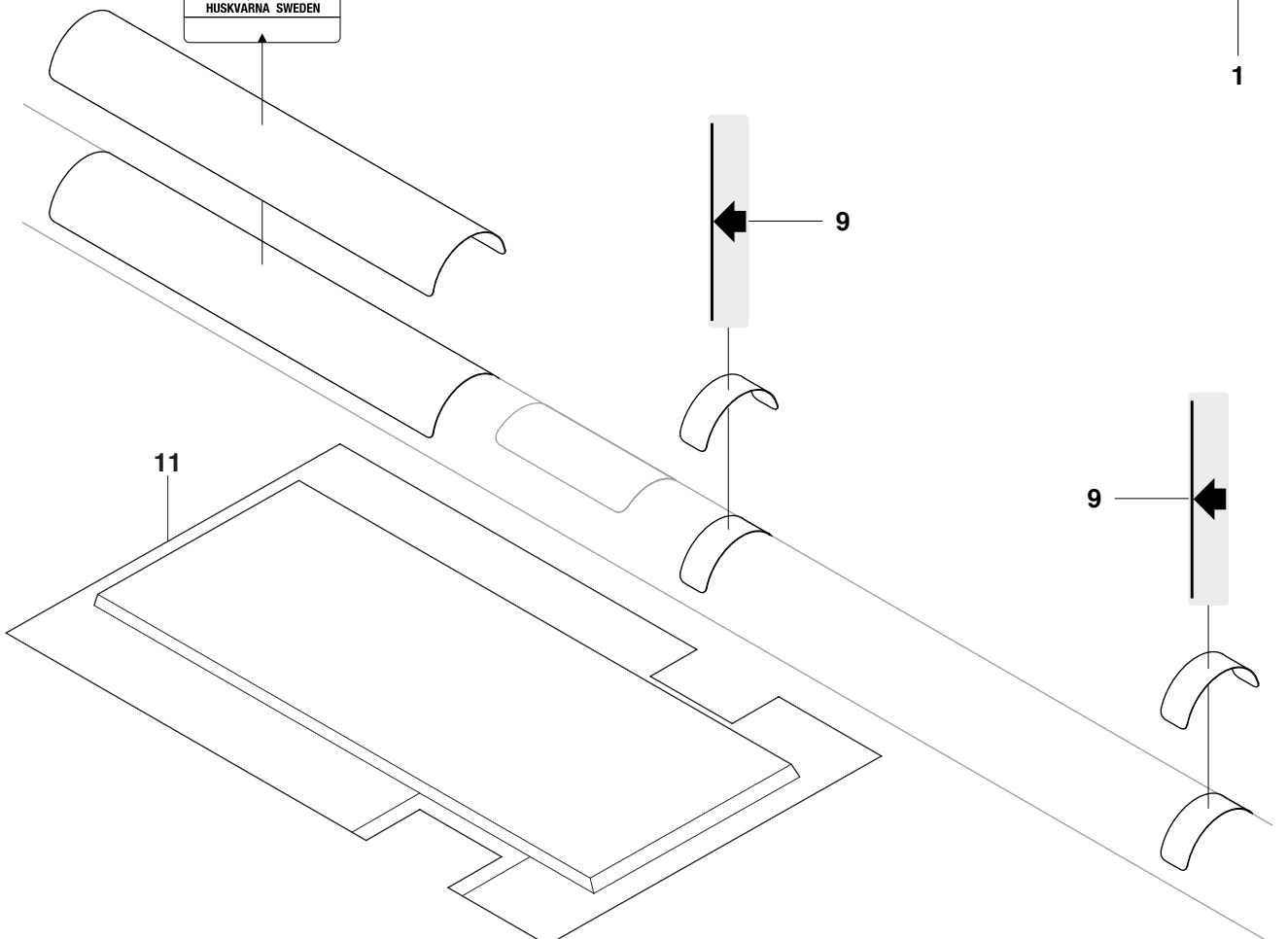


9



9

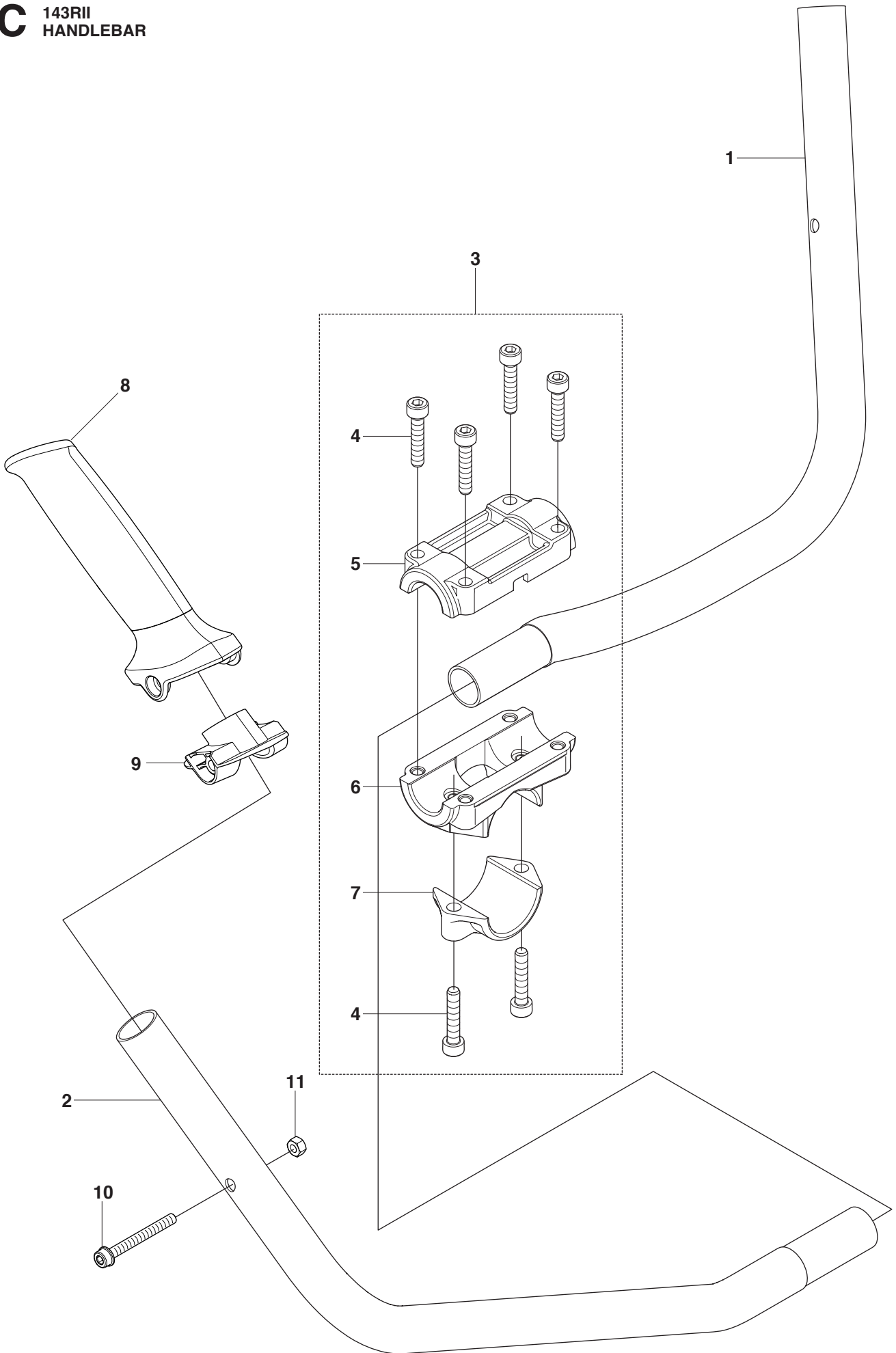
11



Page B 143RII TUBE & SHAFT

Position	Article	Quantity	Notes	Kit
1	505 29 44-01	1		
2	505 29 43-01	1		
3	505 29 52-01	2		
4	505 29 53-01	1		
5	505 29 54-01	1		4
6	505 29 55-01	1		4
7	505 29 57-01	1		4
8	544 33 08-01	1		
9	505 29 58-01	1		
10	731 23 14-01	1		4
11	522 98 64-01	1		

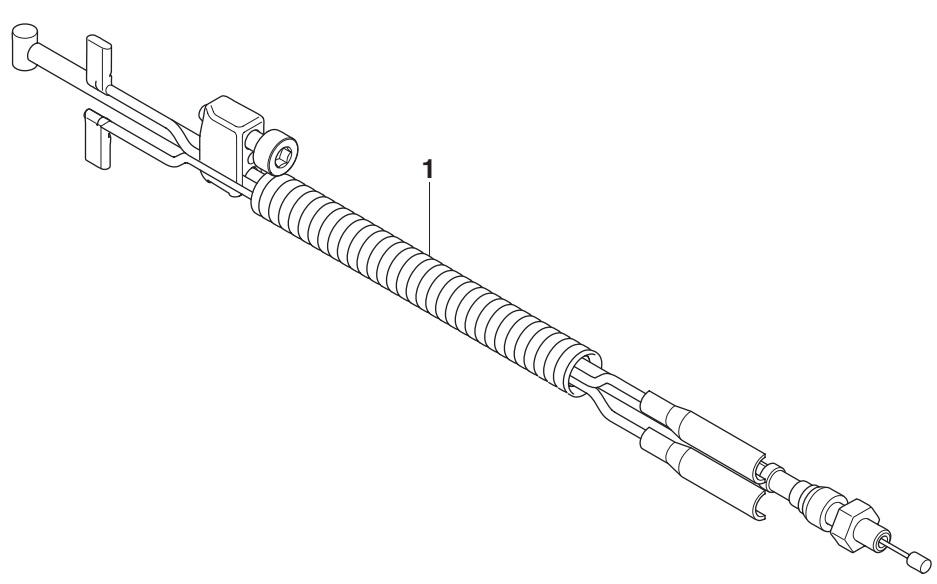
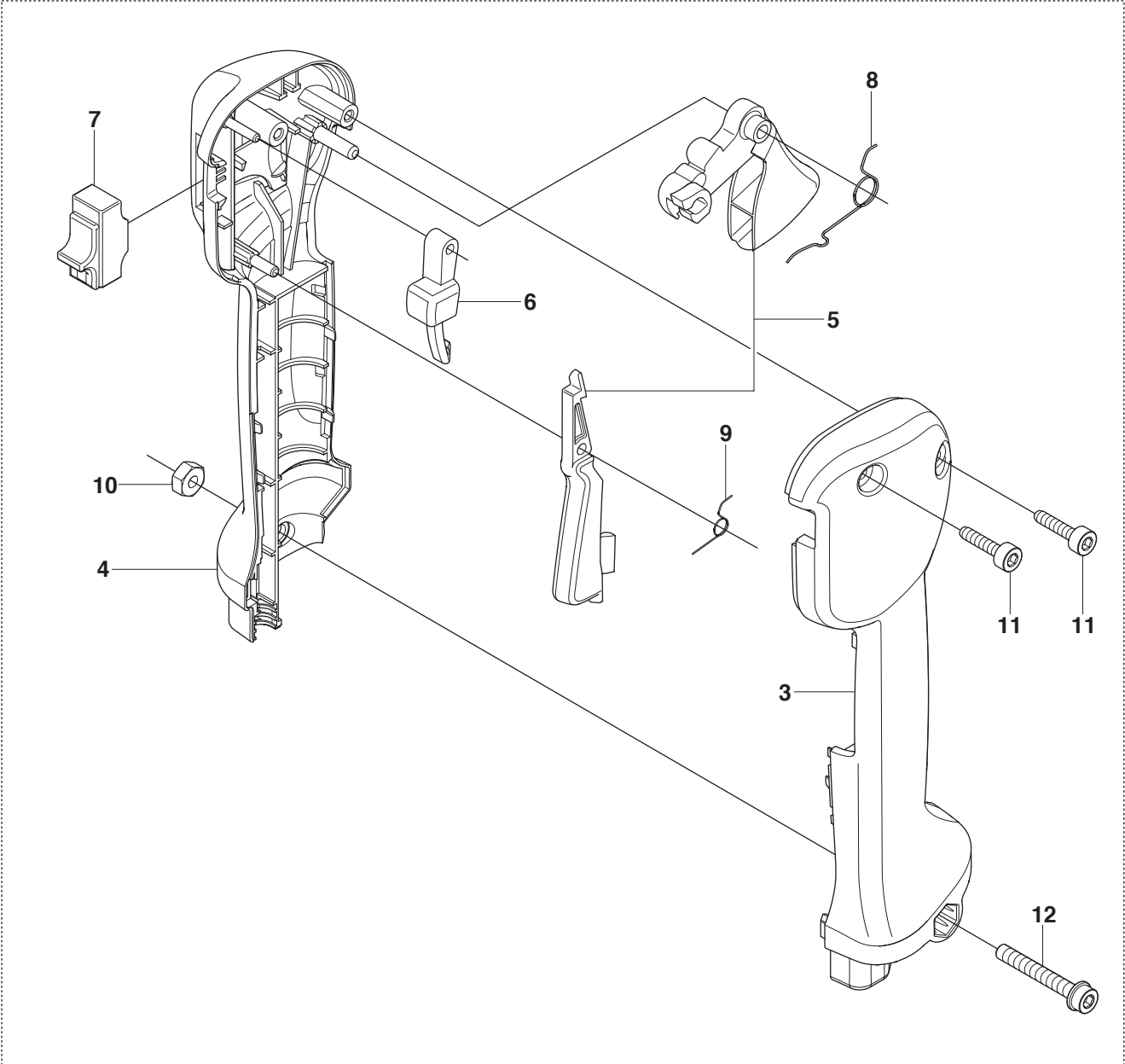
C 143R11
HANDLEBAR



Page C 143R11 HANDLEBAR

Position	Article	Quantity	Notes	Kit
1	505 31 29-01	1		
2	505 31 59-01	1		
3	505 29 46-01	1		
4	725 53 33-55	6	Screw M5x25	3
5	505 29 49-01	1		3
6	505 29 47-01	1		3
7	505 29 48-01	1		3
8	537 17 28-01	1		
9	537 17 29-01	1		
10	503 20 02-45	1		
11	731 23 14-01	1		

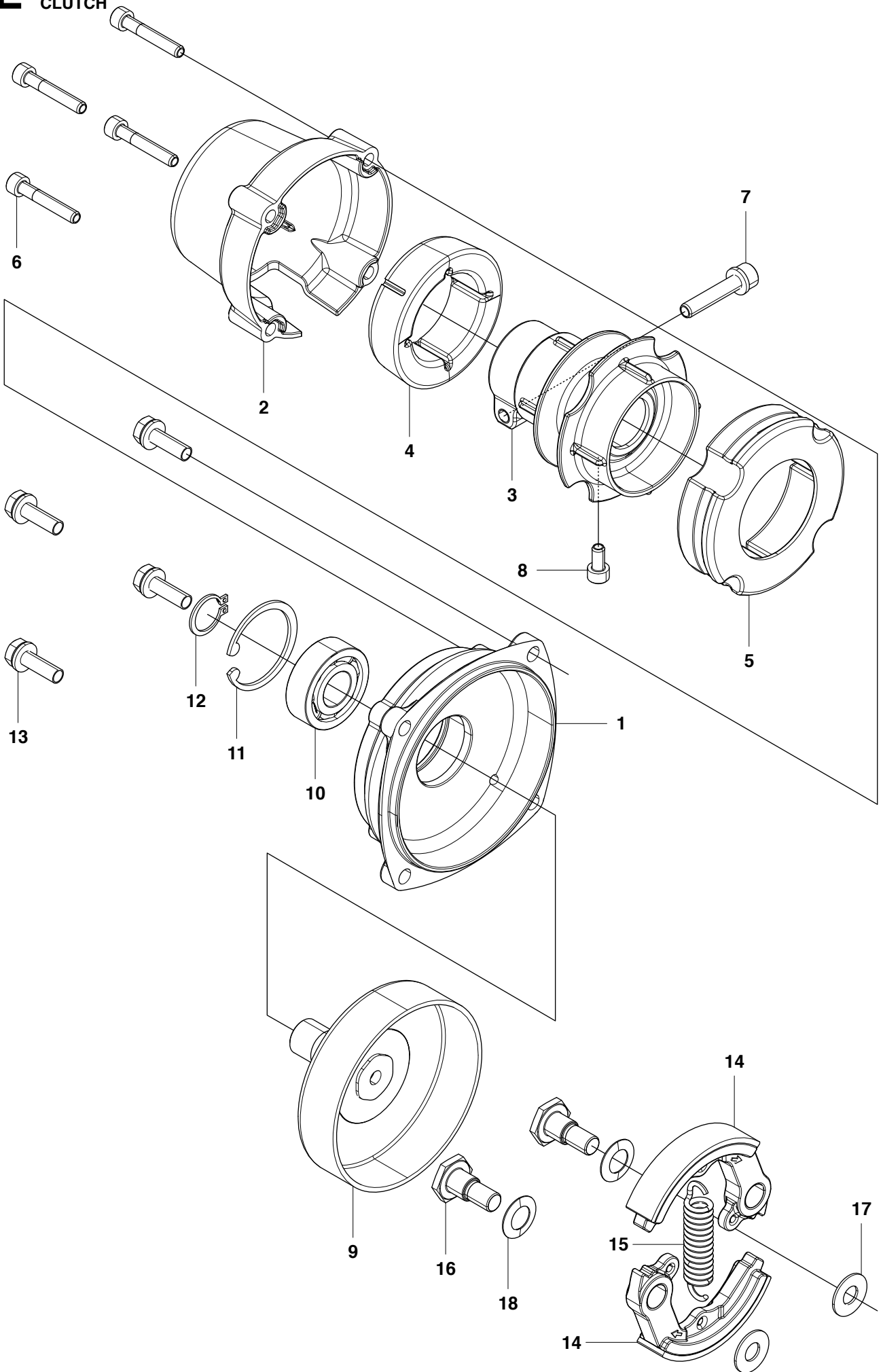
D 143R11
THROTTLE HANDLE



Page D 143R11 THROTTLE HANDLE

Position	Article	Quantity	Notes	Kit
1	522 03 66-01	1		
2	537 18 35-07	1		
3	537 16 03-02	1		2
4	537 16 02-09	1		2
5	506 49 77-01	1		2
6	537 16 07-03	1		2
7	503 71 82-01	1		2
8	537 17 42-01	1		2
9	537 17 43-01	1		2
10	503 22 10-13	1		2
11	503 21 66-74	2		2
12	503 20 07-82	1		2

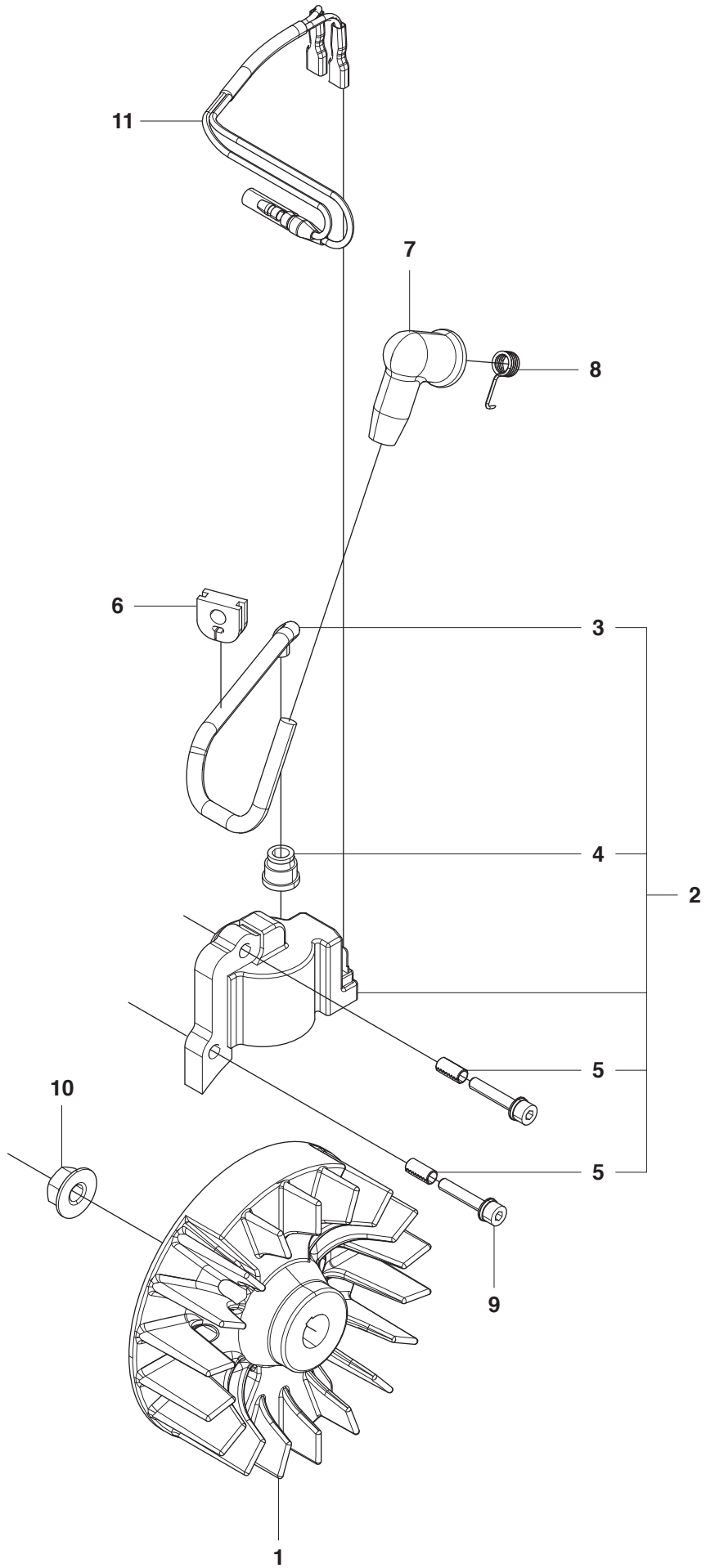
E 143R11
CLUTCH



Page E 143R11 CLUTCH

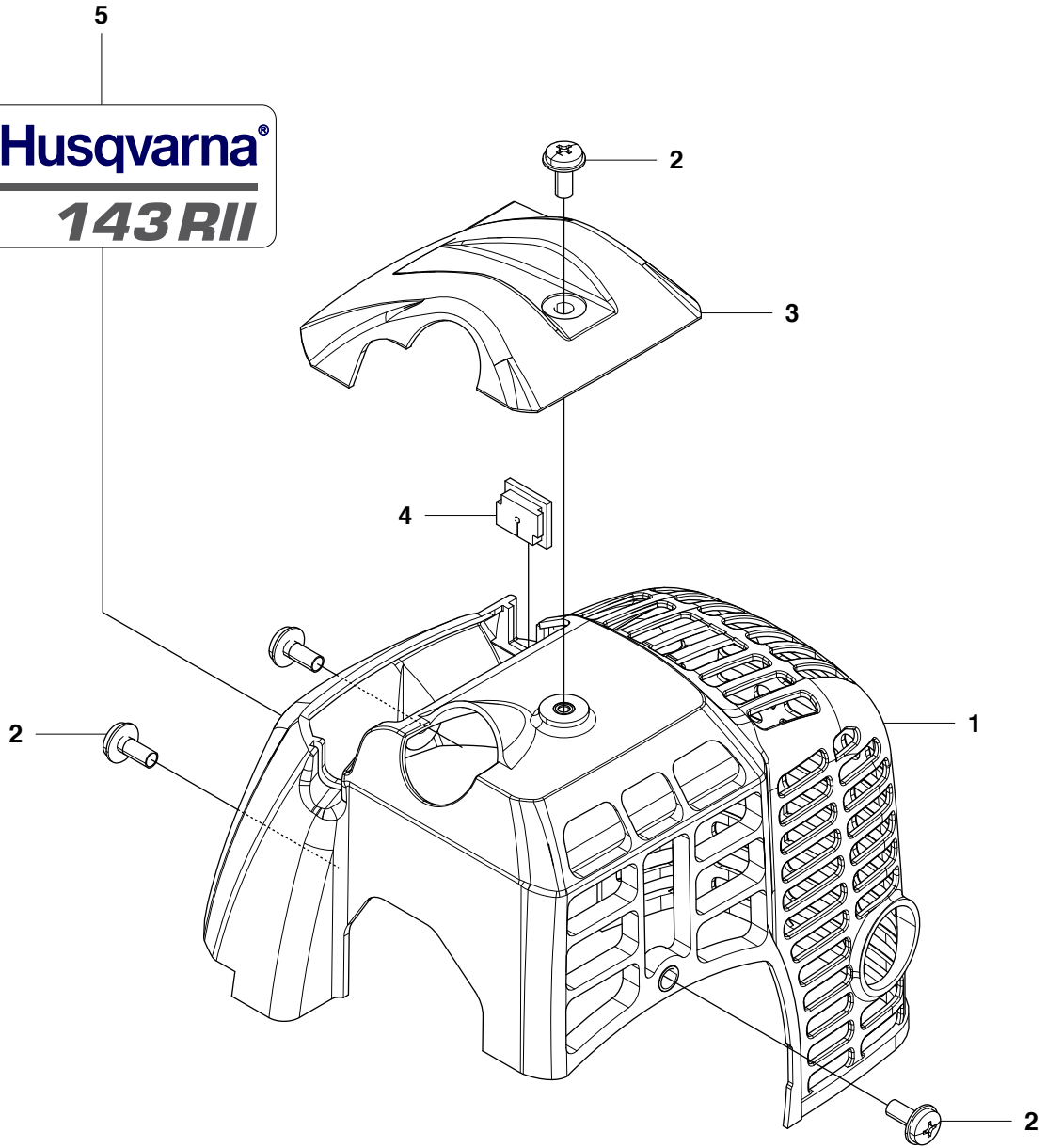
Position	Article	Quantity	Notes	Kit
1	505 29 29-01	1		
2	505 29 30-01	1		
3	505 29 32-01	1		
4	505 29 33-01	1		
5	505 29 34-01	1		
6	725 53 35-55	4		
7	725 53 74-55	1		
8	725 53 25-55	1		
9	505 29 38-01	1		
10	738 22 02-29	1		
11	505 29 40-01	1		
12	735 31 16-00	1		
13	505 31 24-01	4		
14	505 29 76-01	2		
15	505 29 77-01	1		
16	505 29 78-01	2		
17	505 29 80-01	2		
18	505 29 81-01	2		

F 143R11
IGNITION



Page F 143R11 IGNITION				
Position	Article	Quantity	Notes	Kit
1	505 29 82-01	1		
2	505 29 83-01	1		
3	505 29 84-01	1		2
4	505 29 85-01	1		2
5	505 29 86-01	2		2
6	505 29 87-01	1		
7	505 29 88-01	1		
8	505 29 89-01	1		
9	505 29 90-01	2		
10	505 29 91-01	1		
11	505 30 14-01	1		
11	522 89 56-01	1	From 2009	

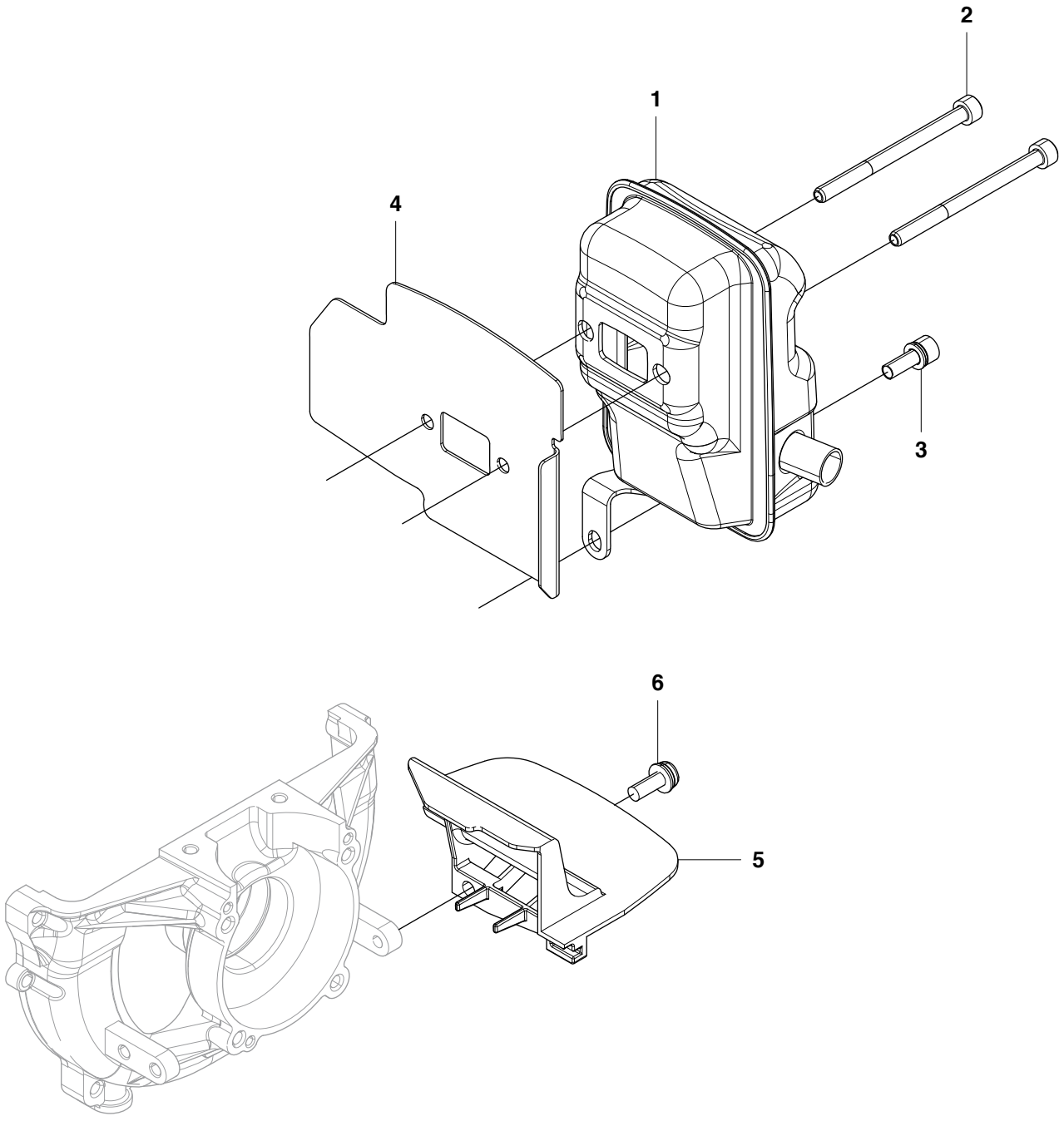
G 143RII
CYLINDER COVER



Page G 143R11 CYLINDER COVER

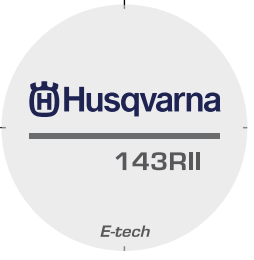
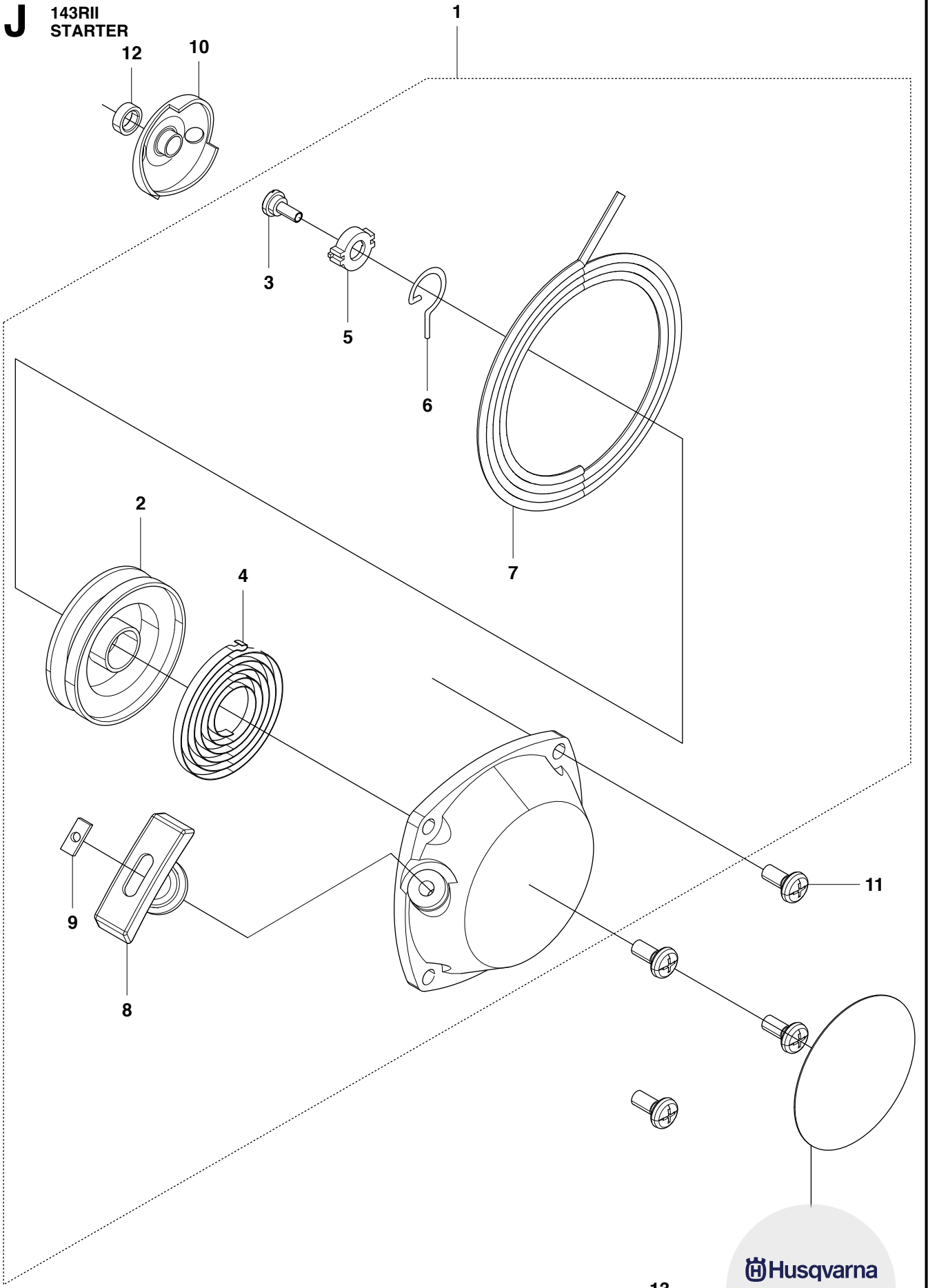
Position	Article	Quantity	Notes	Kit
1	505 30 05-01	1		
2	505 30 06-01	4		
3	505 30 11-01	1		
4	505 30 13-01	1		
5	522 78 05-01	1		

H 143R11
MUFFLER



Page H 143RII MUFFLER				
Position	Article	Quantity	Notes	Kit
1	505 29 93-01	1		
2	505 29 94-01	2		
3	505 29 95-01	1		
4	505 29 96-01	1		
5	505 29 97-01	1		
6	505 29 98-01	1		

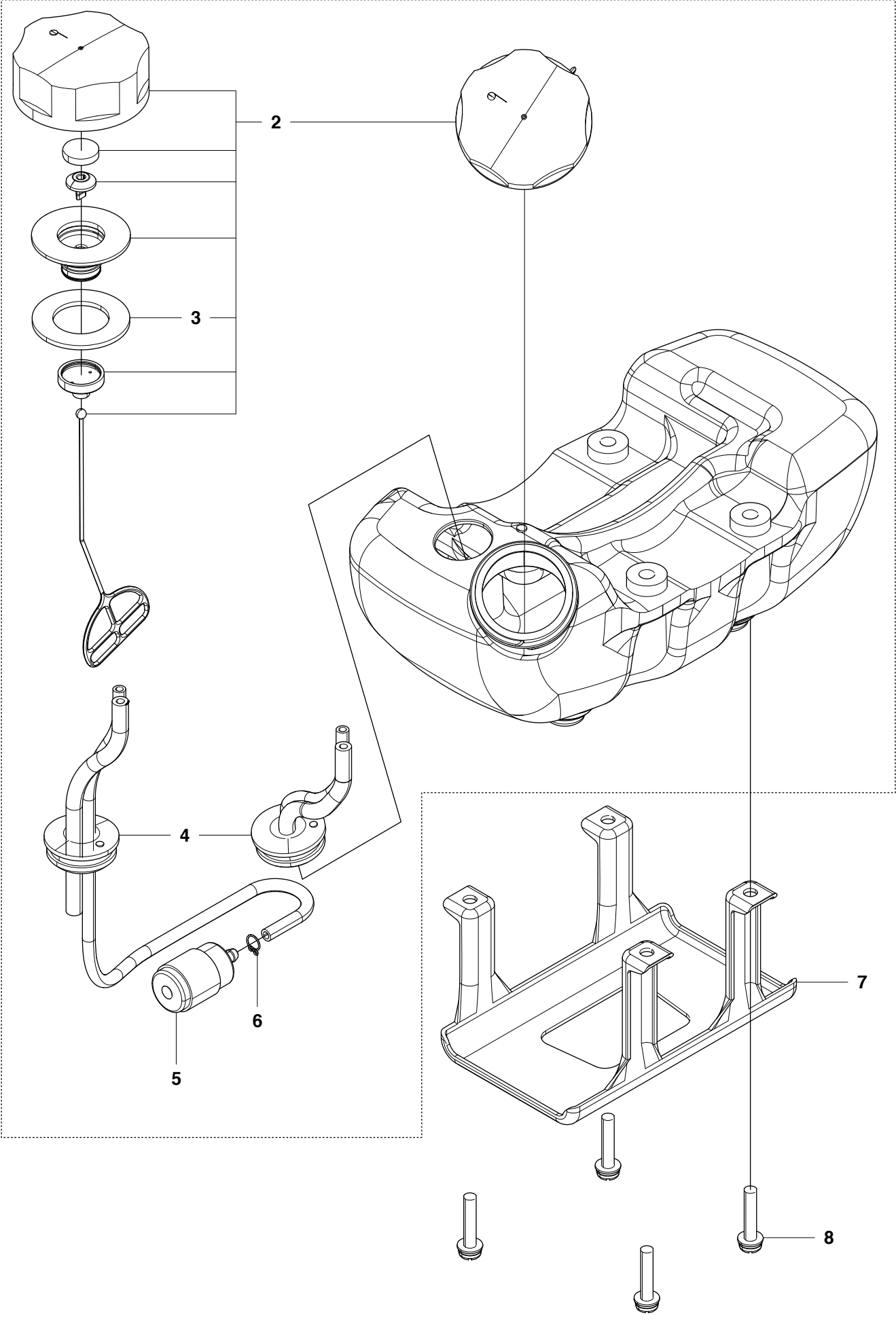
J 143R11
STARTER



Page J 143R11 STARTER				
Position	Article	Quantity	Notes	Kit
1	505 30 17-01	1		
2	505 30 18-01	1		1
3	505 30 19-01	1		1
4	505 30 22-01	1		1
5	505 30 25-01	1		1
6	505 30 26-01	1		1
7	505 30 28-01	1		1
8	505 30 34-01	1		1
9	505 30 39-01	1		1
10	505 30 43-01	1		
11	505 30 44-01	4		
12	505 30 46-01	1		
13	505 31 14-01	1		

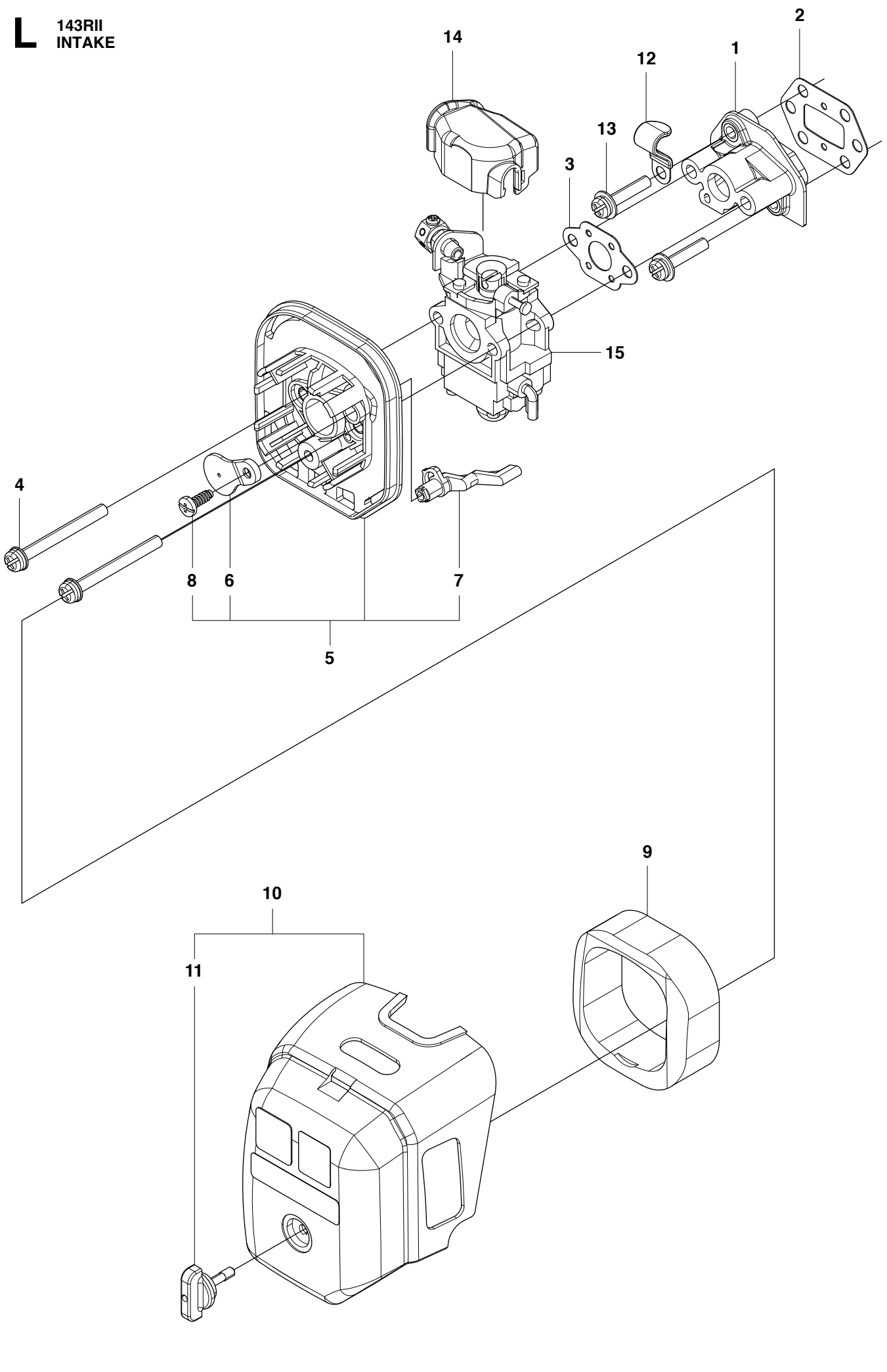
K 143R11
TANK

1



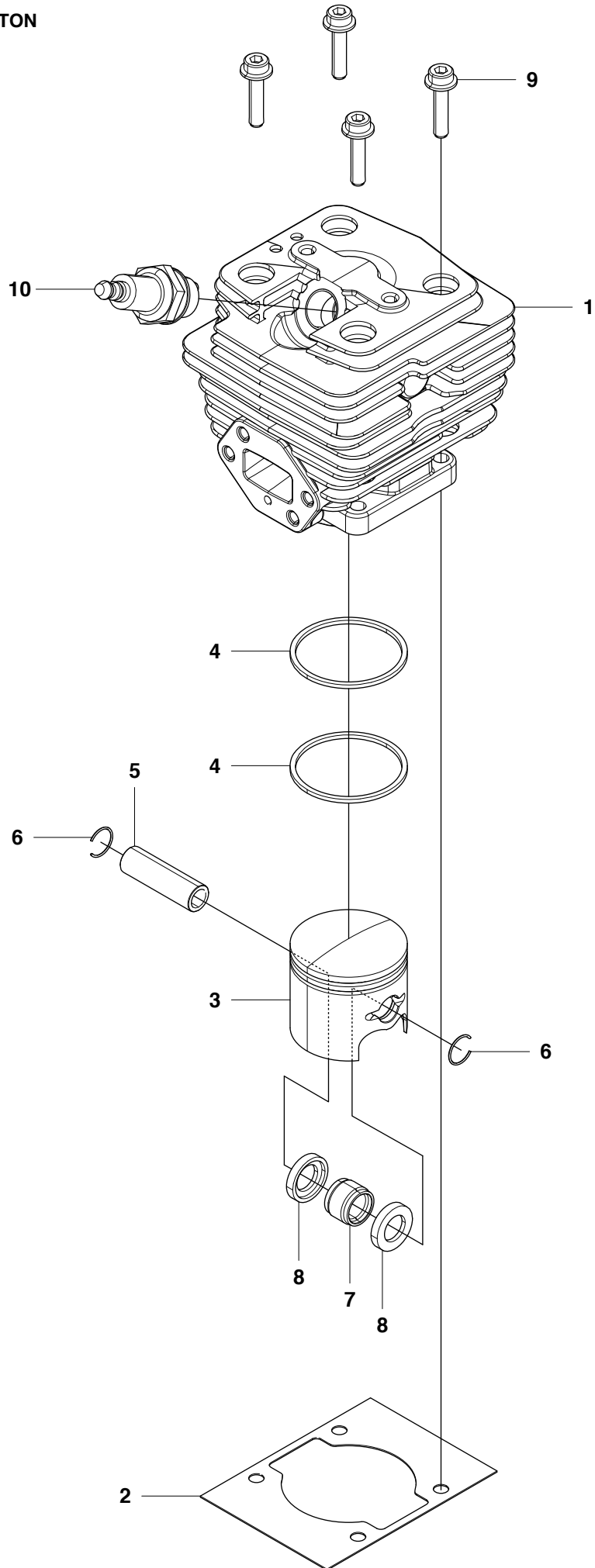
Page K 143RII TANK				
Position	Article	Quantity	Notes	Kit
1	505 30 95-01	1		
2	505 30 96-01	1		1
3	505 30 99-01	1		1
4	505 31 03-01	1		1
5	505 31 05-01	1		1
6	505 31 08-01	1		1
7	505 31 09-01	1		
8	505 31 10-01	4		

L 143RII
INTAKE



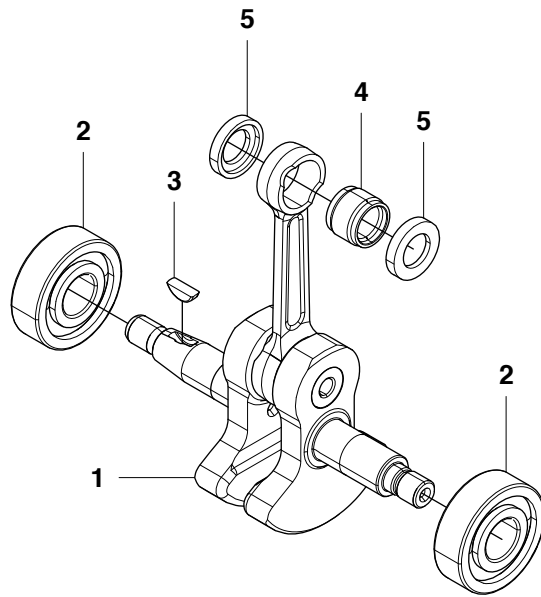
Page L 143RII INTAKE				
Position	Article	Quantity	Notes	Kit
1	505 30 47-01	1		
2	505 30 49-01	1		
3	505 30 50-01	1		
4	505 30 87-01	2		
5	505 30 88-01	1		
6	505 30 89-01	1		5
7	505 30 90-01	1		5
8	505 30 91-01	1		5
9	505 30 92-01	1		
10	505 30 93-01	1		
11	505 30 94-01	1		10
12	505 30 15-01	1		
13	505 30 48-01	2		
14	505 31 60-01	1		
15	505 30 53-01	1		

M 143R11
CYLINDER & PISTON



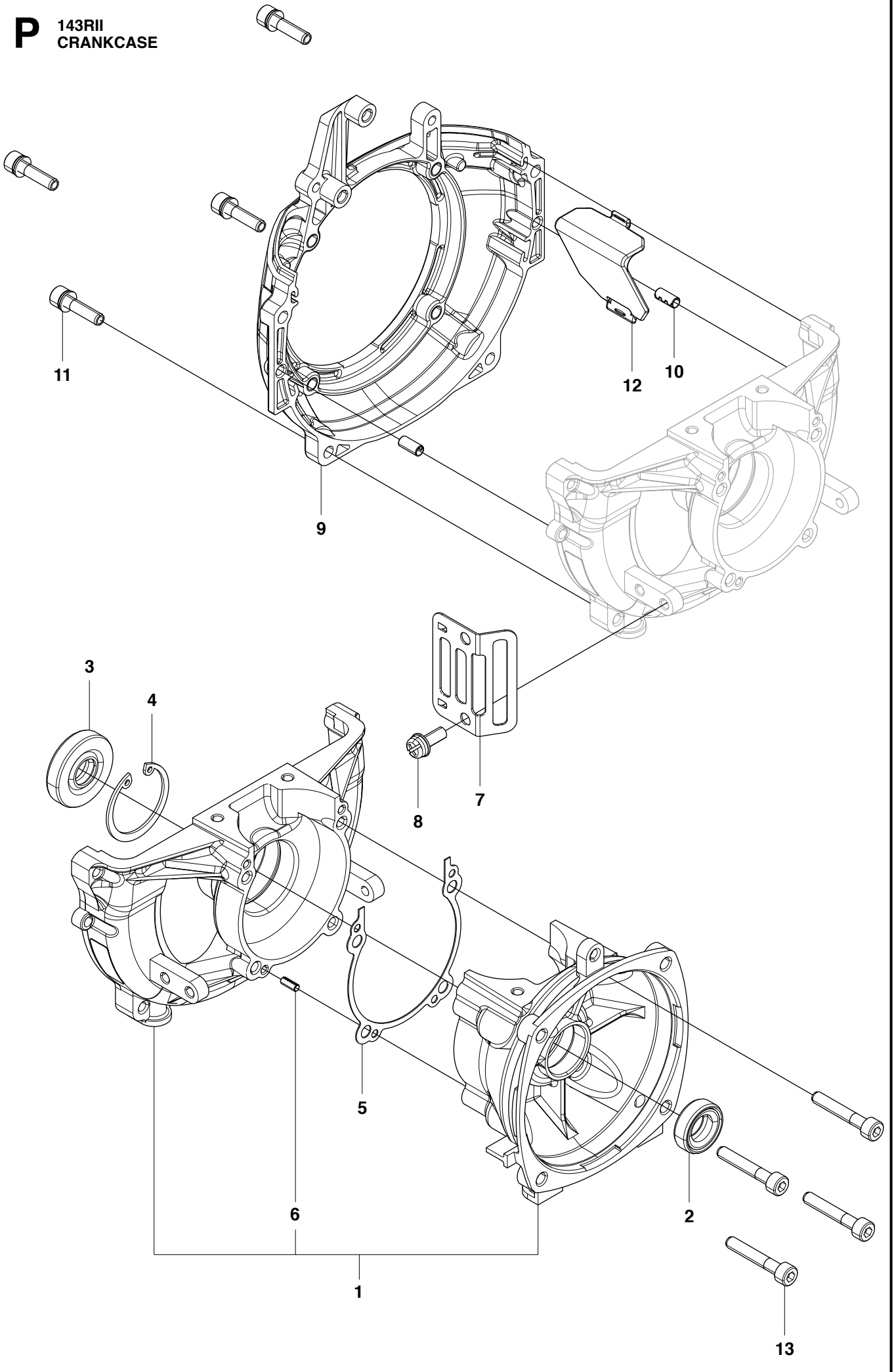
Page M 143RII CYLINDER & PISTON				
Position	Article	Quantity	Notes	Kit
1	510 06 42-01	1		
2	510 06 43-01	1		
3	505 29 69-01	1		
4	505 29 70-01	2		
5	505 29 71-01	1		
6	505 29 72-01	2		
7	505 29 73-01	1		
8	505 29 74-01	2		
9	503 20 07-78	4		
10	503 23 51-11	1		

N 143R11
CRANKSHAFT



Page N 143R11 CRANKSHAFT				
Position	Article	Quantity	Notes	Kit
1	505 29 75-01	1		
2	505 29 65-01	2		
3	505 29 92-01	1		
4	505 29 73-01	1		
5	505 29 74-01	2		

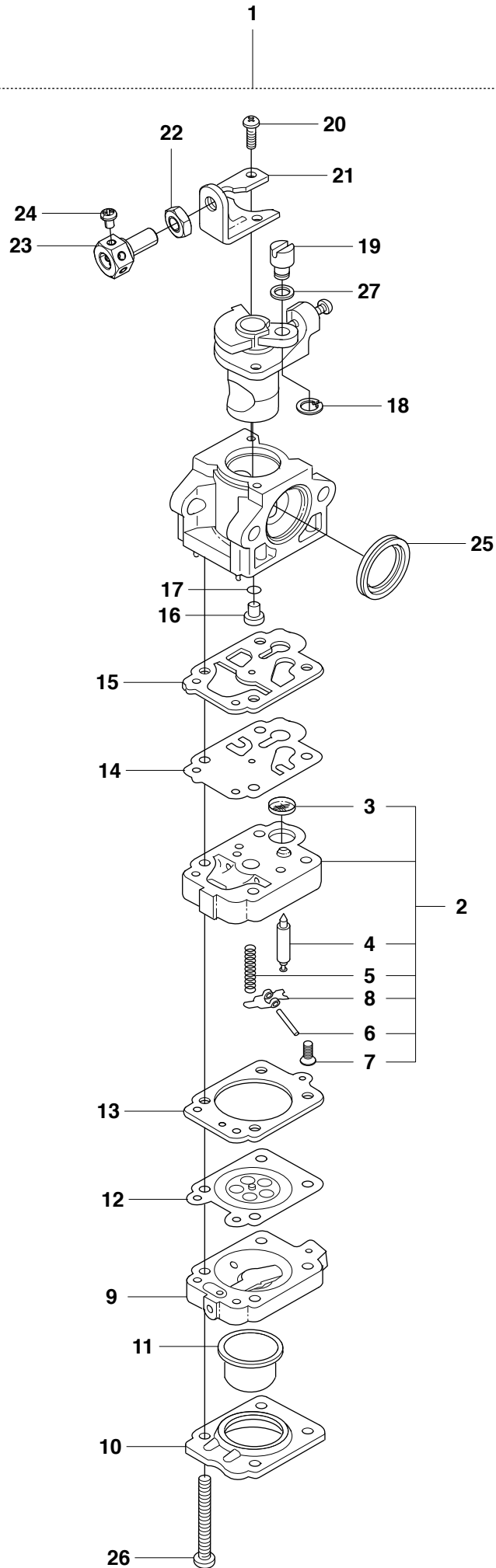
P 143R11
CRANKCASE



Page P 143RII CRANKCASE

Position	Article	Quantity	Notes	Kit
1	505 29 60-01	1		
2	505 29 66-01	1		
3	505 29 67-01	1		
4	516 12 58-01	1		
5	505 29 64-01	1		
6	505 29 61-01	3		1
7	505 29 62-01	1		
8	516 11 31-01	1		
9	505 29 99-01	1		
10	505 30 00-01	2		
11	505 30 02-01	4		
12	505 30 04-01	1		
13	725 53 35-55	4		

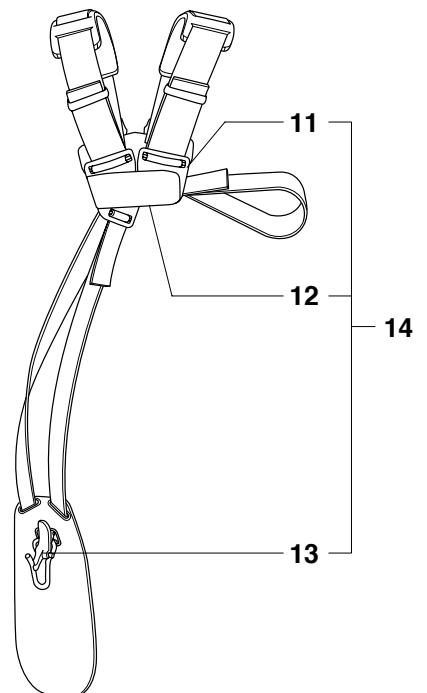
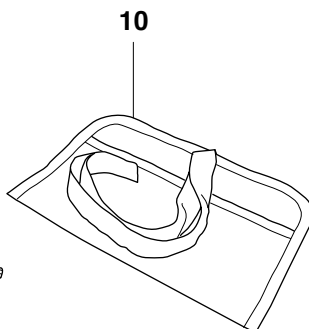
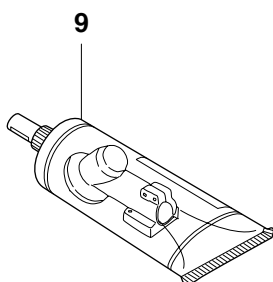
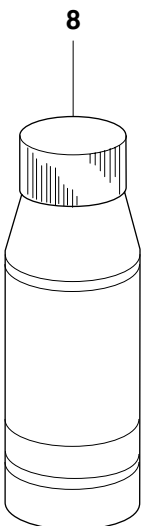
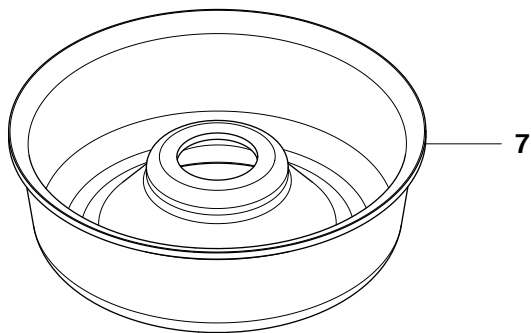
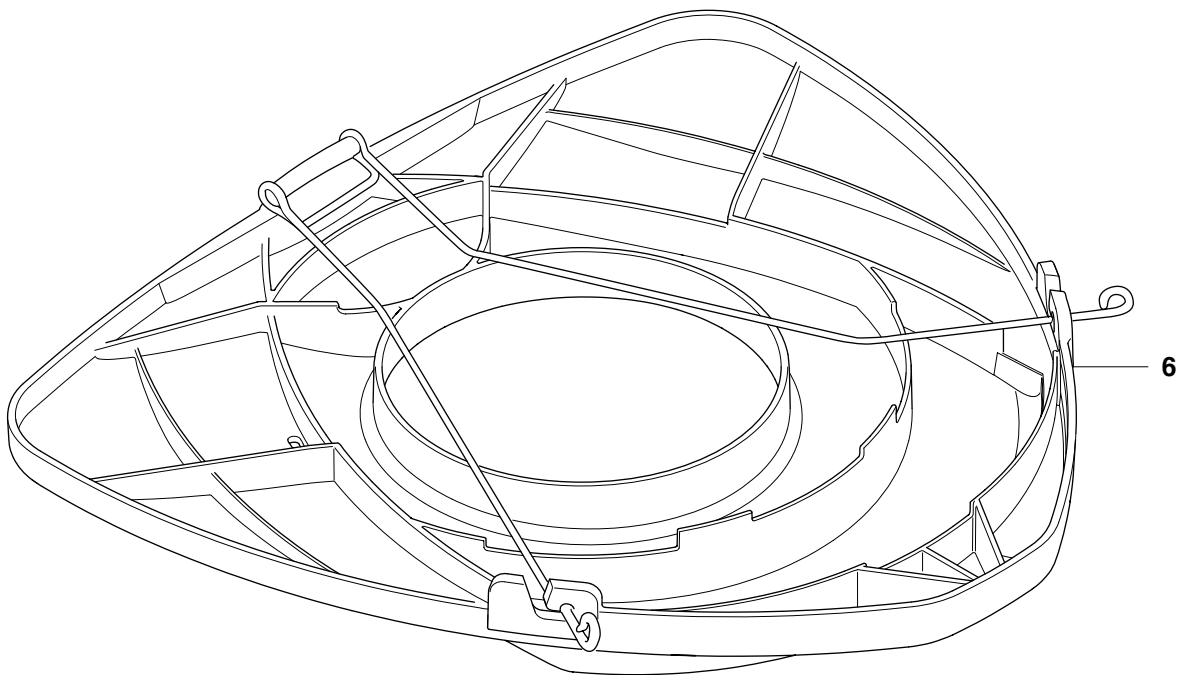
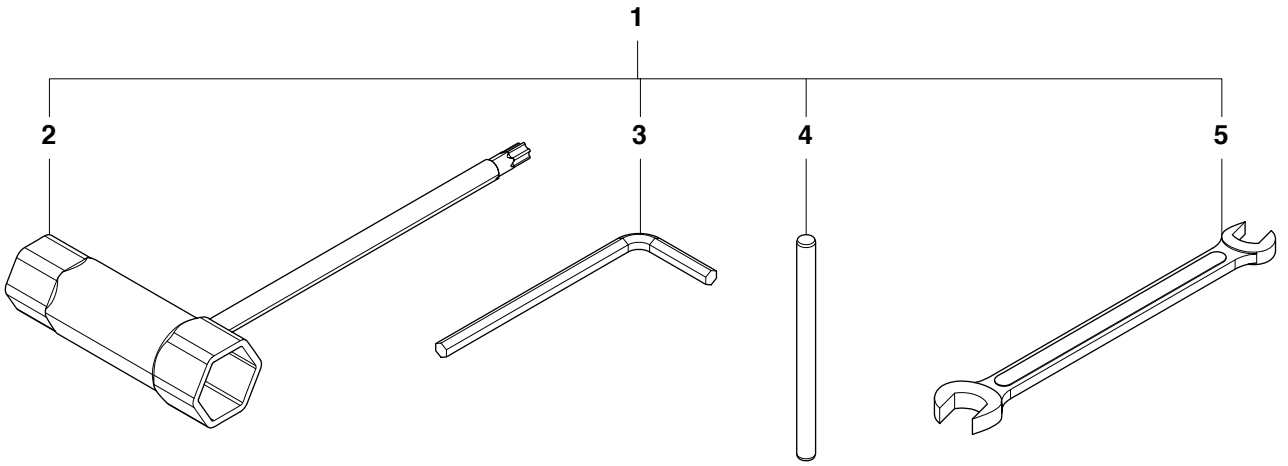
Q 143R11
CARBURETTOR



Page Q 143RII CARBURETTOR

Position	Article	Quantity	Notes	Kit
1	505 30 53-01	1		
2	505 30 54-01	1		1,2
3	505 30 55-01	1		1,2
4	505 30 57-01	1		1,2
5	505 30 60-01	1		1,2
6	505 30 62-01	1		1,2
7	505 30 61-01	1		1,2
8	505 30 64-01	1		1,2
9	505 30 65-01	1		1
10	505 30 66-01	1		1
11	505 30 67-01	1		1
12	505 30 68-01	1		1
13	505 30 69-01	1		1
14	505 30 70-01	1		1
15	505 30 72-01	1		1
16	505 30 74-01	1		1
17	505 30 75-01	1		1
18	505 30 77-01	1		1
19	505 30 78-01	1		1
20	505 30 79-01	2		1
21	505 30 80-01	1		1
22	731 23 14-01	1		1
23	505 30 82-01	1		1
24	505 30 83-01	1		1
25	505 30 84-01	1		1
26	505 30 85-01	4		1
27	505 30 86-01	1		1

S 143R11
ACCESSORIES

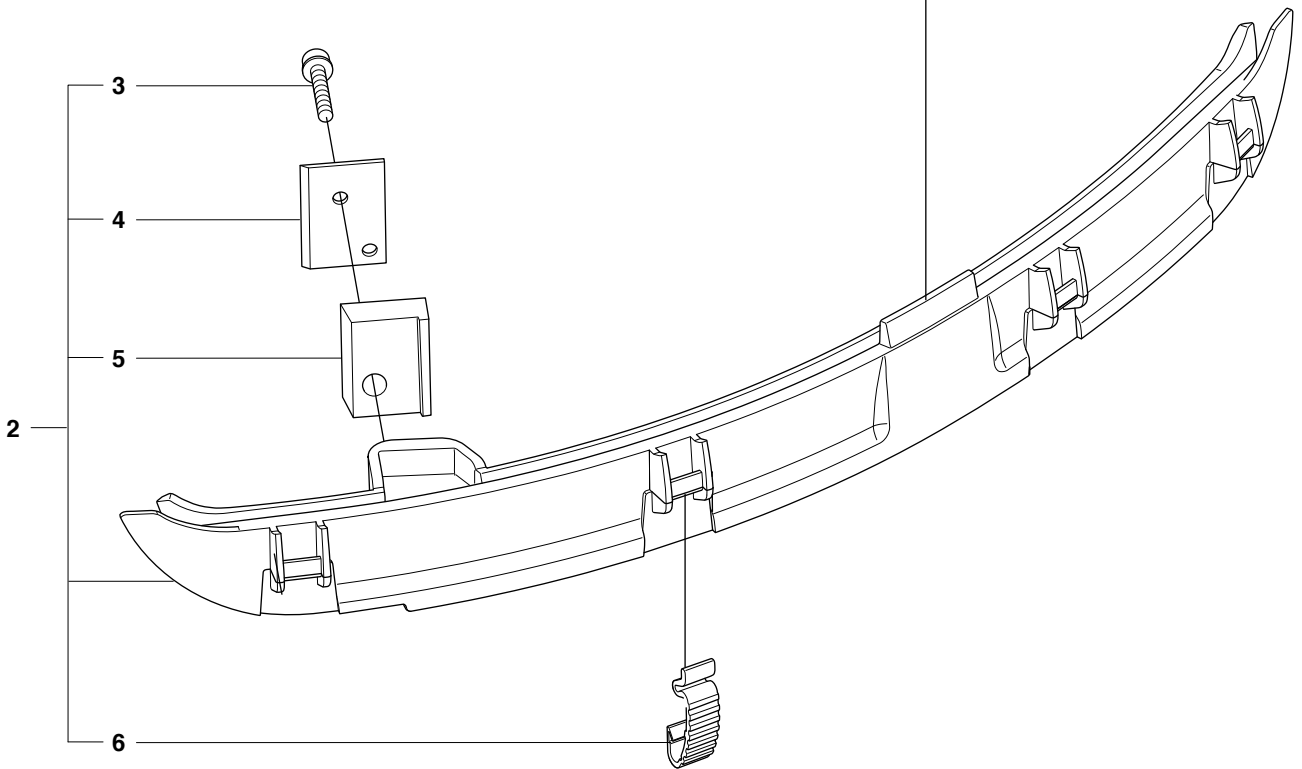
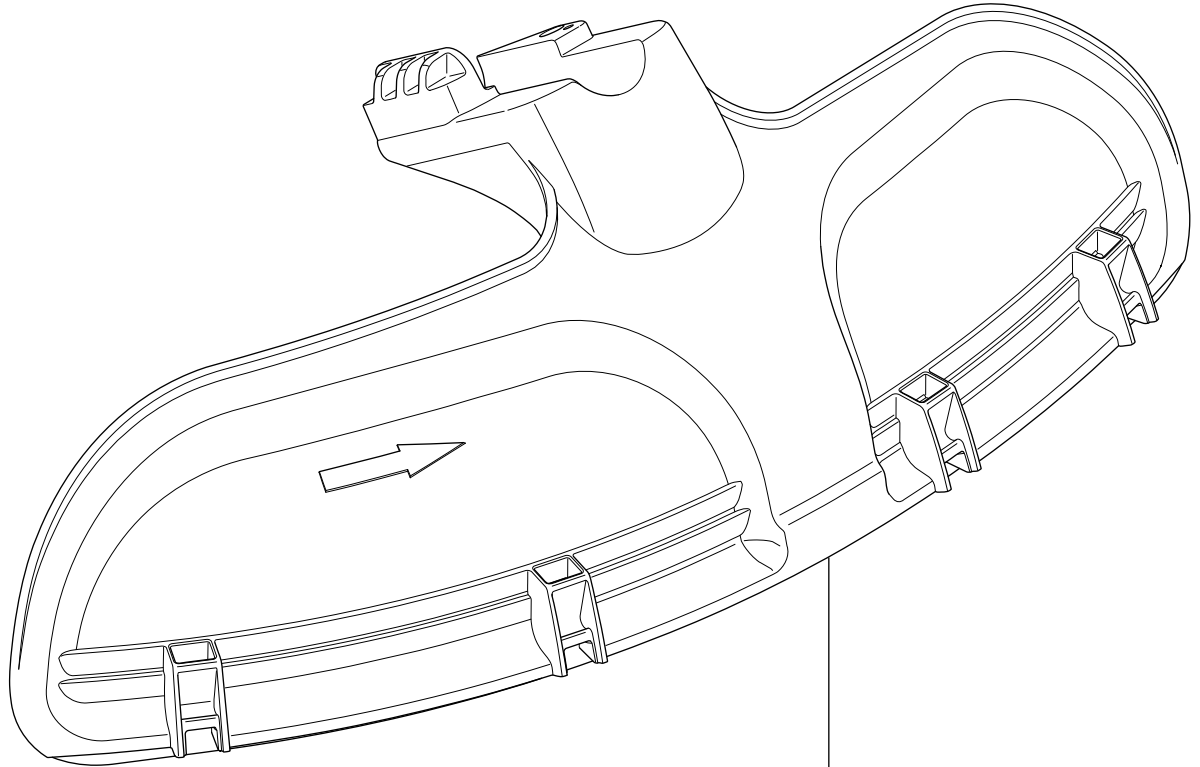


Page S 143RII ACCESSORIES

Position	Article	Quantity	Notes	Kit
1	505 31 16-01	1		
2	505 31 18-01	1		1
3	505 31 19-01	1		1
4	505 31 20-01	1		1
5	505 31 23-01	1		1
6	544 35 91-01	1		
7	516 01 45-01	1		
8	531 00 92-48	1		
9	503 97 64-01	1		
10	501 19 22-01	1		
11	503 73 40-01	1		14
12	503 73 41-02	1		14
13	502 02 28-02	1		14
14	537 21 63-01	1		

T 143R11
ACCESSORIES

2



Page T 143RII ACCESSORIES

Position	Article	Quantity	Notes	Kit
1	537 33 16-03	1		
2	537 39 63-03	1		1
3	503 21 68-25	1		1,2
4	503 79 88-01	1		1,2
5	544 12 45-01	1		1,2
6	537 38 72-01	4		1,2